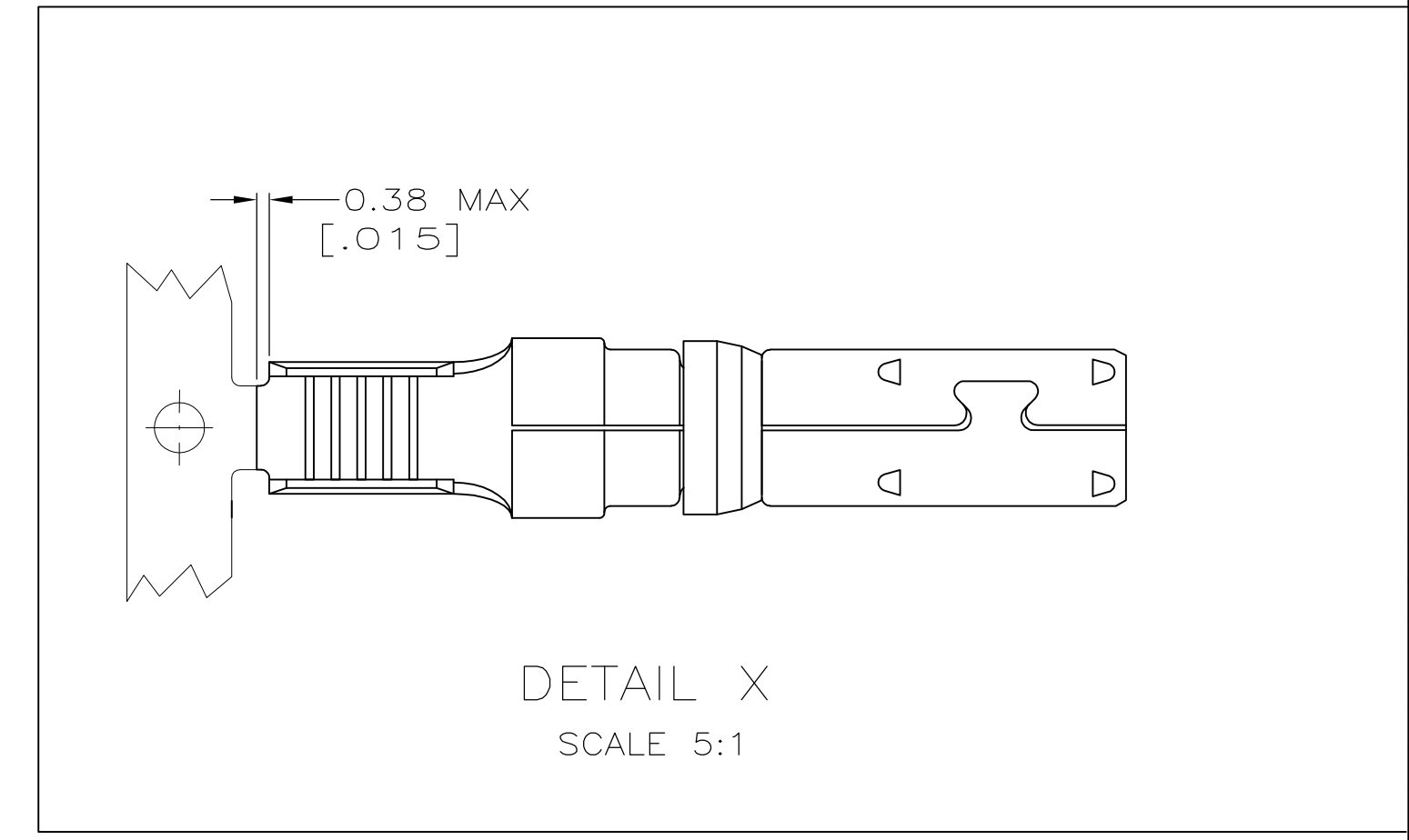
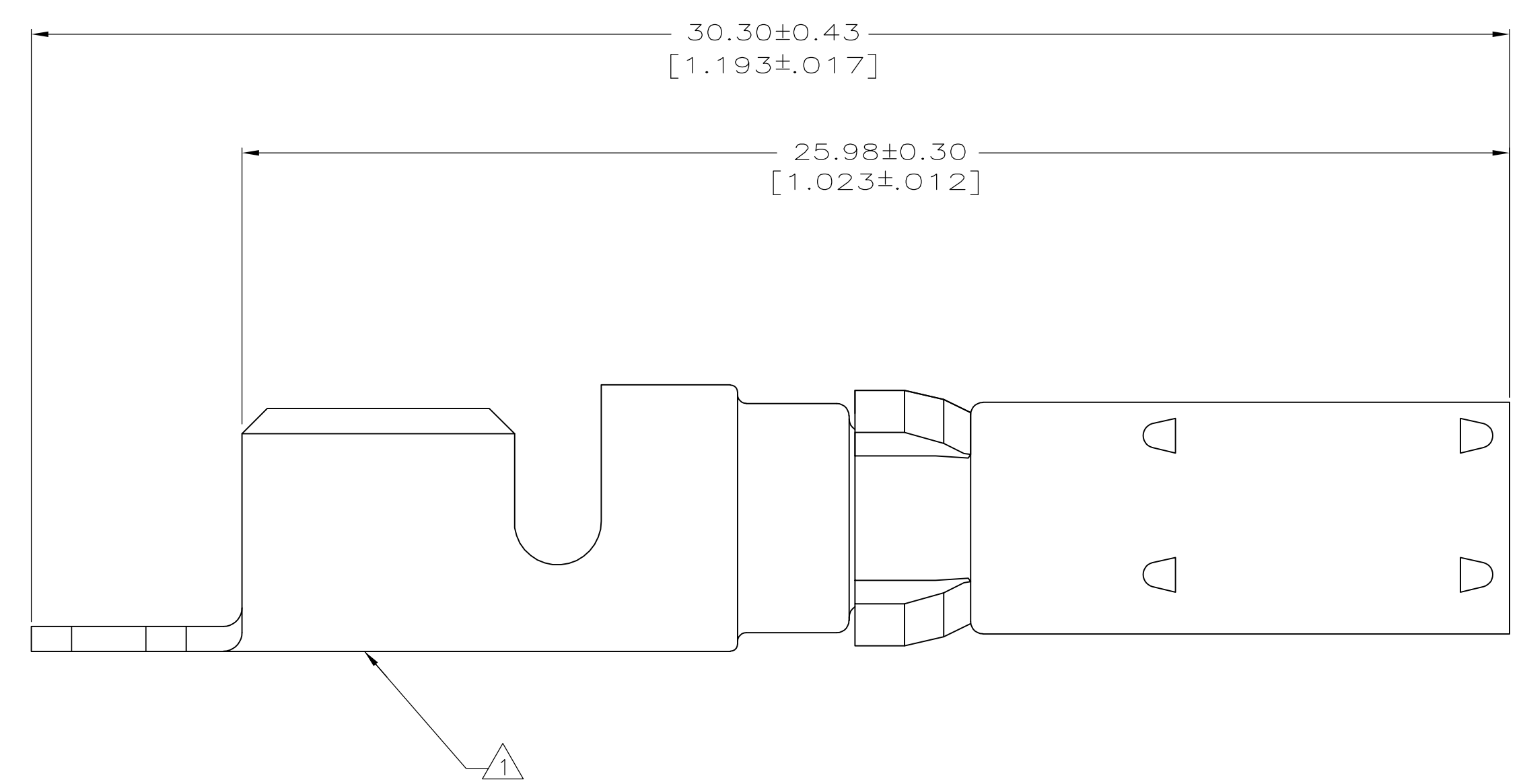
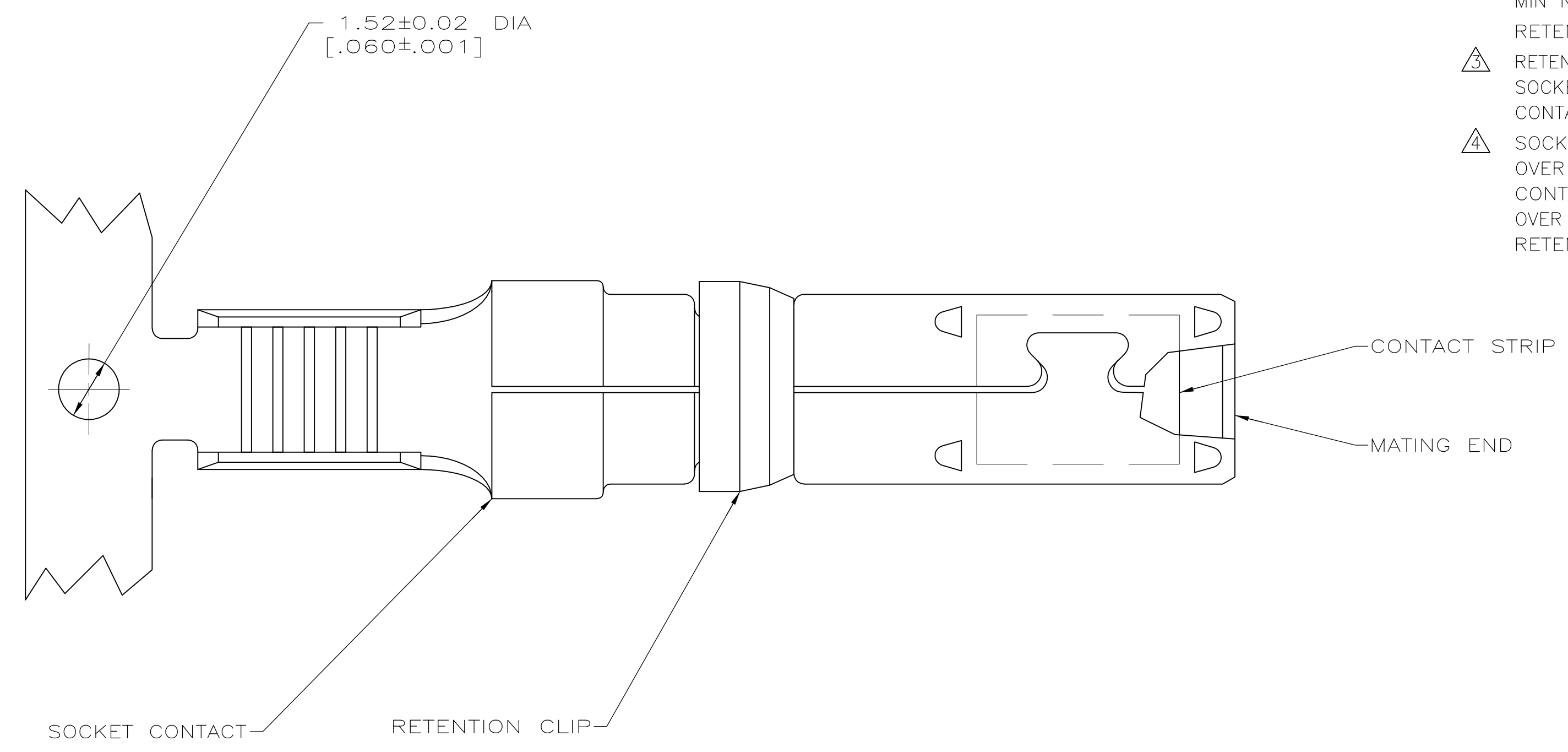


LOC		DIST		REVISIONS			
P	LTR	DESCRIPTION	DATE	DWN	APP'D		
B1		REVISED PER ECO-11-004917	11MAR11	RK	HMR		

- ⚠ WIRE SIZE AND AMP LOGO APPEAR ON OUTSIDE OF WIRE BARREL.
- ⚠ SOCKET & STRIP CONTACT: 0.76 μ [.000030] MIN GOLD PER MIL-G-45204 ON CONTACT MATING END, GOLD FLASH ON REMAINDER, ALL OVER 1.27 μ m [.000050] MIN NICKEL PER QQ-N-390.
- RETENTION CLIP: 2.54 μ m [.000100] MIN NICKEL PER QQ-N-290.
- ⚠ RETENTION CLIP: PHOSPHOR BRONZE PER QQ-B-750.
SOCKET CONTACT: COPPER PER QQ-C-576.
CONTACT STRIP: BERYLLIUM COPPER PER QQ-C-533.
- ⚠ SOCKET CONTACT: 1.27 μ m [.000050] MIN SILVER PER QQ-S-365, ALL OVER 1.27 μ m [.000050] MIN NICKEL PER QQ-N-290.
CONTACT STRIP: 5.08 μ m [.000200] MIN SILVER PER QQ-S-365, ALL OVER 1.02 μ m [.000040] MIN NICKEL PER QQ-N-290.
RETENTION CLIP: 2.54 μ m [.000100] MIN NICKEL PER QQ-N-290.



2	DETAIL X	213847-4
4	DETAIL X	213847-3
2	-	213847-2
4	-	213847-1
FINISH	LOOSE PIECE	PART NUMBER

THIS DRAWING IS A CONTROLLED DOCUMENT.

DIMENSIONS:	TOLERANCES UNLESS OTHERWISE SPECIFIED:	DWN	30 JUL 96	TE Connectivity			
mm(INCHES)	0 PLC ± -	CHK	05 AUG 96				
	1 PLC ± -	APP'D	06 AUG 96				
	2 PLC ± -	NAME					
	3 PLC ± -	W.G. LENKER R. STONE G. STEINHAUER		SOCKET CONTACT ASSEMBLY, 14-12 AWG, .125 POWERBAND			
	4 PLC ± -	PRODUCT SPEC APPLICATION SPEC					
MATERIAL	FINISH SEE TABLE	WEIGHT		SIZE	CAGE CODE	DRAWING NO	RESTRICTED TO
				A1	00779	213847	
CUSTOMER DRAWING				SCALE	10:1	SHEET	1 OF 1

单击下面可查看定价，库存，交付和生命周期等信息

[>>TE Connectivity\(泰科\)](#)