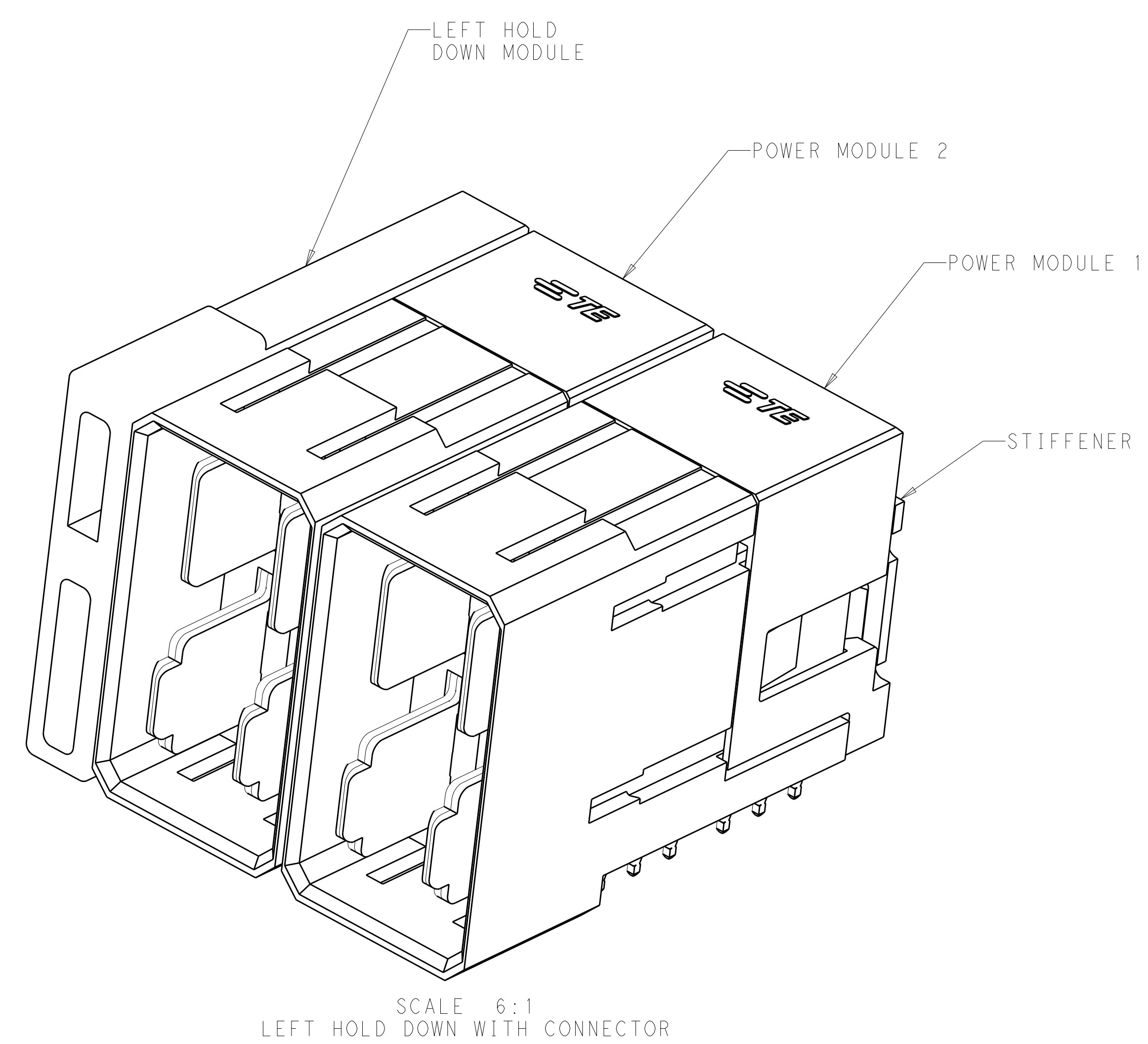


| LOC | | DIST | | REVISIONS | | | |
|-----|----|------|-----|-----------------------|-----------|-----|------|
| GP | 00 | P | LTN | DESCRIPTION | DATE | DWN | APVD |
| | | A | | INITIAL RELEASE | 24MAY2012 | LW | AC |
| | | A1 | | REV PER ECR-12-010636 | 19JUN2012 | LW | AC |



- NOTES:
- 1. MATERIALS:
 HOUSING: HIGH TEMP. THERMOPLASTIC GLASS/MINERAL FILLED UL94V-0
 TERMINAL: COPPER ALLOY
 - 2. FINISH:
 TIN OPTION-0.76um MIN GOLD AT CONTACT AREA AND
 1.27um MIN NICKEL UNDERPLATED OVER ALL
 2.54um TIN AT SOLDER TAIL AREA
 TIN-LEAD OPTION-0.76um MIN GOLD AT CONTACT AREA AND
 1.27um MIN NICKEL UNDERPLATED OVER ALL
 2.54um TIN-LEAD AT SOLDER TAIL AREA
 - 3. REFER TO TE'S PRODUCT SPECIFICATION:108-2473 FOR PLATED THROUGH-HOLE SPECIFICATION AND TORQUE FORCE
 - 4. CONNECTOR WERE PACKED BY TRAY
 REFER TO TE'S PACKAGING SPECIFICATION:107-97874
 - 5. MATED WITH 2169809-*
 - 6. LASER MARK PART NUMBER AND DATE CODE (YYWWDS) CAN BE AT THE OPPOSITE SIDE
 - 7. ADD 11.40MM FOR EACH ADDITIONAL MODULE
 - 8. REFER TO DOCUMENT NUMBER:2169802 FOR INDIVIDUAL MODULE COMPONENT INFORMATION
 - 9. FIRST POWER MODULE(1#) STARTS FROM THE RIGHT
 - 10. DIMENSION P1&P2 FOR POWER MODULE 1, P3&P4 FOR POWER MODULE 2
 - 11. COMPONENT STAY AWAY ZONE FROM CONNECTOR
 - 12. ALL PARTS ARE SHIPPED WITH A 2-32 AB TYPE SELF-TAPPING SCREW P/N:2057509-2

| STATUS | PACKAGING | PLATING TYP | P4 | P3 | P2 | P1 | DIM A | NUMBER OF POWER MODULE | PART NUMBER |
|----------|-----------|-------------|------|------|------|------|-------|------------------------|-------------|
| OBSOLETE | | | 6.90 | 5.70 | 6.90 | 5.70 | 26.40 | 2X | 7-2180488-0 |
| OBSOLETE | | | 6.90 | 5.70 | 5.70 | 6.90 | 26.40 | 2X | 6-2180488-9 |
| OBSOLETE | | | 6.90 | 5.70 | 5.70 | 5.70 | 26.40 | 2X | 6-2180488-8 |
| OBSOLETE | | | 6.90 | 5.70 | 6.90 | 6.90 | 26.40 | 2X | 6-2180488-7 |
| OBSOLETE | | | 5.70 | 6.90 | 6.90 | 5.70 | 26.40 | 2X | 6-2180488-6 |
| OBSOLETE | | | 5.70 | 6.90 | 5.70 | 6.90 | 26.40 | 2X | 6-2180488-5 |
| OBSOLETE | | | 5.70 | 6.90 | 5.70 | 5.70 | 26.40 | 2X | 6-2180488-4 |
| OBSOLETE | | | 5.70 | 6.90 | 6.90 | 6.90 | 26.40 | 2X | 6-2180488-3 |
| OBSOLETE | | | 5.70 | 5.70 | 6.90 | 5.70 | 26.40 | 2X | 6-2180488-2 |
| OBSOLETE | | | 5.70 | 5.70 | 5.70 | 6.90 | 26.40 | 2X | 6-2180488-1 |
| OBSOLETE | | | 5.70 | 5.70 | 5.70 | 5.70 | 26.40 | 2X | 6-2180488-0 |
| OBSOLETE | | | 5.70 | 5.70 | 6.90 | 6.90 | 26.40 | 2X | 5-2180488-9 |
| OBSOLETE | | | 6.90 | 6.90 | 6.90 | 5.70 | 26.40 | 2X | 5-2180488-8 |
| OBSOLETE | | | 6.90 | 6.90 | 5.70 | 6.90 | 26.40 | 2X | 5-2180488-7 |
| OBSOLETE | | | 6.90 | 6.90 | 6.90 | 6.90 | 26.40 | 2X | 5-2180488-6 |
| OBSOLETE | | | 6.90 | 6.90 | 6.90 | 6.90 | 26.40 | 2X | 5-2180488-5 |
| OBSOLETE | | | N/A | N/A | 6.90 | 5.70 | 15.00 | 1X | 5-2180488-4 |
| OBSOLETE | | | N/A | N/A | 5.70 | 6.90 | 15.00 | 1X | 5-2180488-3 |
| OBSOLETE | | | N/A | N/A | 5.70 | 5.70 | 15.00 | 1X | 5-2180488-2 |
| OBSOLETE | | | N/A | N/A | 6.90 | 6.90 | 15.00 | 1X | 5-2180488-1 |
| ACTIVE | | | 6.90 | 5.70 | 6.90 | 5.70 | 26.40 | 2X | 2-2180488-0 |
| ACTIVE | | | 6.90 | 5.70 | 5.70 | 6.90 | 26.40 | 2X | 1-2180488-9 |
| ACTIVE | | | 6.90 | 5.70 | 5.70 | 5.70 | 26.40 | 2X | 1-2180488-8 |
| ACTIVE | | | 6.90 | 5.70 | 6.90 | 6.90 | 26.40 | 2X | 1-2180488-7 |
| ACTIVE | | | 5.70 | 6.90 | 6.90 | 5.70 | 26.40 | 2X | 1-2180488-6 |
| ACTIVE | | | 5.70 | 6.90 | 5.70 | 6.90 | 26.40 | 2X | 1-2180488-5 |
| ACTIVE | | | 5.70 | 6.90 | 5.70 | 5.70 | 26.40 | 2X | 1-2180488-4 |
| ACTIVE | | | 5.70 | 6.90 | 6.90 | 6.90 | 26.40 | 2X | 1-2180488-3 |
| ACTIVE | | | 5.70 | 5.70 | 6.90 | 5.70 | 26.40 | 2X | 1-2180488-2 |
| ACTIVE | | | 5.70 | 5.70 | 5.70 | 6.90 | 26.40 | 2X | 1-2180488-1 |
| ACTIVE | | | 5.70 | 5.70 | 5.70 | 5.70 | 26.40 | 2X | 1-2180488-0 |
| ACTIVE | | | 5.70 | 5.70 | 6.90 | 6.90 | 26.40 | 2X | 2180488-9 |
| ACTIVE | | | 6.90 | 6.90 | 6.90 | 5.70 | 26.40 | 2X | 2180488-8 |
| ACTIVE | | | 6.90 | 6.90 | 5.70 | 6.90 | 26.40 | 2X | 2180488-7 |
| ACTIVE | | | 6.90 | 6.90 | 5.70 | 5.70 | 26.40 | 2X | 2180488-6 |
| ACTIVE | | | 6.90 | 6.90 | 6.90 | 6.90 | 26.40 | 2X | 2180488-5 |
| ACTIVE | | | N/A | N/A | 6.90 | 5.70 | 15.00 | 1X | 2180488-4 |
| ACTIVE | | | N/A | N/A | 5.70 | 6.90 | 15.00 | 1X | 2180488-3 |
| ACTIVE | | | N/A | N/A | 5.70 | 5.70 | 15.00 | 1X | 2180488-2 |
| ACTIVE | | | N/A | N/A | 6.90 | 6.90 | 15.00 | 1X | 2180488-1 |

THIS DRAWING IS A CONTROLLED DOCUMENT. DWN: LERRY WANG 06MAR2012
 CHK: SUNY ZHAO 06MAR2012
 APVD: SUNY ZHAO 06MAR2012

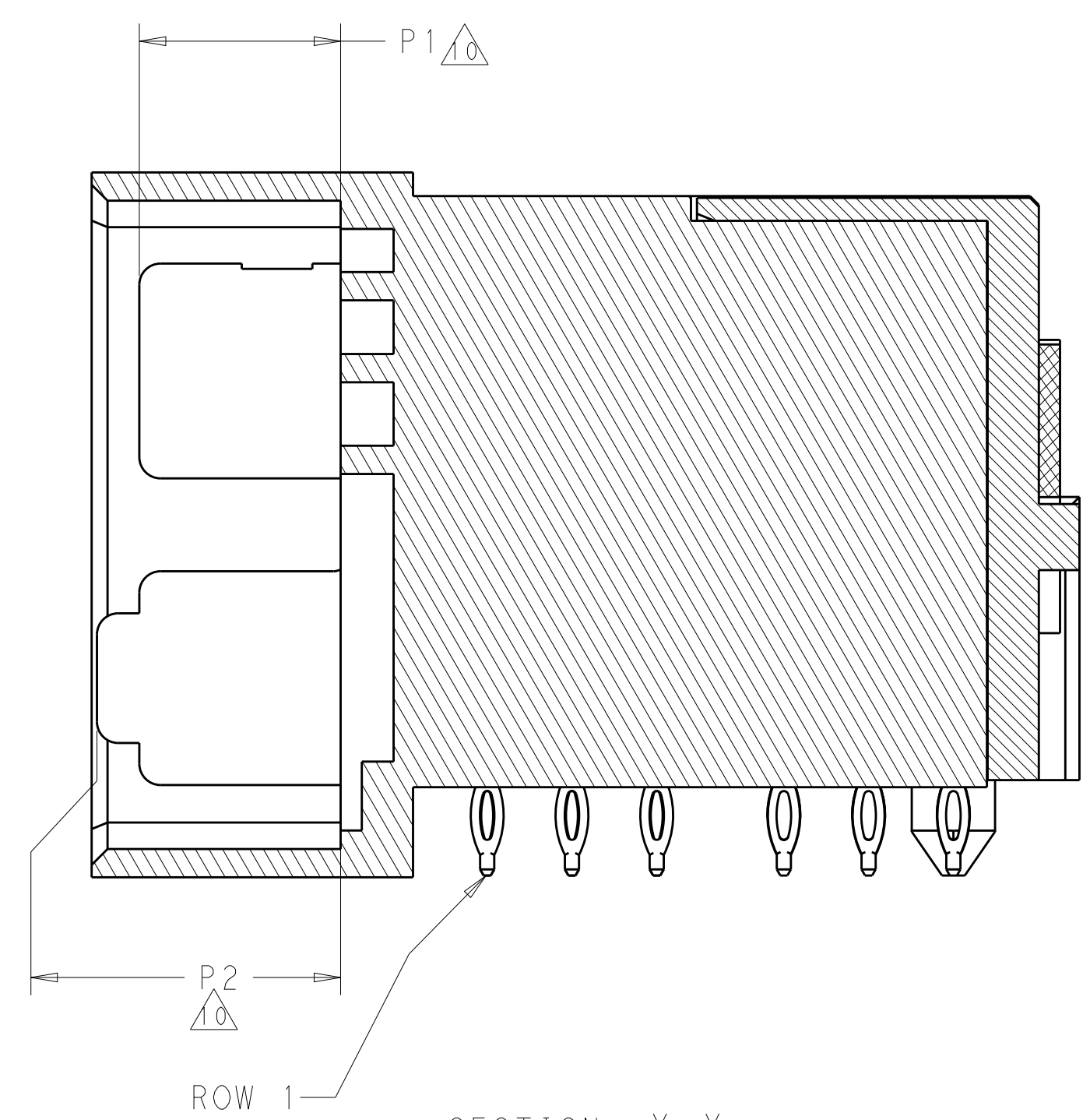
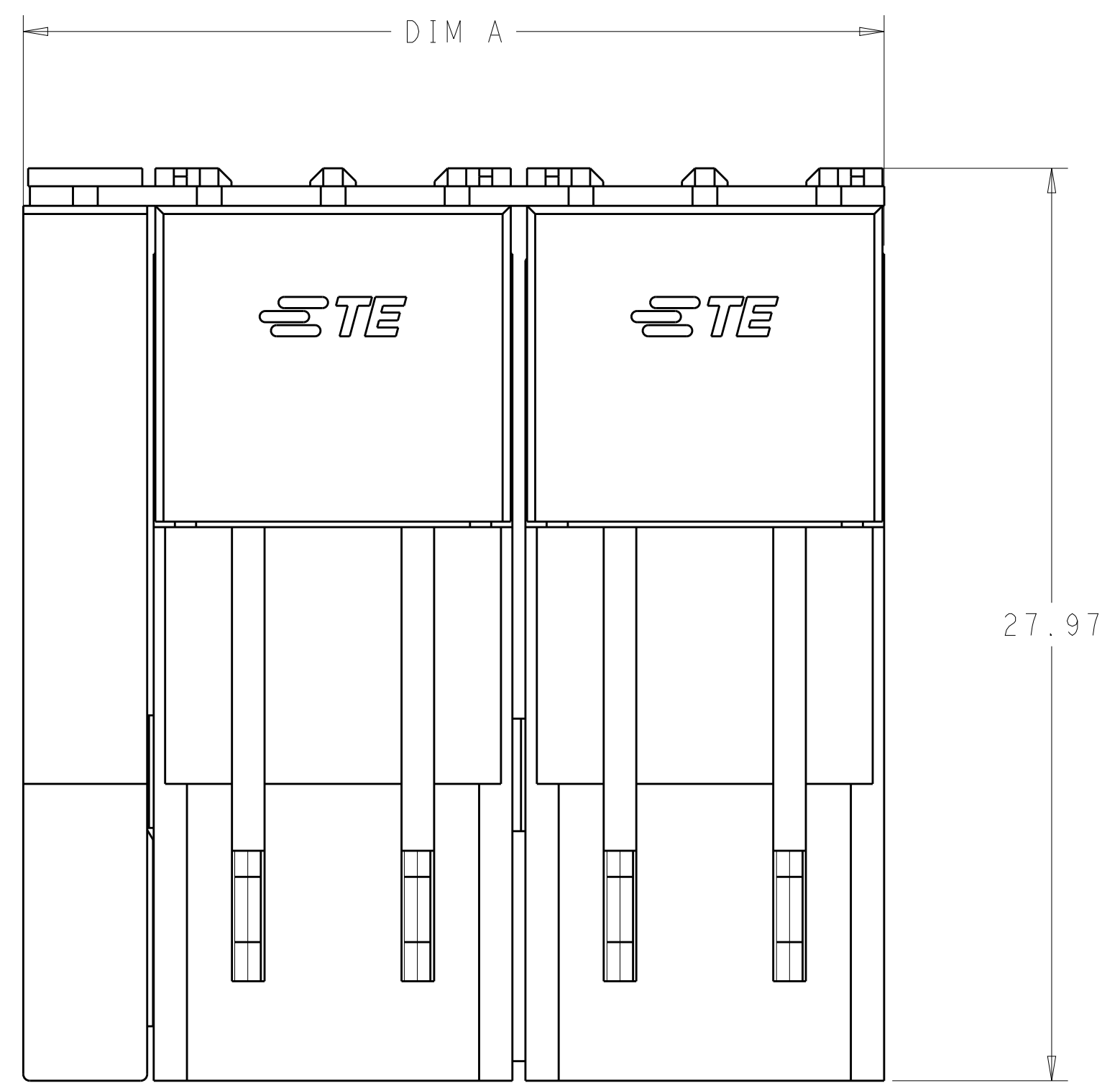
TE Connectivity

IMPACT POWER 4PAIR HEADER WITH LEFT HOLD DOWN PRESS FIT

114-32028
 100779 ©=2180488

SCALE 4:1 SHEET 1 OF 3 REV A1

| LOC | DIST | REVISIONS | | | | | |
|-----|------|-----------|-----|-------------|------|-----|------|
| GP | 00 | P | LTN | DESCRIPTION | DATE | DWN | APVD |
| - | - | - | - | SEE SHEET 1 | - | - | - |



SECTION X-X
 BLADE LOCATION P1 & P2
 SCALE 6:1

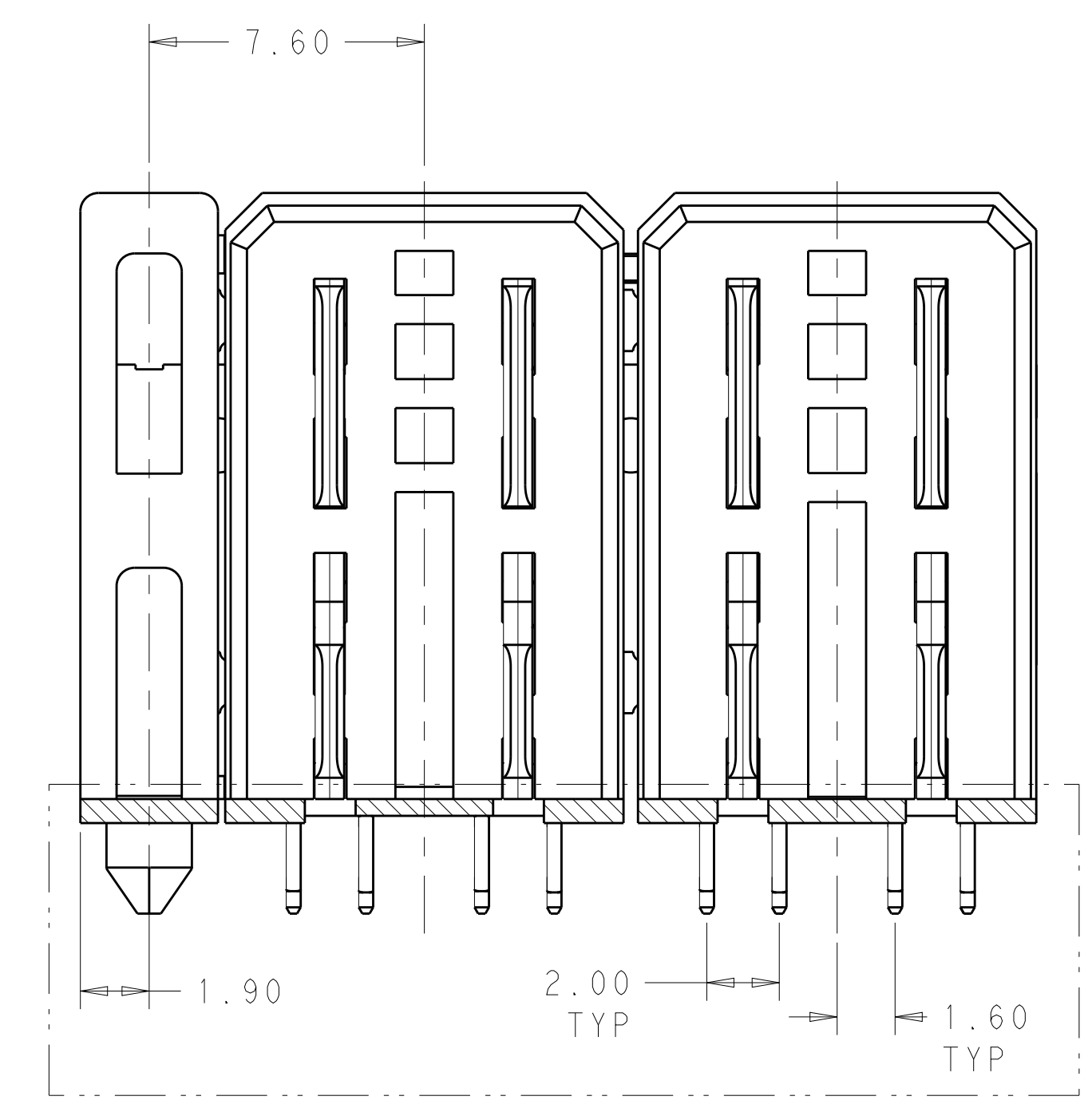
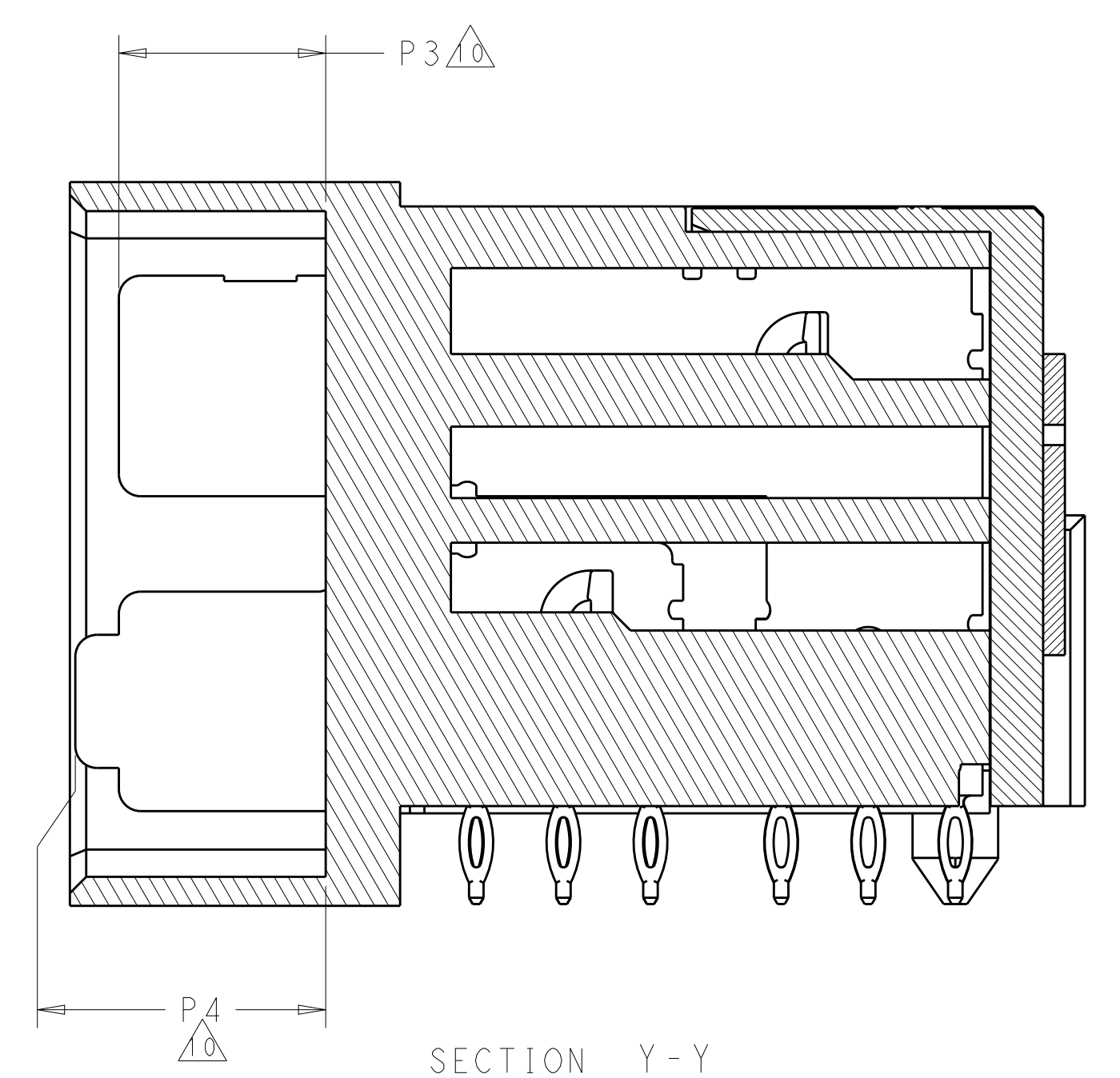
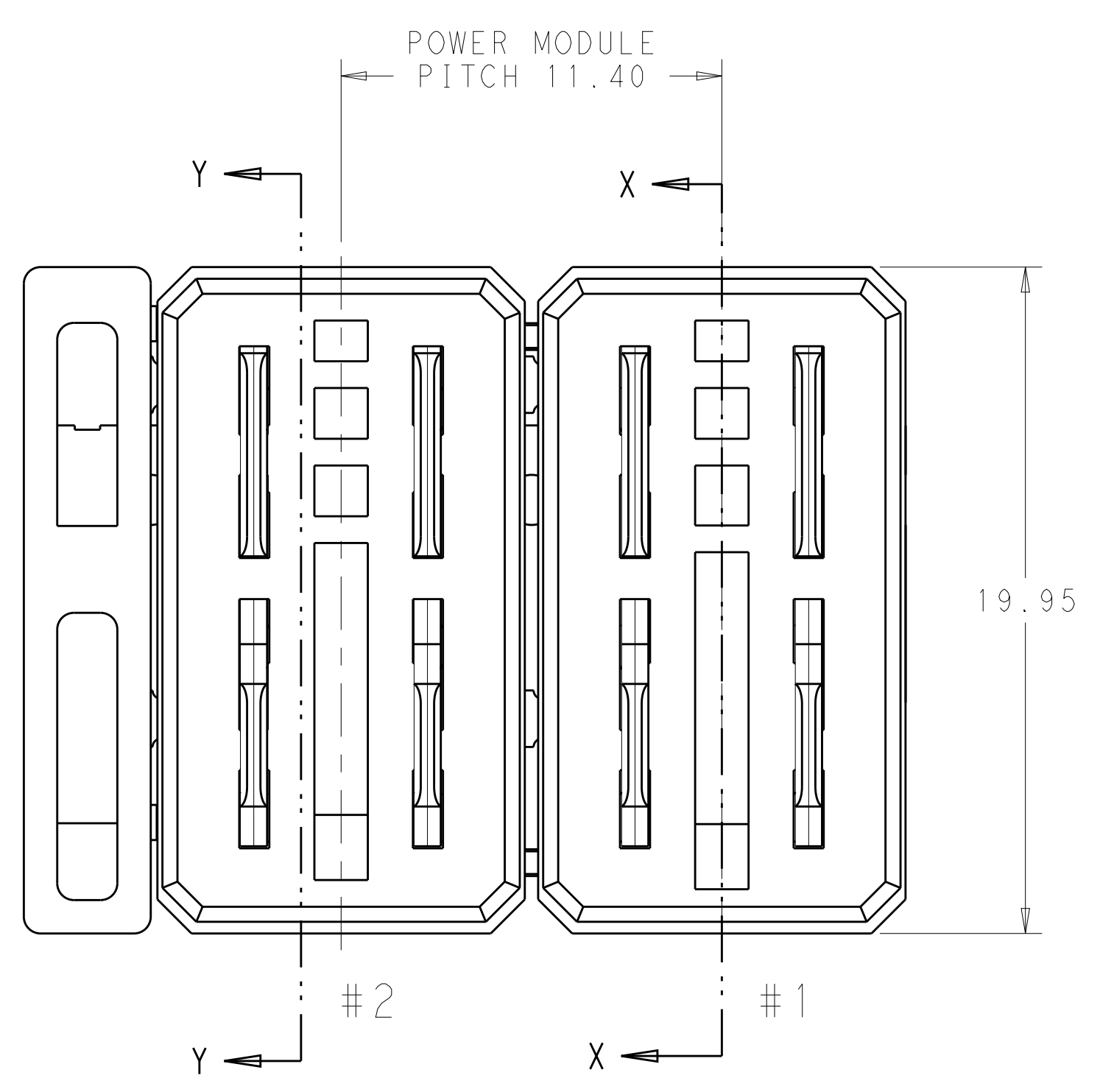
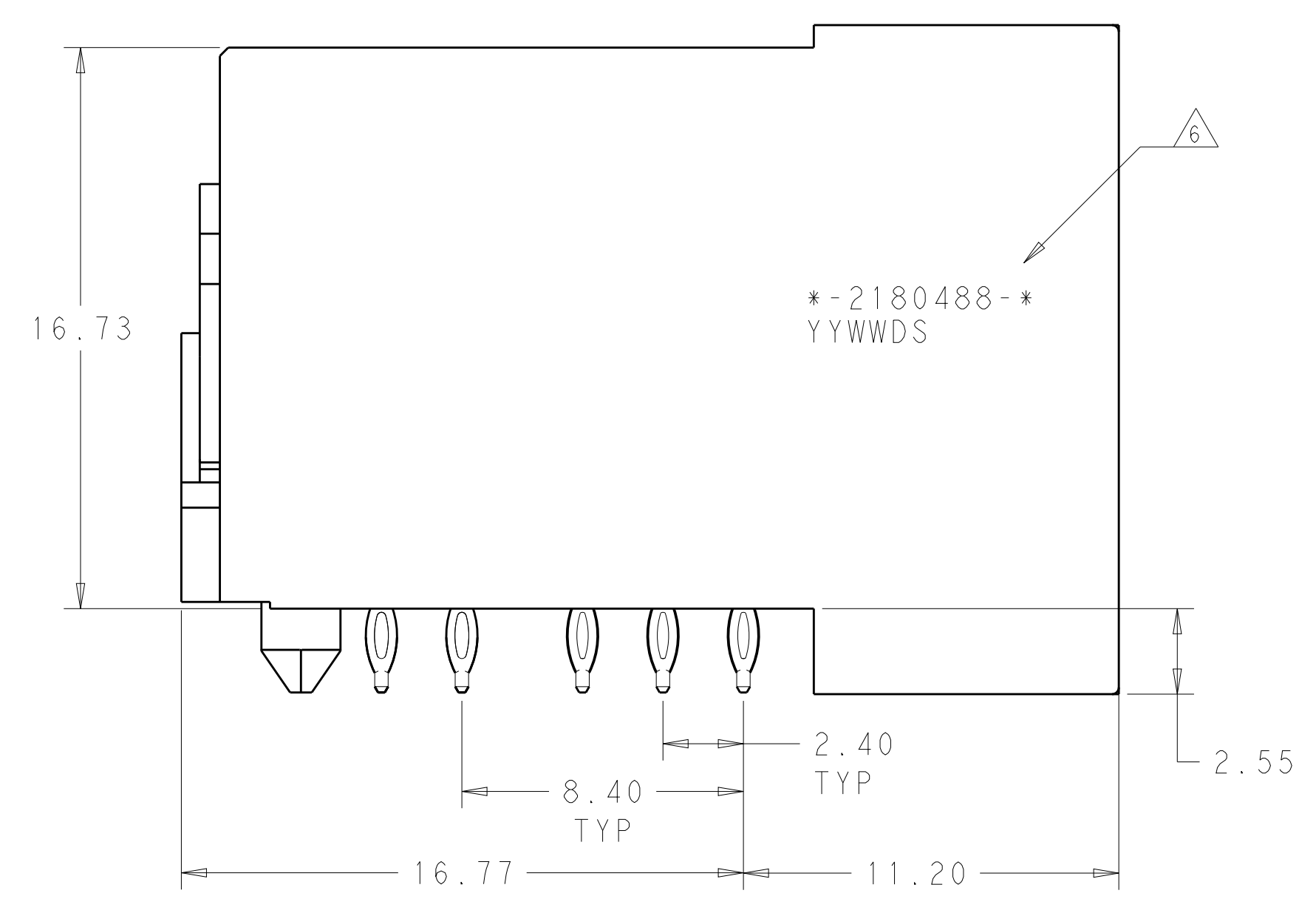


FIGURE: CUTAWAY
 SHOWN SOLDER TAIL POSITION

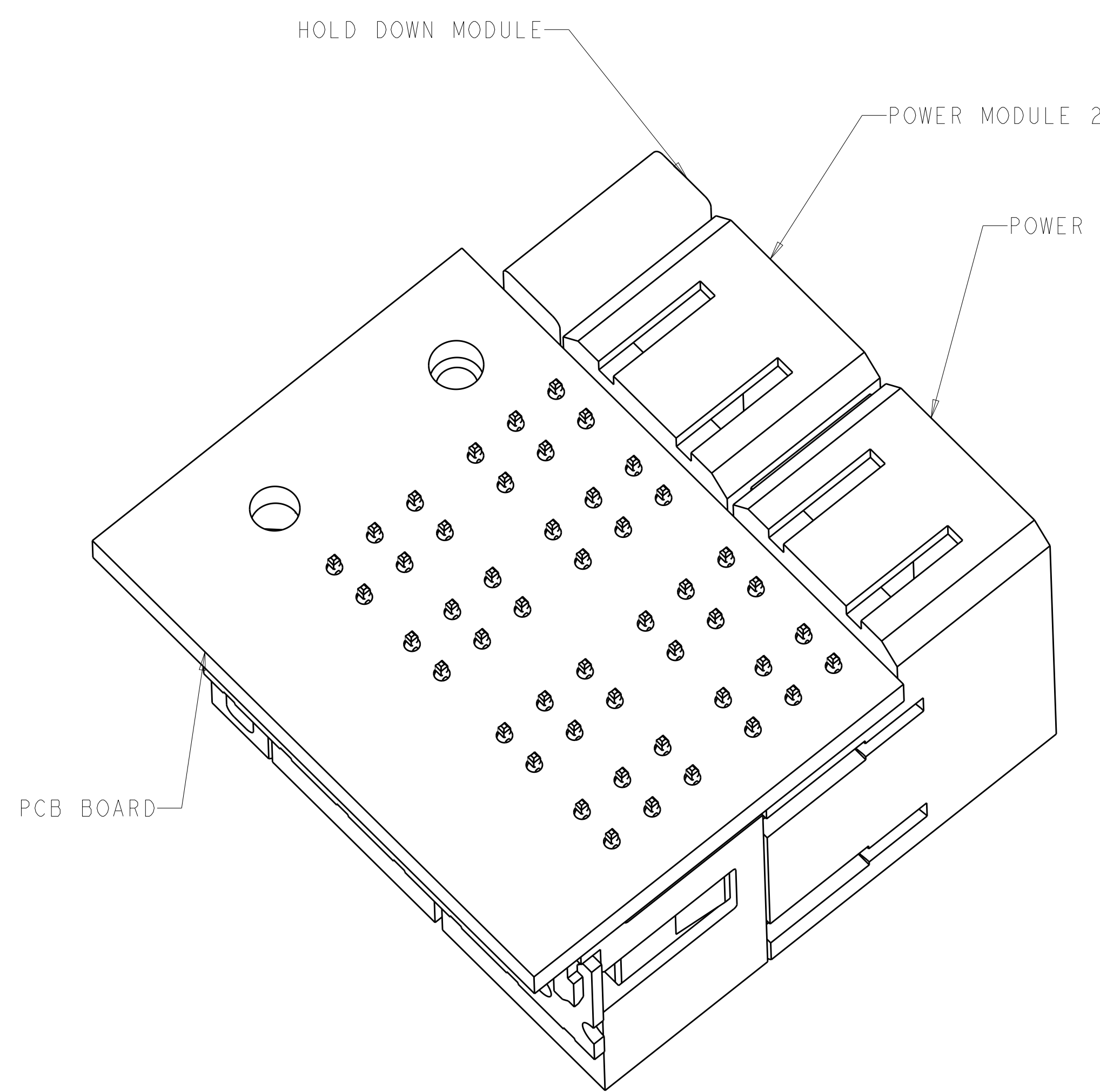


SECTION Y-Y
 BLADE LOCATION P3 & P4

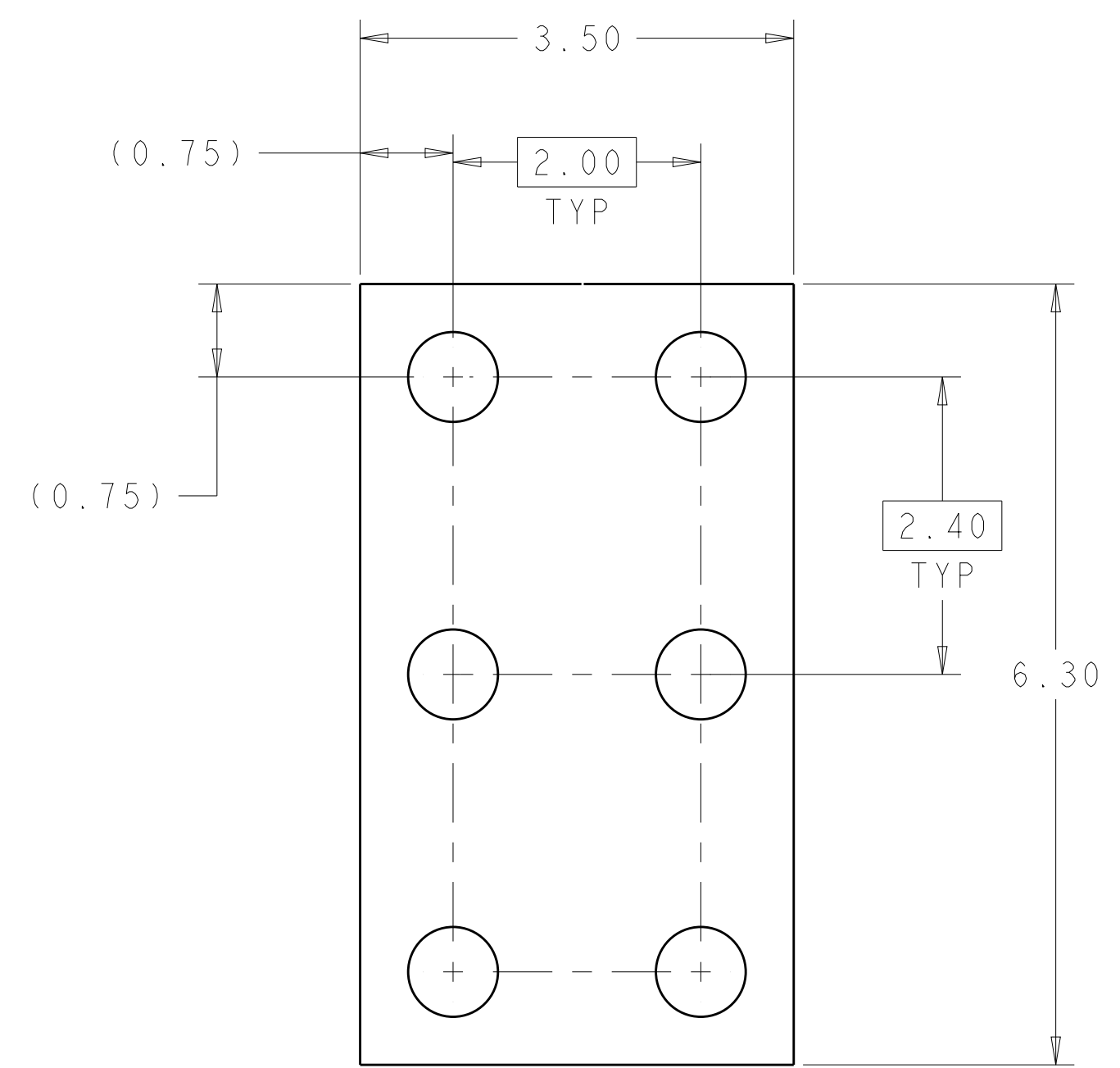


| | | | |
|--|--|---------------------------|---|
| THIS DRAWING IS A CONTROLLED DOCUMENT. | | DWN: LERRY WANG 06MAR2012 | TE Connectivity |
| DIMENSIONS: mm | | CHK: SUNY ZHAO 06MAR2012 | |
| TOLERANCES UNLESS OTHERWISE SPECIFIED: | | APVD: SUNY ZHAO 06MAR2012 | NAME: IMPACT POWER 4PAIR HEADER WITH LEFT HOLD DOWN PRESS FIT |
| 0 PLC ±.05 | | PRODUCT SPEC | |
| 1 PLC ±.10 | | APPLICATION SPEC | SIZE: CAGE CODE DRAWING NO |
| 2 PLC ±.15 | | 114-32028 | RESTRICTED TO |
| 3 PLC ±.20 | | WEIGHT | A100779C=2180488 |
| 4 PLC ±.25 | | CUSTOMER DRAWING | SCALE 4:1 SHEET 2 OF 3 REV A1 |
| ANGLES ±.5° | | | |
| FINISH | | | |

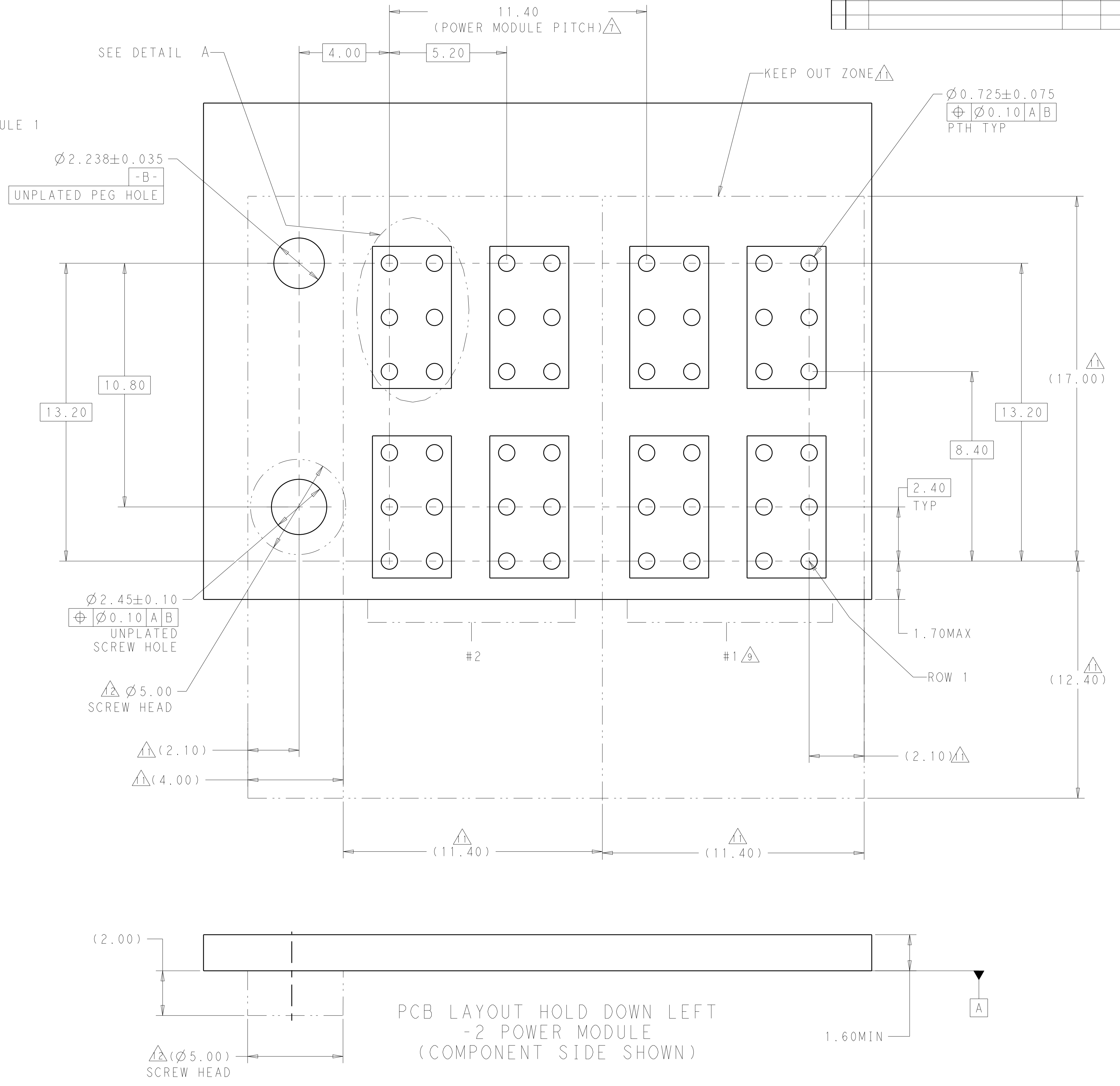
| LOC | DIST | REVISIONS | | | |
|-----|------|-------------|------|----|------|
| GP | 00 | REV | DATE | BY | APPV |
| - | - | SEE SHEET 1 | - | - | - |



CONNECTOR WITH PCB BOARD



DETAIL A
 COPPER PAD REFERENCE
 SCALE 20:1



PCB LAYOUT HOLD DOWN LEFT
 - 2 POWER MODULE
 (COMPONENT SIDE SHOWN)

| | | | |
|--|--------------|---------------------------|---|
| THIS DRAWING IS A CONTROLLED DOCUMENT. | | OWN: LERRY WANG 06MAR2012 | TE Connectivity |
| DIMENSIONS: mm | | CHK: SUNY ZHAO 06MAR2012 | |
| TOLERANCES UNLESS OTHERWISE SPECIFIED: | | APPV: SUNY ZHAO 06MAR2012 | NAME: IMPACT POWER 4PAIR HEADER WITH LEFT HOLD DOWN PRESS FIT |
| 0 PLC ±0.10 | 1 PLC ±0.15 | PRODUCT SPEC | SIZE: CAGE CODE DRAWING NO |
| 2 PLC ±0.25 | 3 PLC ±0.30 | APPLICATION SPEC | RESTRICTED TO |
| 4 PLC ±0.40 | ANGLES ±0.5° | 114-32028 | A100779C=2180488 |
| MATERIAL: - | FINISH: - | WEIGHT: - | CUSTOMER DRAWING |
| | | SCALE: 4:1 | SHEET 3 OF 3 |

单击下面可查看定价，库存，交付和生命周期等信息

[>>TE Connectivity\(泰科\)](#)