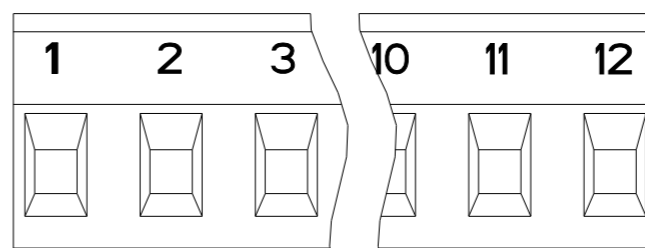
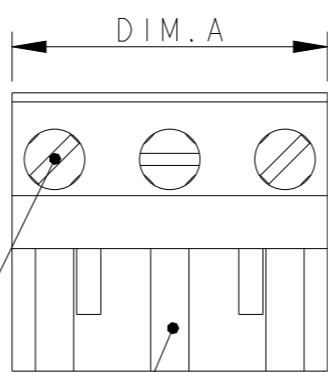
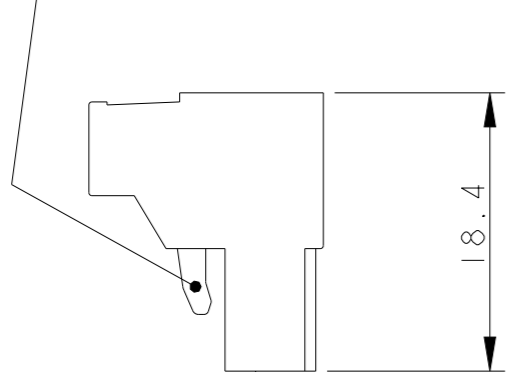


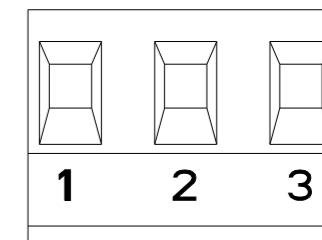
LOC	DIST
FT	0

REVISIONS					
P	LTR	DESCRIPTION	DATE	DWN	APVD
	C4	PN 2-282959-0 RELEASED FOR PRODUCTION	04DEC2018	RK	PS
	C5	PART OBSOLETE	30JUL2021	GMN	PS

RETENTION LATCH  
(DISPOSITIVO DI RITENZIONE)



1-282959-5 AS SHOWN

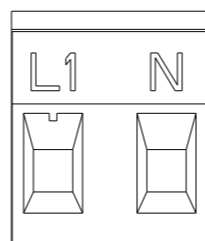


1-282959-6 AS SHOWN

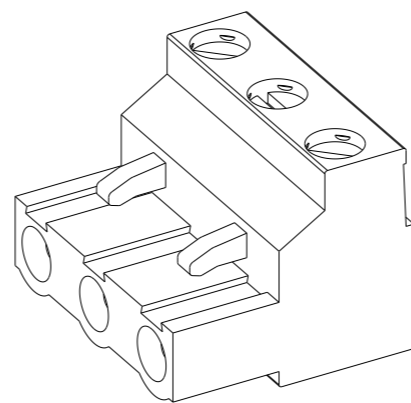
MATING FACE  
(LATO DI ACCOPPIAMENTO)

CLAMPING SCREW  
(VITE DI SERRAGGIO)

POLARIZATION KEY SLOT  
(SEDE PER LINGUETTE DI CODIFICA)

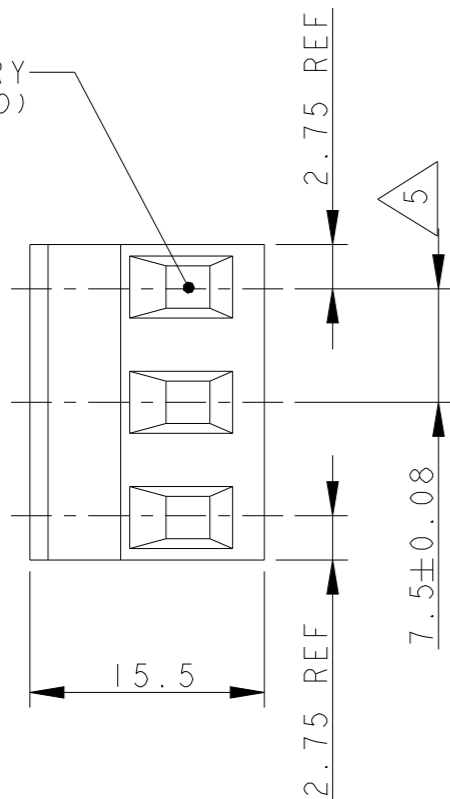


2-282959-0 AS SHOWN



282959-3 AS SHOWN

WIRE ENTRY  
(INGRESSO CAVO)

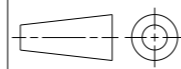


OBSOLETE

MARKING	COLOUR	DIM.A	NO OF POS.	PART NUMBER
AS SHOWN	GREEN	13.0	2	2-282959-0
/	GRAY	20.5	3	1-282959-9
AS SHOWN	GREEN	20.5	3	1-282959-6
AS SHOWN	GREEN	90.0	12	1-282959-5
/	GREEN	73.0	10	1-282959-4
/	BLACK	20.5	3	1-282959-3
/	GREEN	88.0	12	1-282959-2
/	GREEN	80.5	11	1-282959-1
/	GREEN	73.0	10	1-282959-0
/	GREEN	65.5	9	282959-9
/	GREEN	58.0	8	282959-8
/	GREEN	50.5	7	282959-7
/	GREEN	43.0	6	282959-6
/	GREEN	35.5	5	282959-5
/	GREEN	28.0	4	282959-4
/	GREEN	20.5	3	282959-3
/	GREEN	13.0	2	282959-2

THIS DRAWING IS A CONTROLLED DOCUMENT.

DIMENSIONS:  
mm



MATERIAL

TOLERANCES UNLESS OTHERWISE SPECIFIED:

0 PLC	±
1 PLC	±0.2
2 PLC	±0.20
3 PLC	±0.001
4 PLC	±0.0001
ANGLES	±2
FINISH	-

DWN S. SCHLEGEL 25JUN96

CHK R CANTORE 25JUN96

APVD R CANTORE 25JUN96

PRODUCT SPEC

APPLICATION SPEC

WEIGHT

CUSTOMER DRAWING



TE Connectivity

NAME  
TERMINAL BLOCK PLUG,  
7.5mm PITCH

SIZE	CAGE CODE	DRAWING NO	RESTRICTED TO
A300779	C=282959		-

SCALE 2:1 SHEET 1 OF 2 REV C5

THIS DRAWING IS UNPUBLISHED.

RELEASED FOR PUBLICATION

20

© COPYRIGHT 20

ALL RIGHTS RESERVED.

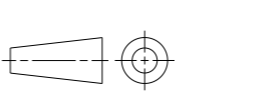
LOC FT DIST 0

REVISIONS

P	LTR	DESCRIPTION	DATE	DWN	APVD
-		SEE SHEET 1	-	-	-

NOTES:

- MATERIALS AND FINISH  
HOUSING: PA 6-6, UL 94-V0.  
COLOURS: GRAY, RAL 7032.  
          BLACK.  
          GREEN.  
CLAMP: BRASS, NICKEL PLATED.  
DOUBLE SIDE CONTACT SPRING: PHOSPHOR BRONZE, TIN PLATED.  
CLAMPING SCREW: M3, BRASS, NICKEL PLATED.
- MECHANICAL  
MAX. INSERTION FORCE PER POLE : 3.0 N  
MIN. WITHDRAWAL FORCE PER POLE : 1.5 N  
WIRE STRIPPING LENGTH : 6.0-7.5 mm  
RECOMMENDED TIGHTENING TORQUE FOR SCREW : 0.5 Nm.
- ELECTRICAL  
WIRE RANGE : 12-30 AWG  
MAX. VOLTAGE : 300 V  
MAX CURRENT : 15 A  
CONTACT RESISTANCE : <15 m Ohm  
INSULATION RESISTANCE : >1000 M Ohm (500V DC)
- RECOGNIZED UNDER THE COMPONENT PROGRAM OF UNDERWRITERS LABORATORIES INC. FILE NO E60677.
- NOT CUMULATIVE TOLERANCE.
- INK MARKING : BLACK COLOUR  
NUMERICAL SEQUENCE : FROM LEFT TO RIGHT,  
WIRE ENTRY SIDE
- OPERATING TEMPERATURE RANGE: -40°C TO +105°C.

THIS DRAWING IS A CONTROLLED DOCUMENT.		DWN S. SCHLEGEL 25JUN96	<b>STE</b> TE Connectivity	
DIMENSIONS: mm		CHK R CANTORE 25JUN96		
TOLERANCES UNLESS OTHERWISE SPECIFIED:		APVD R CANTORE 25JUN96	NAME TERMINAL BLOCK PLUG, 7.5mm PITCH	
		PRODUCT SPEC -	- -	
MATERIAL -		APPLICATION SPEC -	SIZE A3	CAGE CODE 00779
FINISH -		WEIGHT -	DRAWING NO C-282959	RESTRICTED TO -
CUSTOMER DRAWING			SCALE 2:1	SHEET 2 OF 2
			REV C5	

单击下面可查看定价，库存，交付和生命周期等信息

[>>TE Connectivity\(泰科\)](#)