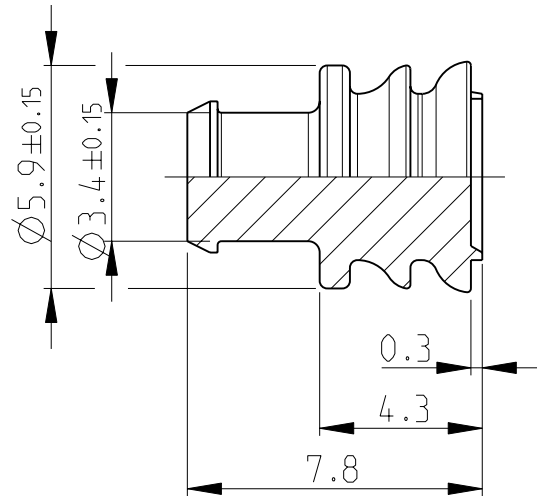
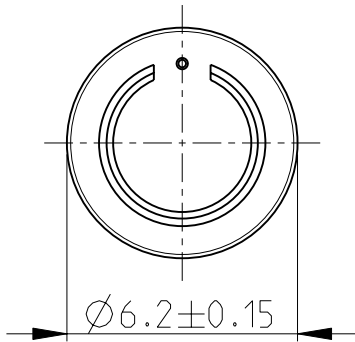


LOC	DIST	REVISIONS					
A1	-	P	LTR	DESCRIPTION	DATE	DWN	APVD
			L8	REVISED PER ECO-11-005150	31MAR2011	RK	HMR



1:1

Keine Lufteinschlusse zulaessig
NO AIR BUBBLES PERMITTED

828922-2	A	GREEN	SILICON MVQ 50
828922-1	L	NATURAL	SILICON MVQ 50
PART NO.	REV.	COLOUR	MATERIAL

RELEASED FOR PUBLICATION

ALL RIGHTS RESERVED.

THIS DRAWING IS UNPUBLISHED.

© COPYRIGHT -

DIMENSIONS: mm	DWN Gaupp, P. 17APR1997	MATERIAL	SEE TABLE	FINISH	-
TOLERANCES UNLESS OTHERWISE SPECIFIED: DIN 16901-160	CHK Kuempel, D. 21APR1997	TE Connectivity			
0 PLC ±	APVD -				
1 PLC ±	PRODUCT SPEC	NAME			
2 PLC ±	108-18263-1	CAVITY PLUG DIA. 2.5mm SYSTEM DIA. 5.4mm CAVITY			
3 PLC ±	APPLICATION SPEC	SIZE	CAGE CODE	DRAWING NO	RESTRICTED TO
4 PLC ±	-	A 4	00779	©-828922	-
ANGLES ±°	WEIGHT -	CUSTOMER DRAWING			
		SCALE	5:1	SHEET	1 OF 1
				REV	L8

单击下面可查看定价，库存，交付和生命周期等信息

[>>TE Connectivity\(泰科\)](#)