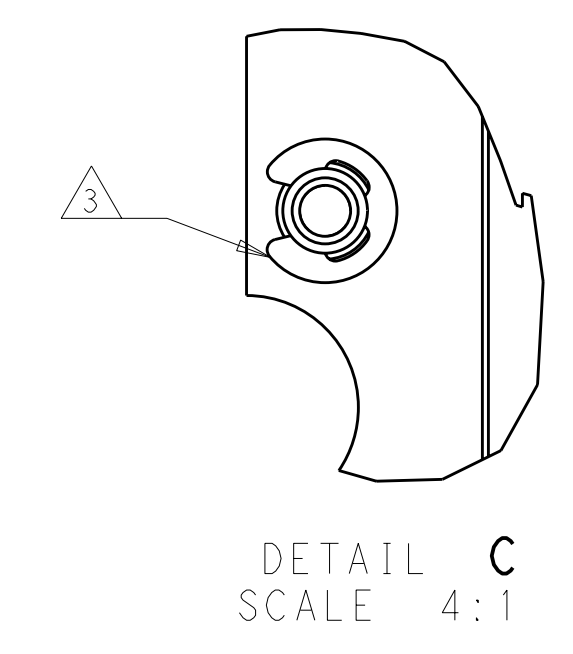
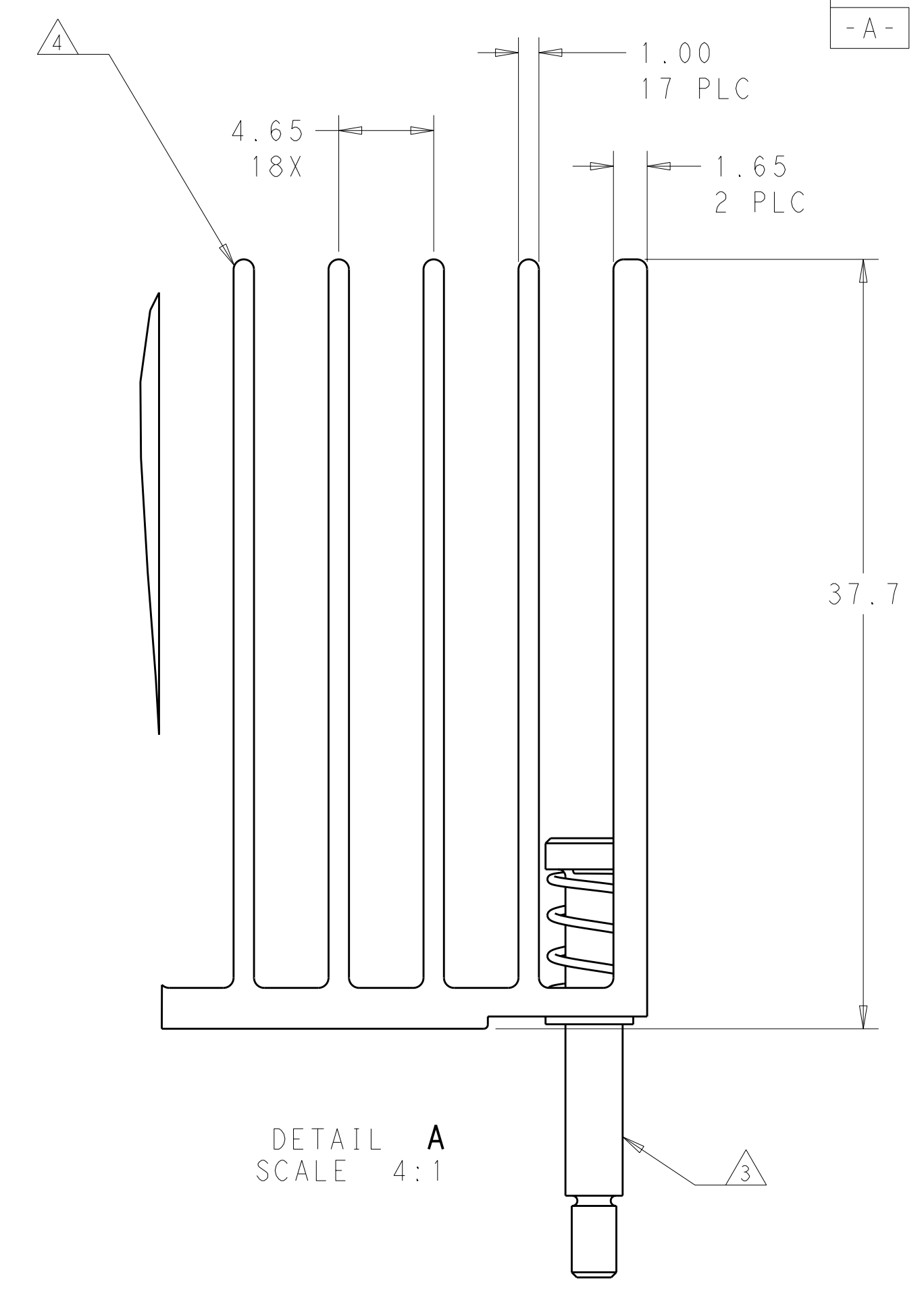
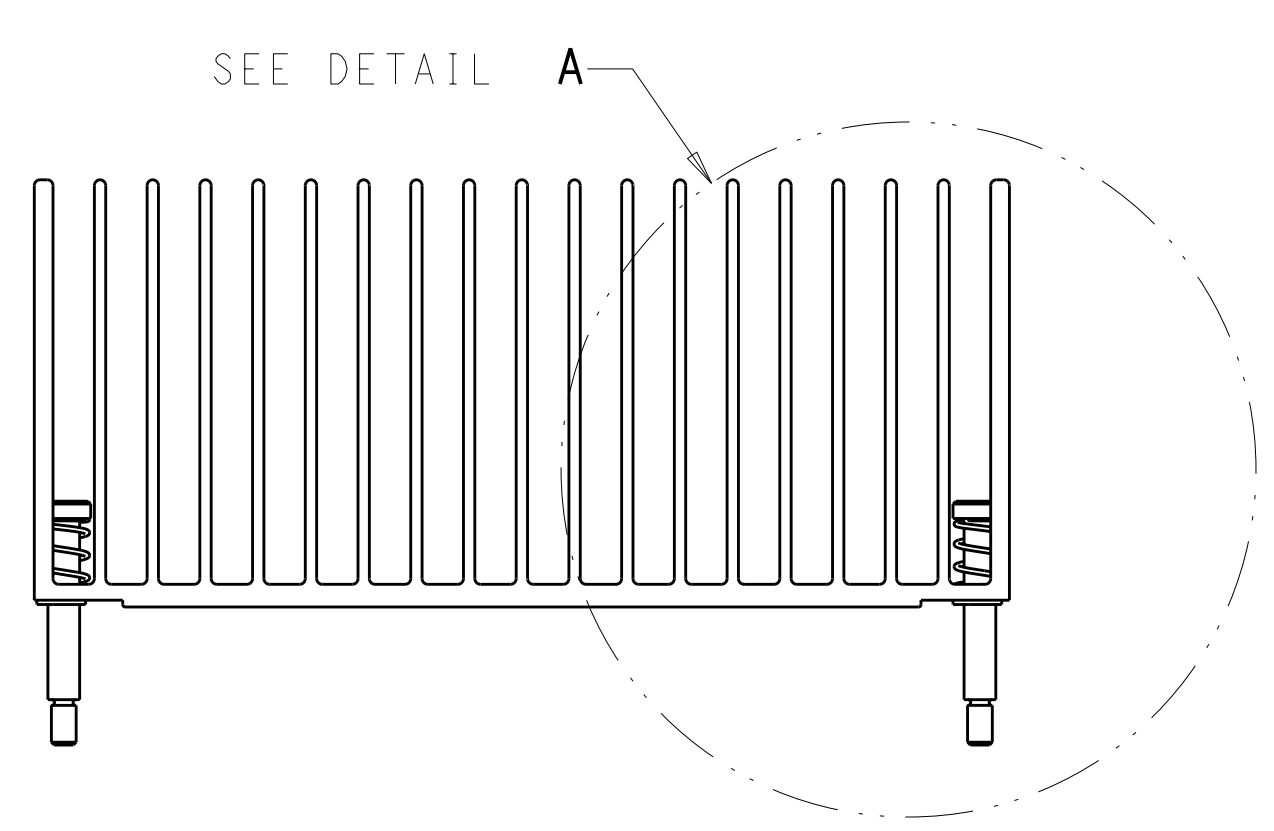
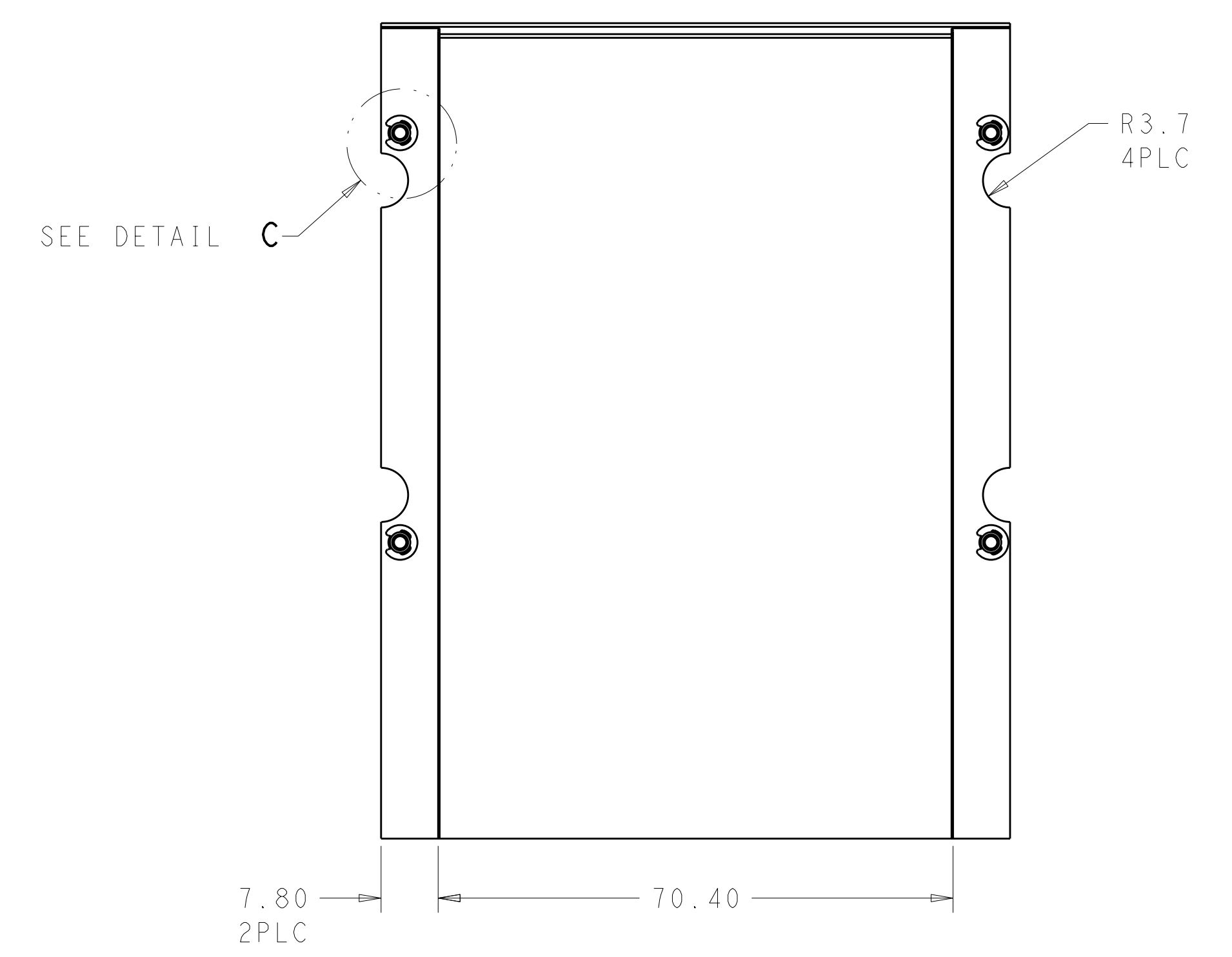
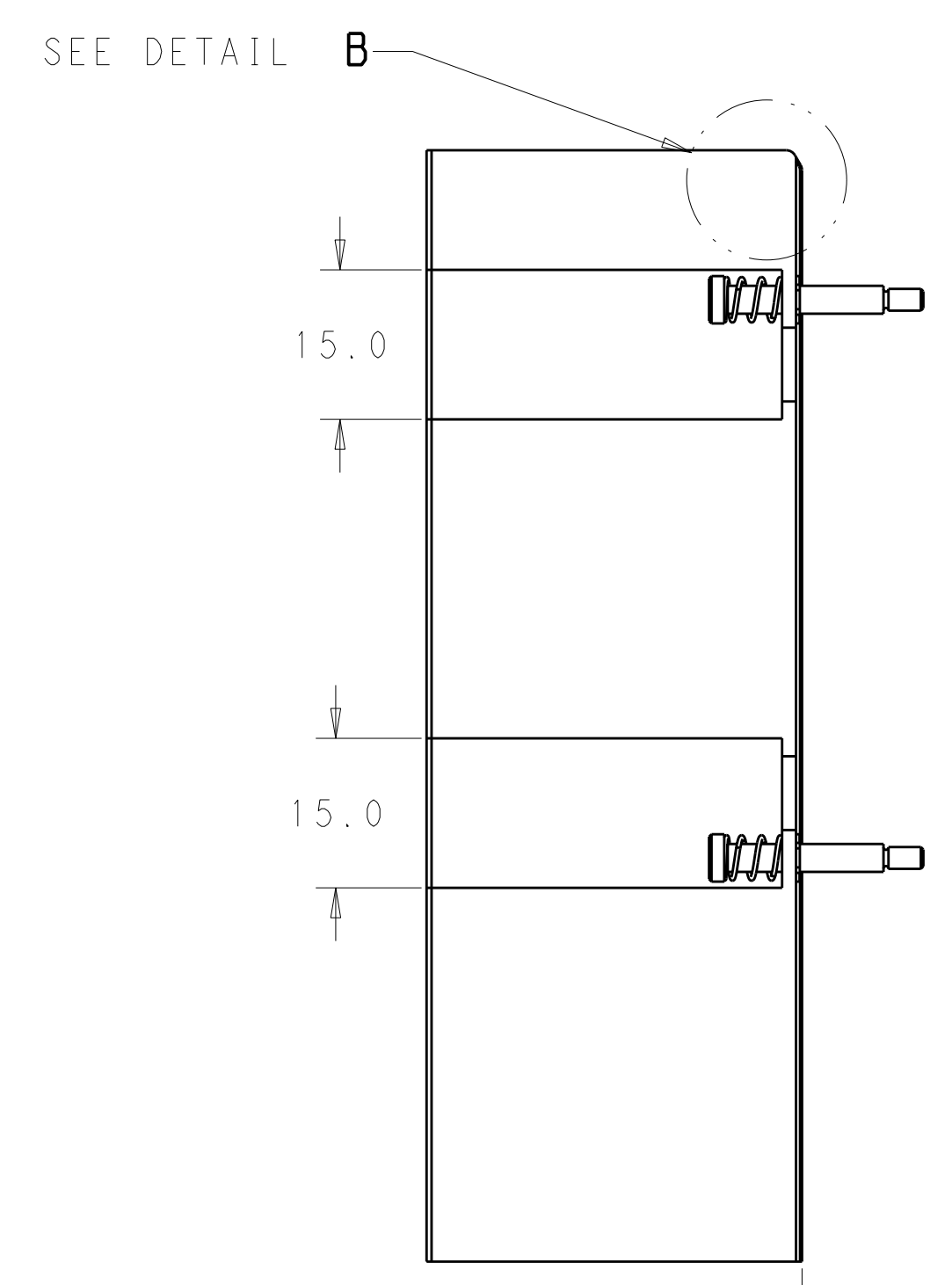
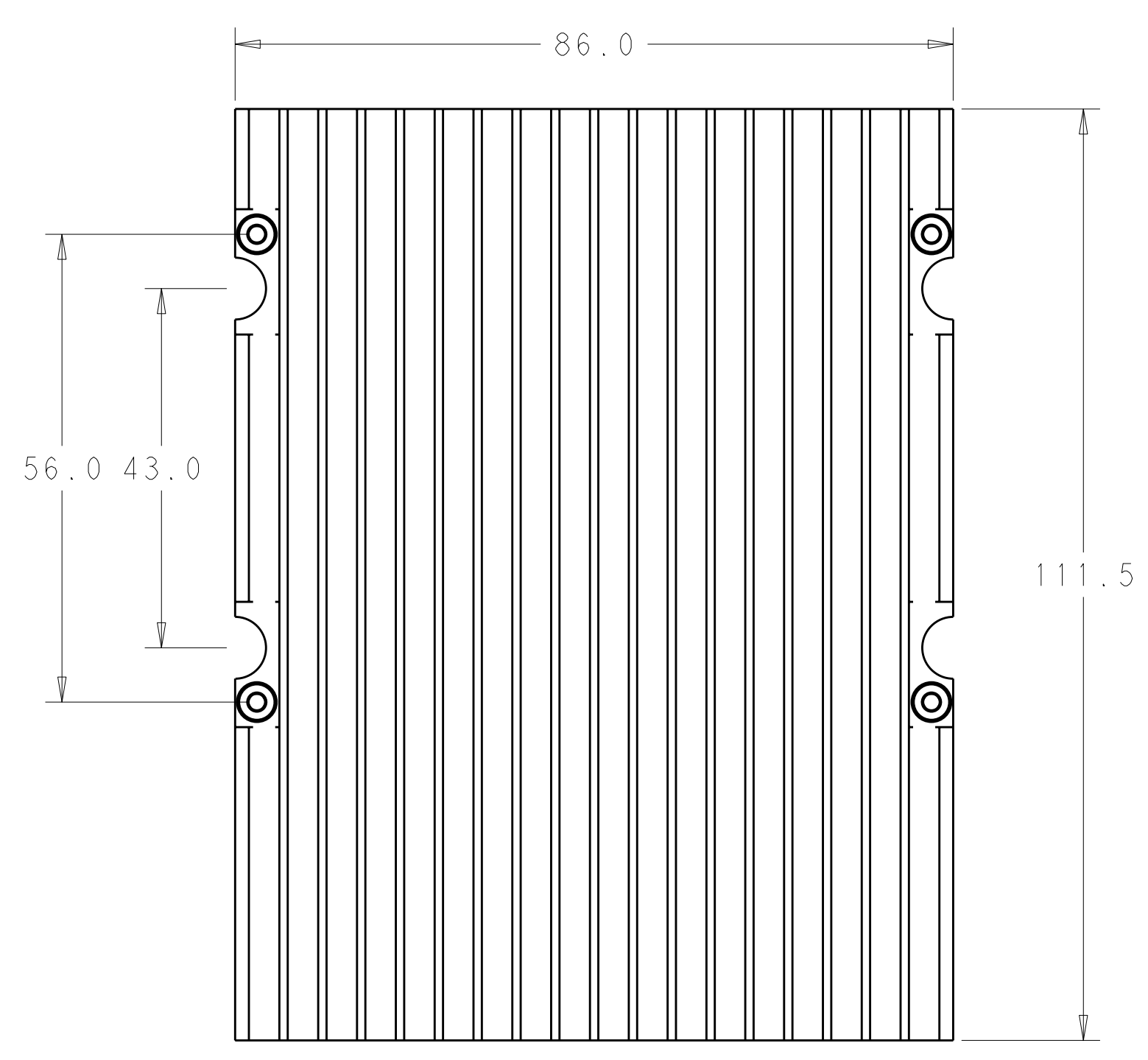
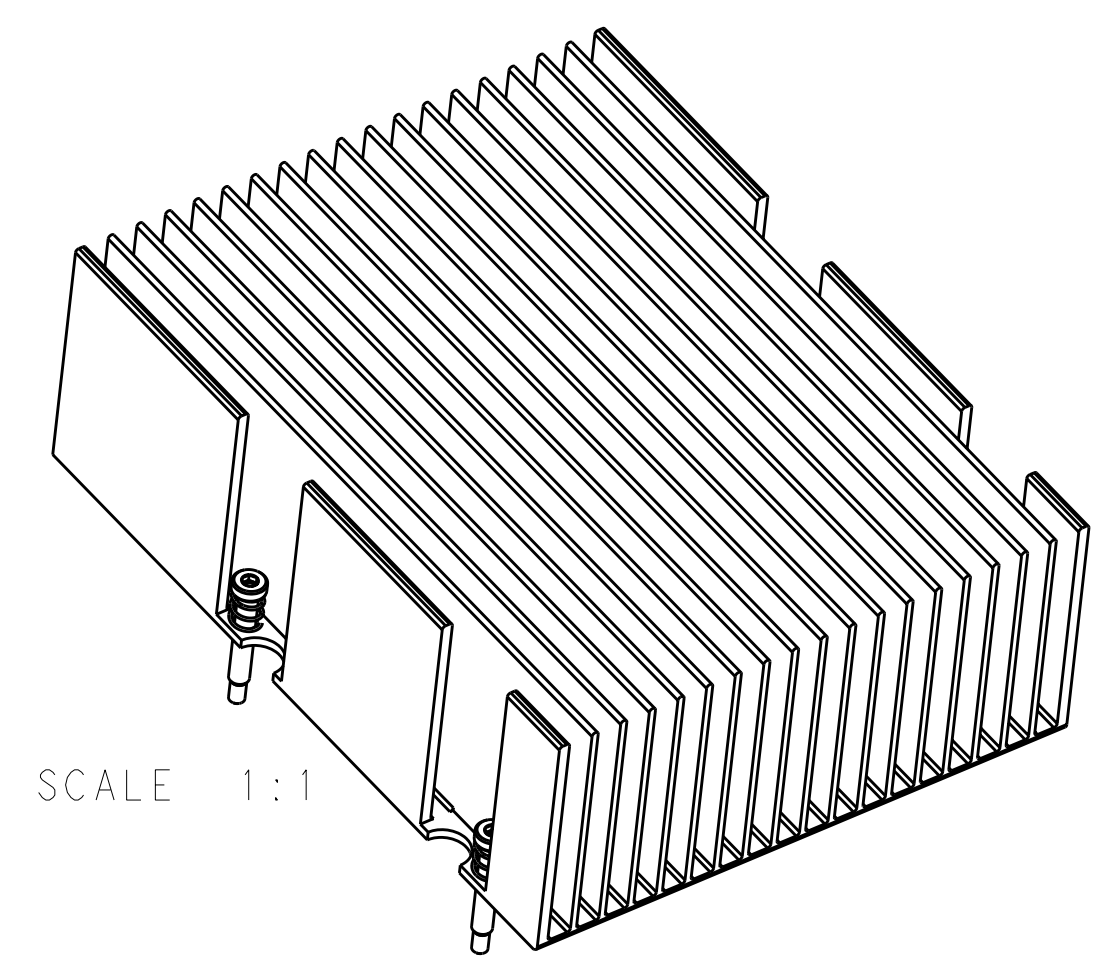
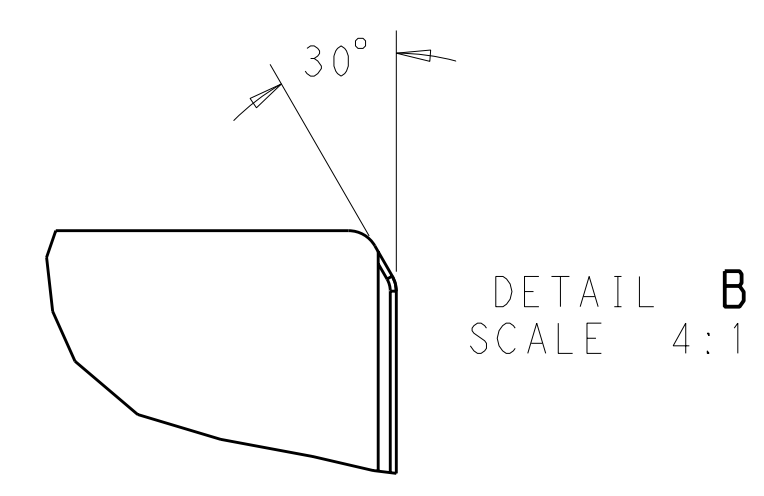


LOC	DIST	P	LTB	DESCRIPTION	DATE	DWN	APVD
-	-	1		DRAWING CREATION	16SEP2009	JE	JE
		A		REMOVE UNUSED PRELIMINARY P/N'S	21SEP2009	-	JE
		B		REVISED PER ECO-09-024638	03NOV2009	DH	JE



- ① HEATSINK MATERIAL: ALUMINUM ALLOY
- ② FINISH: ANNOIDIZED
- ③ 2-56 SHOULDER BOLT AND SPRING PRE-ASSEMBLED AND HELD IN PLACE WITH CLIP
- ④ FULL ROUND PERMITTED ON TOP OF HEATSINK FIN

2110903-2
 PART NUMBER

DIMENSIONS: mm 		TOLERANCES UNLESS OTHERWISE SPECIFIED: 9 PLC ±.5 1 PLC ±0.5 2 PLC ±0.13 3 PLC ±0.013 4 PLC ±0.001 ANGLES ±.001		DWN 17SEP2009 CHK J EARY APVD -		Tyco Electronics Harrisburg, PA 17105-3608	
MATERIAL: ①		FINISH: ②		PRODUCT SPEC: - APPLICATION SPEC: - WEIGHT: -		NAME: 100 GIG CFP HEAT SINK FINS PARALLEL TO MATING DIRECTION SIZE: A100779 CAGE CODE: C=2110903 DRAWING NO: - RESTRICTED TO: GOOG	
CUSTOMER DRAWING				SCALE 3:2		SHEET 1 OF 1 REV B	

单击下面可查看定价，库存，交付和生命周期等信息

[>>TE Connectivity\(泰科\)](#)