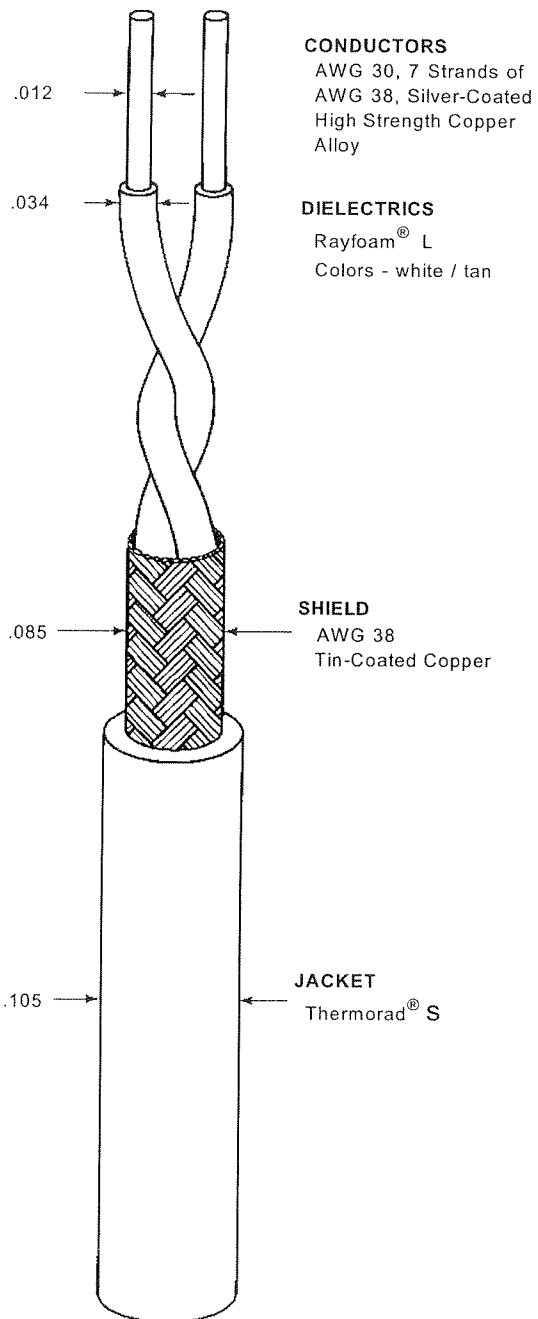


THIS SPECIFICATION SHEET FORMS A PART OF THE LATEST ISSUE OF RAYCHEM SPECIFICATION 1200.

**CONSTRUCTION DETAILS**

DIMENSIONS ARE NOMINAL VALUES IN INCHES UNLESS OTHERWISE DESIGNATED.



**ELECTRICAL CHARACTERISTICS**

CHARACTERISTIC IMPEDANCE	125 ohms (nominal), Method C at 1 MHz
CAPACITANCE - MUTUAL	14.5 pF/ft. (maximum)
VELOCITY OF PROPAGATION	72% (nominal)

**ADDITIONAL REQUIREMENTS**

**ELECTRICAL**

CONDUCTOR RESISTANCE	116. ohms/1000 ft. (nominal)
INSULATION RESISTANCE	10,000 megohms (minimum) for 1000 ft.
JACKET FLAWS	
SPARK TEST	1.0 kV (rms)
IMPULSE TEST	6.0 kV, (peak)
VOLTAGE WITHSTAND (DIELECTRIC)	1000 volts (rms) (minimum)

**ENVIRONMENTAL**

FLAMMABILITY	Method C
HEATSHOCK	225°C
LOW TEMPERATURE-COLDBEND	-55°C/3.00 inch mandrel
VOLTAGE WITHSTAND (POST ENVIRONMENTAL)	1000 volts (rms), 1 minute

**PHYSICAL**

INSULATION (DIELECTRIC) (Prior to Cabling)	
ELONGATION	50% (minimum)
TENSILE STRENGTH	1000 lbf/in <sup>2</sup> (minimum)
JACKET	
ELONGATION	250% (minimum)
TENSILE STRENGTH	2000 lbf/in <sup>2</sup> (minimum)
JACKET THICKNESS	.010 inch (nominal)
SHIELD COVERAGE	90% (minimum)

WEIGHT	6.4 lbs/1000 ft. (nominal)
--------	----------------------------

Outer jacket will be black (designated by a "-0" appended to the part number, e.g., 2530A0314-0) unless otherwise specified.

Designate outer jacket color with a dash number in accordance with MIL-STD-681.

单击下面可查看定价，库存，交付和生命周期等信息

[>>TE Connectivity\(泰科\)](#)