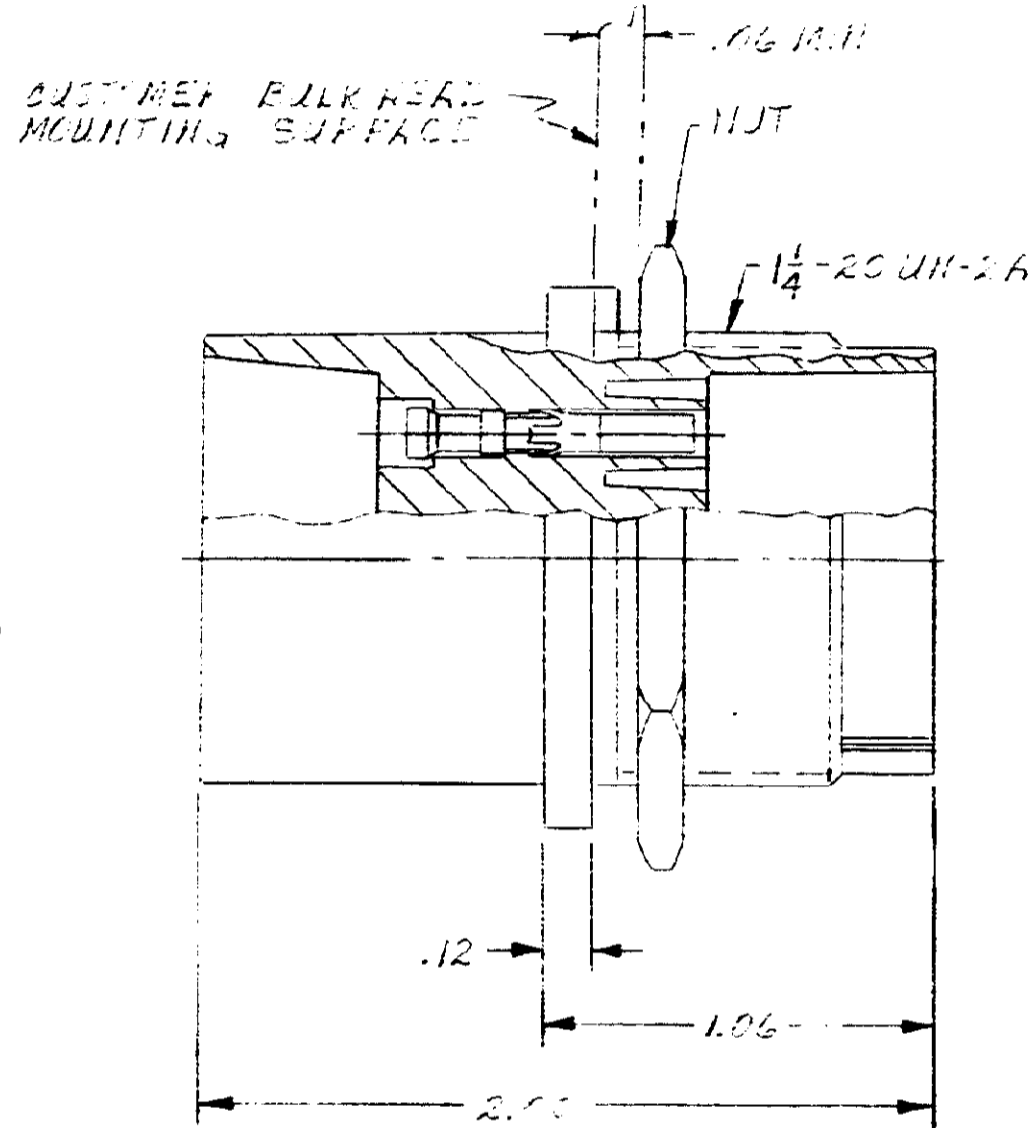


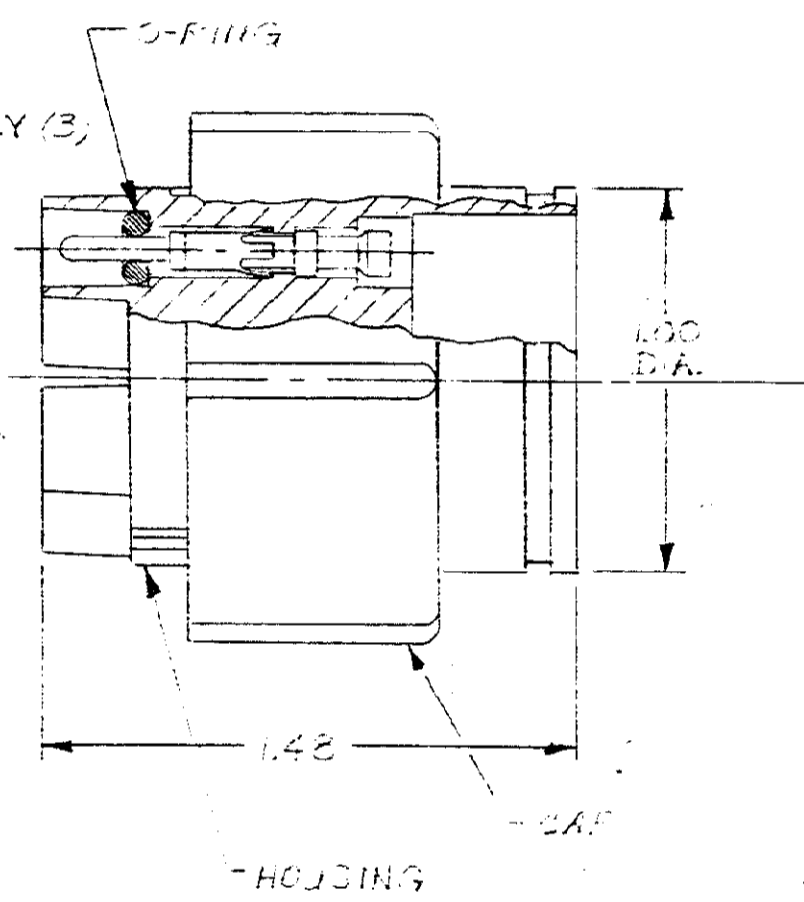
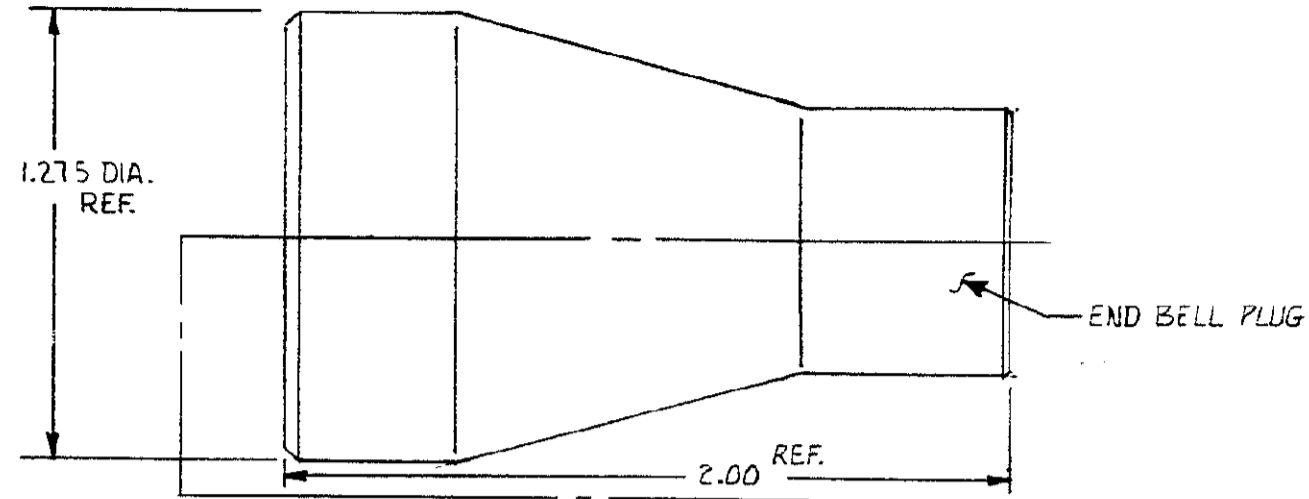
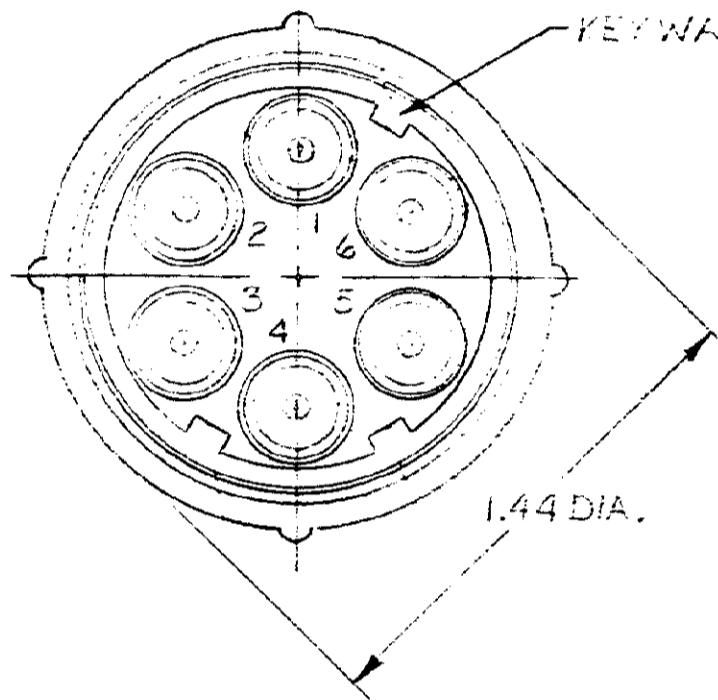
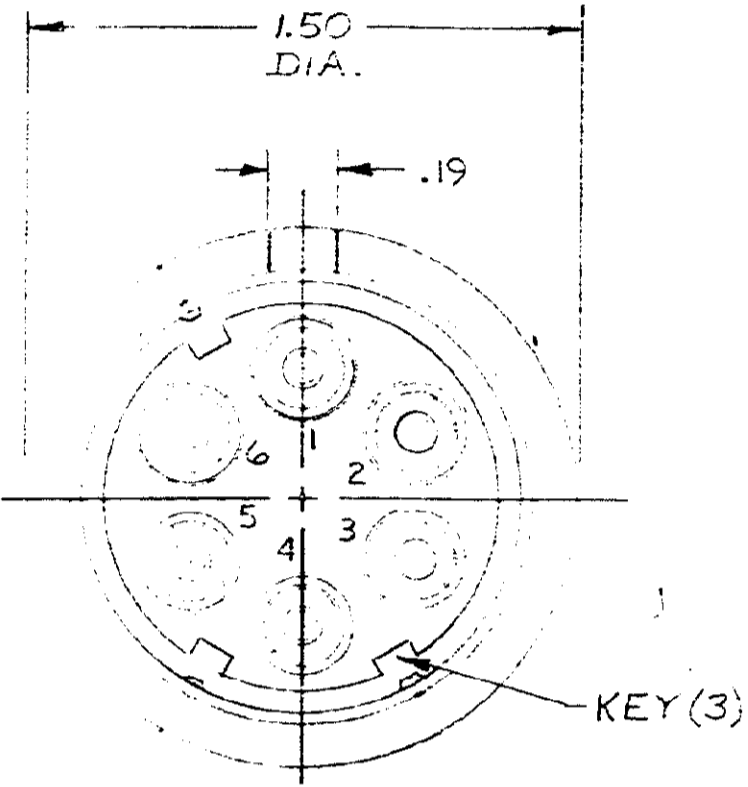
© COPYRIGHT 1976 BY AMP INCORPORATED, HARRISBURG, PA. ALL INTERNATIONAL RIGHTS RESERVED.

THIS PRODUCT AND THE NAME OF THE COMPANY ARE REGISTERED TRADEMARKS OF AMP INCORPORATED. NO PART OF THIS DRAWING IS TO BE REPRODUCED OR TRANSMITTED IN ANY FORM OR BY ANY MEANS, ELECTRONIC OR MECHANICAL, INCLUDING PHOTOCOPYING, RECORDING, OR BY ANY INFORMATION STORAGE AND RETRIEVAL SYSTEM, WITHOUT THE WRITTEN PERMISSION OF AMP INCORPORATED.

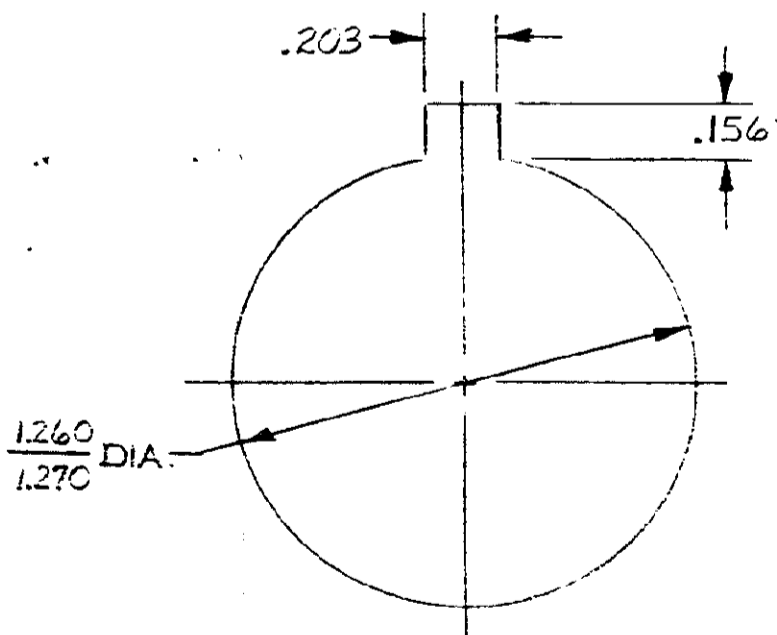
REVISIONS				
ZONE	LTR	DESCRIPTION	DATE	APPROVED
B-2	A	RECEPTACLE WIRE - 1, 2, 4-3	EN 2/27/79	WJS
	B	REV. EN 8/5/80	EN 8/6/79	WJS



RECEPTACLE  
859527



PLUG  
863023



RECOMMENDED PANEL CUTOUT

AMP P/N	RCPT.	PLUG	WIRE SIZE RANGE	HAND TOOL
863018-1	859527-4	863023-1	20, 22, 24	45099
863018-2	859527-5	863023-2	16, 18	45098
863018-3	859527-6	863023-3	14	45098

- NOTE
- TYPE II PINS & SOCKETS TO ACCEPT ONE (1) 14 AWG STRANDED WIRE.
  1. #16 GA PINS & SOCKETS GOLD PLATED PER MIL-G-45204 TYPE II .00005 MIN THK.
  2. TYPE II PINS & SOCKETS TO ACCEPT ONE (1) 22 AWG, (1) 20 AWG, OR (1) 24 AWG STRANDED WIRE.
  3. TYPE II PINS & SOCKETS TO ACCEPT ONE (1) 16 AWG OR (1) 18 AWG STRANDED WIRE.
  4. PINS & SOCKETS SUPPLIED SEPARATELY IN A PLASTIC BAG.

QTY REQD	QTY REQD	ITEM NO.	DWG SIZE	PART OR IDENTIFYING NO.	NOMENCLATURE OR DESCRIPTION	SYMBOL
-2	-1					

UNLESS OTHERWISE SPECIFIED: DIMENSIONS ARE IN INCHES TOLERANCES .00 ± .000 ±				CONTRACT NO. DR DICK STONE 3-1-76 CHK		AMP INCORPORATED CAPTRON DIVISION ELIZABETHTOWN, PENNSYLVANIA	
MATERIAL: MOLDED PLASTIC				APPROVED <i>M. Jordan</i> 3/3/79		NAME 6 PIN PLUG & RECEPTACLE KIT	
FINISH: BLACK				DSGN APPD		SIZE C	
NEXT ASSY				OTHER APPD		CODE IDENT NO. 00779	
QTY REQD				APPLICATION		NUMBER 863018	
				SCALE 2-1		SHEET 1 OF 1	

PRINT DIST  
437

单击下面可查看定价，库存，交付和生命周期等信息

[>>TE Connectivity\(泰科\)](#)