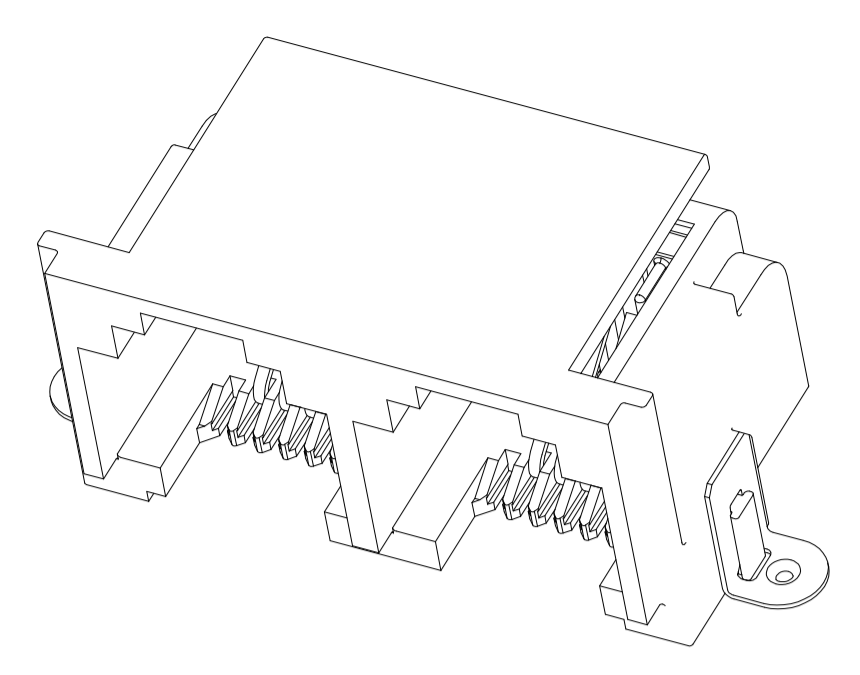
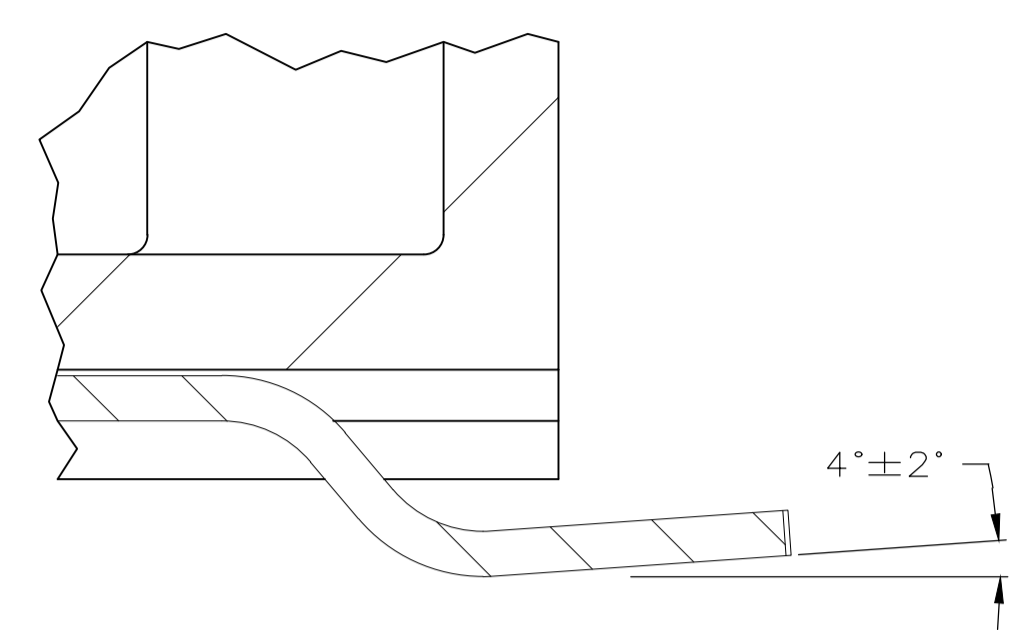
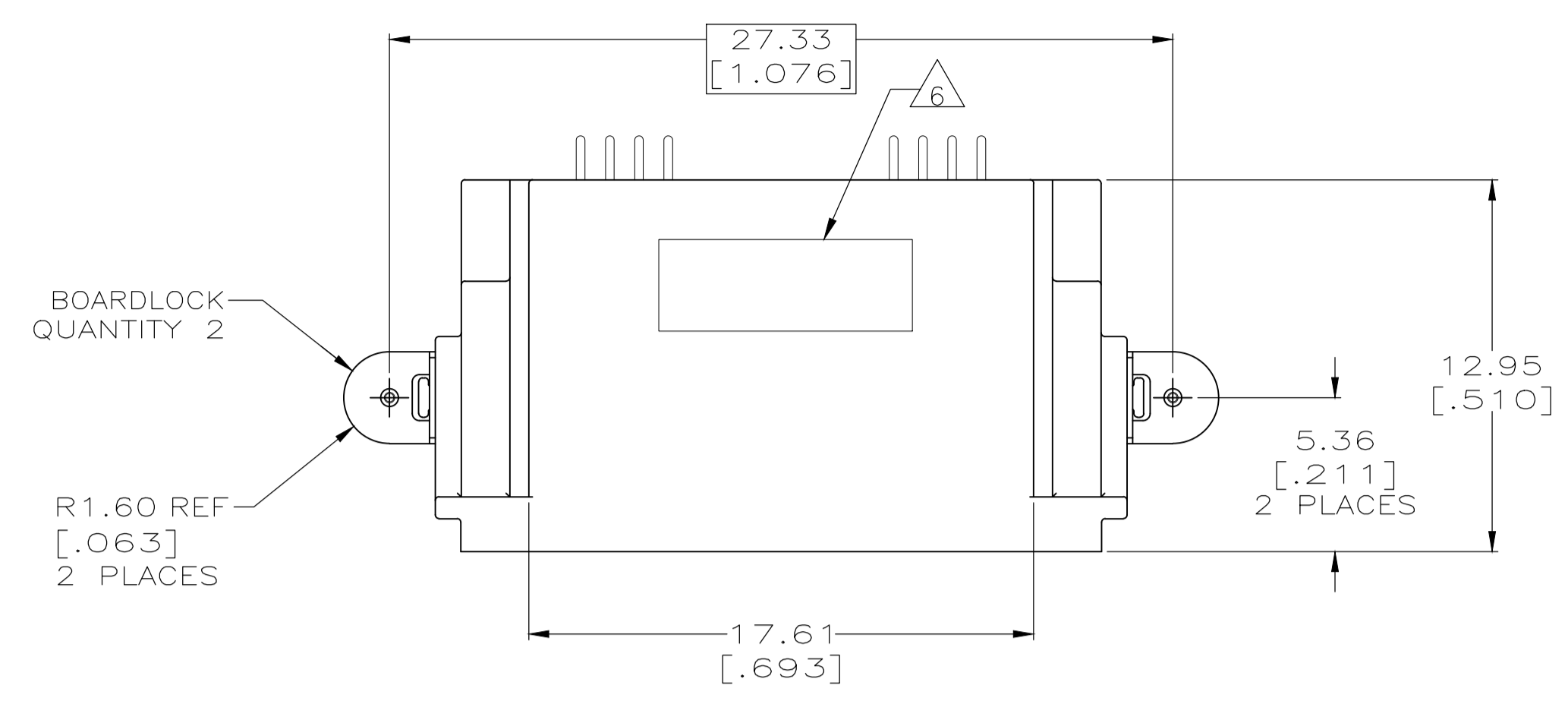
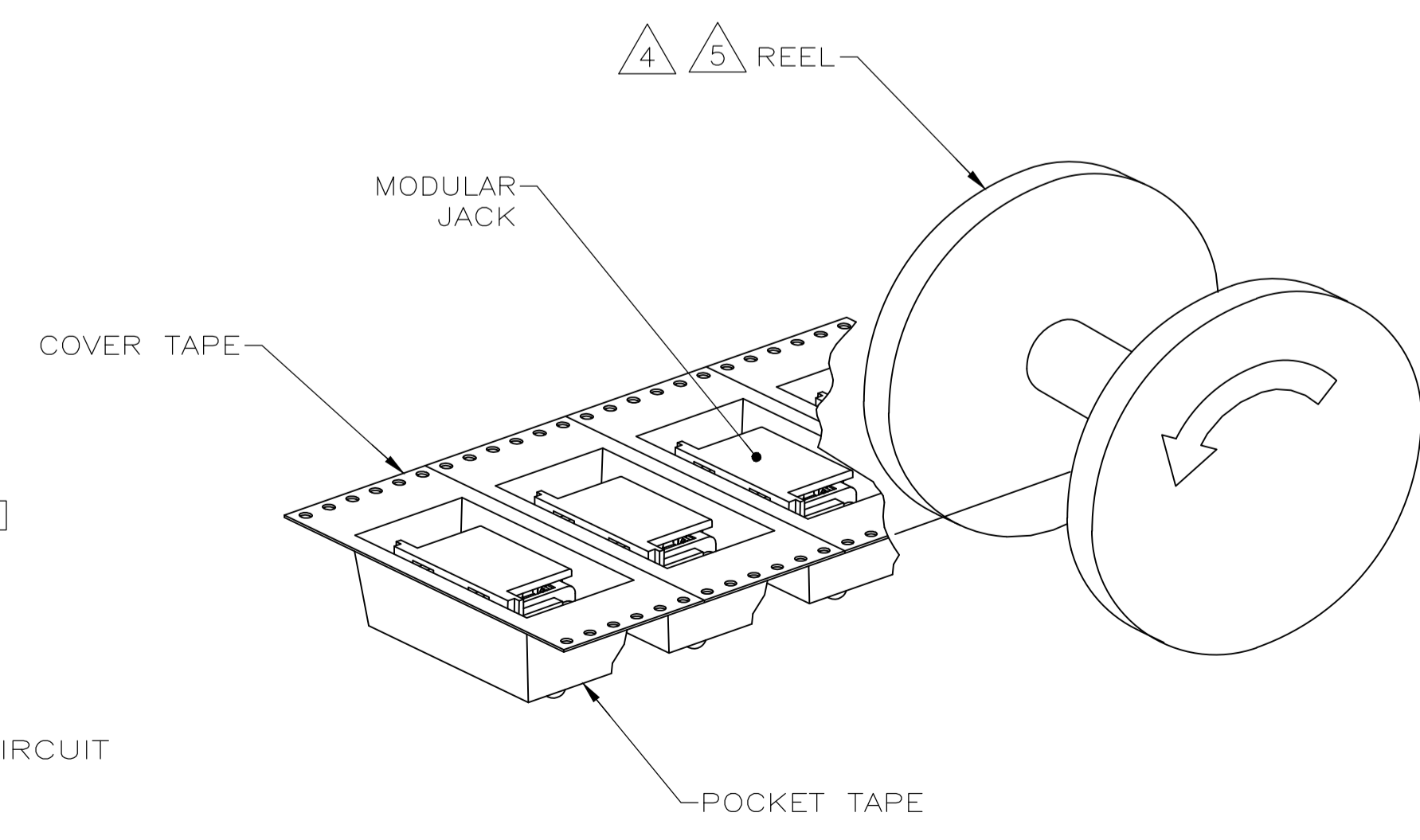
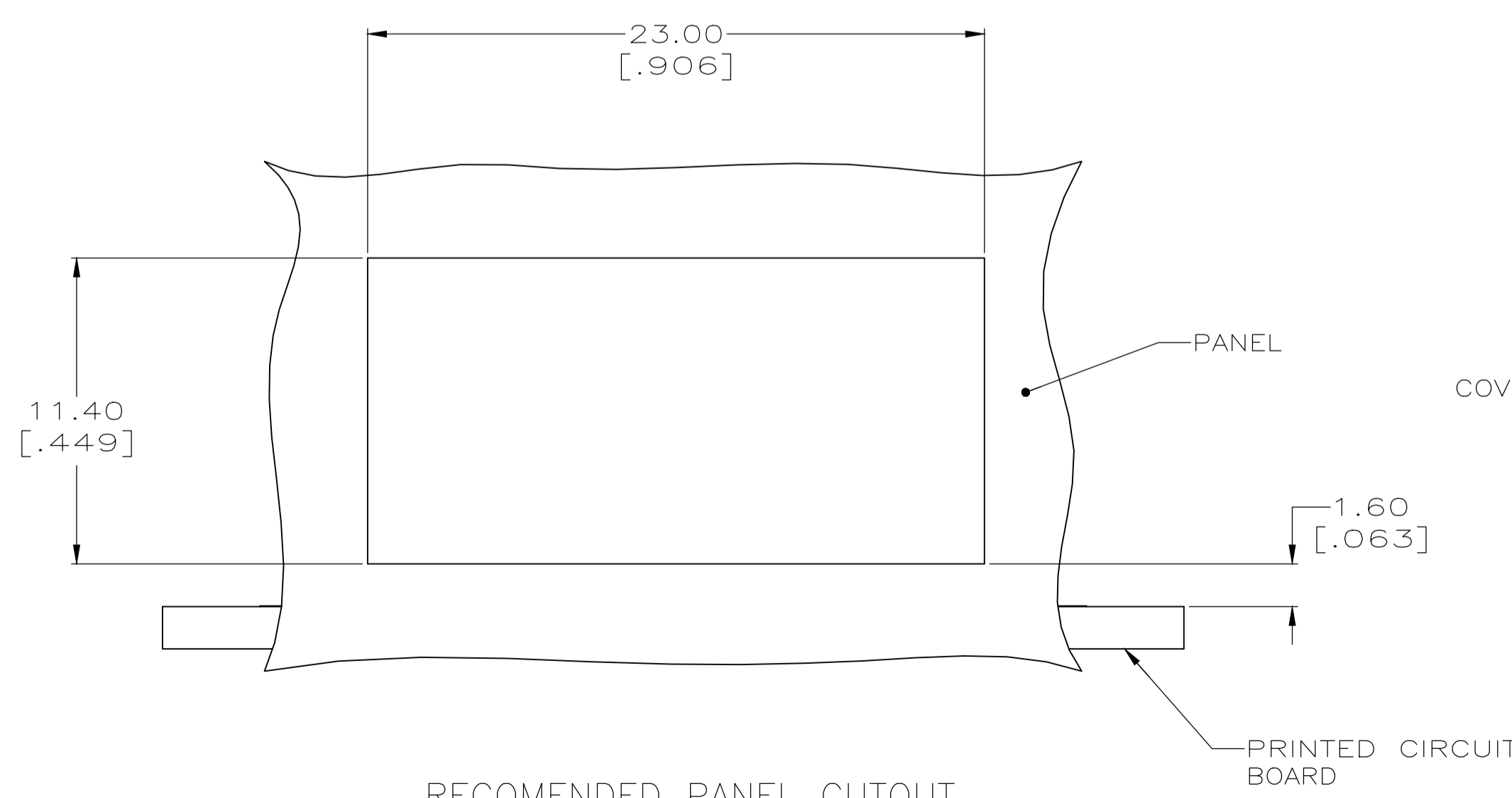
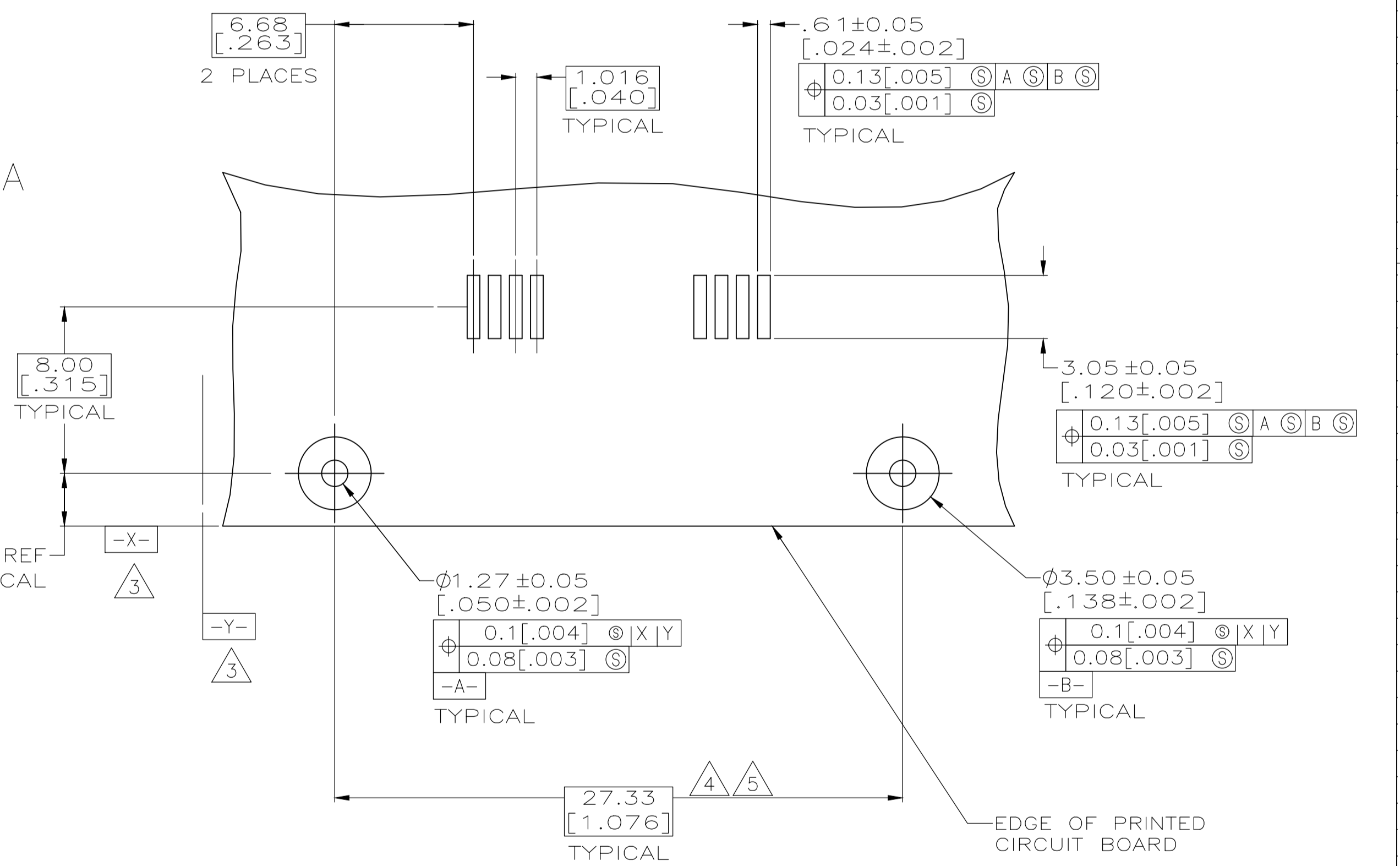
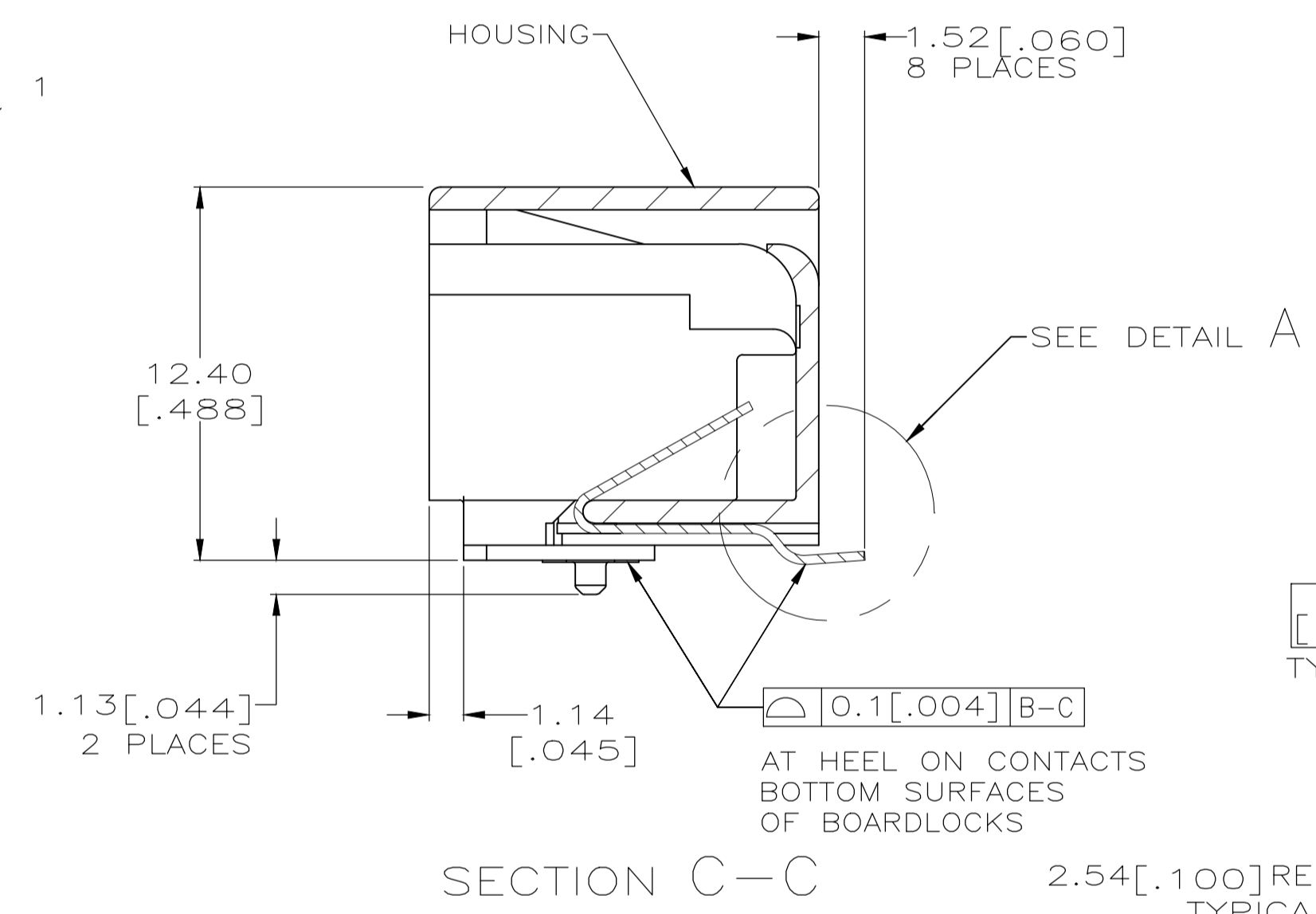
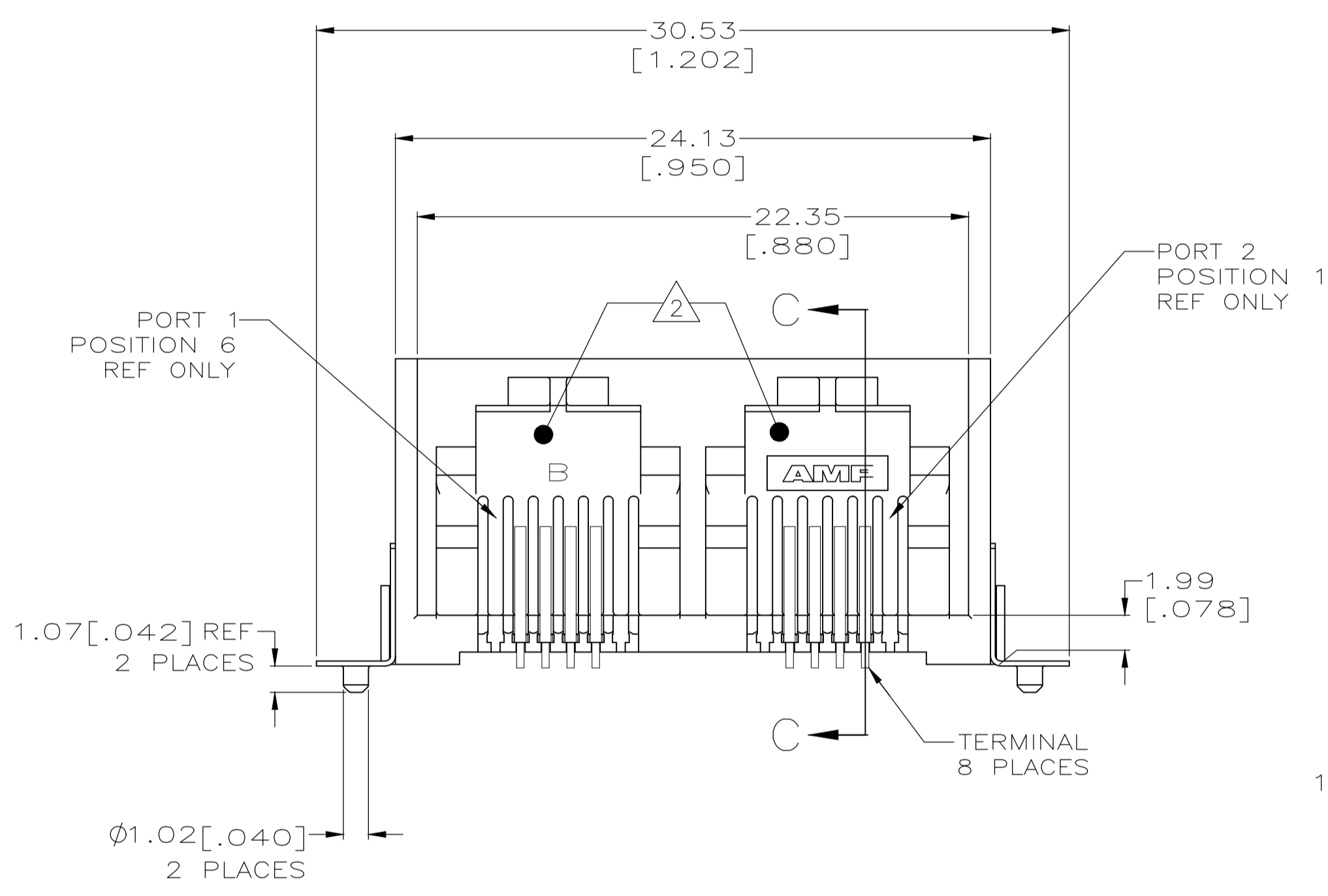


REVISIONS				
REV	DESCRIPTION	DATE	OWN	APPD
1	REV PER ECO-14-018192	04MAR2020	IT	SH



- 1 MATERIAL: HOUSING - HIGH TEMPERATURE THERMOPLASTIC, SEE TABLE FOR COLOR. TERMINALS - 0.3[.012] THICK COPPER ALLOY PLATED WITH 1.27µm[.000050] MINIMUM GOLD IN LOCALIZED CONTACT AREA, 2.5µm[.000100] MINIMUM MATTE TIN ON TERMINATION END, OVER 1.27µm[.000050] MINIMUM NICKEL OVER THE ENTIRE TERMINAL. BOARDLOCK - BRASS, 1/2 HARD, 2.54µm[.000100] MINIMUM MATTE TIN OVER 1.27µm[.000050] MINIMUM NICKEL.
- 2 JACK CAVITY CONFORMS TO FCC RULES AND REGULATIONS, PART 68 SUBPART F.
- 3 DATUM ESTABLISHED BY CUSTOMER.
- 4 PACKAGING TAPE AND REEL:(PER EIA 481 SPEC) TAPE - 44mm[1.73] WIDE POCKET PITCH - 24mm[.945] CORRUGATED REEL DIAMETER - 560mm[22.0] PIECES/REEL - 650
- 5 PACKAGING TAPE AND REEL:(PER EIA 481 SPEC) TAPE - 44mm[1.73] WIDE POCKET PITCH - 24mm[.945] PLASTIC REEL DIAMETER - 330mm[13.0] PIECES/REEL - 200
- 6 MANUFACTURING DATE CODE LOCATED APPROXIMATELY AS SHOWN. FIRST 2 DIGITS ARE YEAR, SECOND 2 DIGITS ARE WORK WEEK, AND LAST DIGIT IS DAY OF THE WEEK



COLOR	PACKAGING	PART NUMBER
OBSELETE LEMON YELLOW	5	5406393-5
BLACK	5	5406393-3
GRAY	4	5406393-1

THIS DRAWING IS A CONTROLLED DOCUMENT.

DIMENSIONS: mm	TOLERANCES UNLESS OTHERWISE SPECIFIED:	0 PLC ±	1 PLC ±	2 PLC ±	3 PLC ±	4 PLC ±	ANGLES ±
		±	±	±	±	±	±
		±	±	±	±	±	±
		±	±	±	±	±	±
		±	±	±	±	±	±
		±	±	±	±	±	±

MATERIAL: 1  
FINISH: 1

TE Connectivity  
 MODULAR JACK ASSEMBLY, 6/4,2 PORT,SURFACE MOUNT,RIGHT ANGLE,WITH PANEL STOPS  
 108-1689  
 114-6040  
 A1 00779 C=5406393  
 SCALE 5:1 SHEET 1 OF 1 REV 1

单击下面可查看定价，库存，交付和生命周期等信息

[>>TE Connectivity\(泰科\)](#)