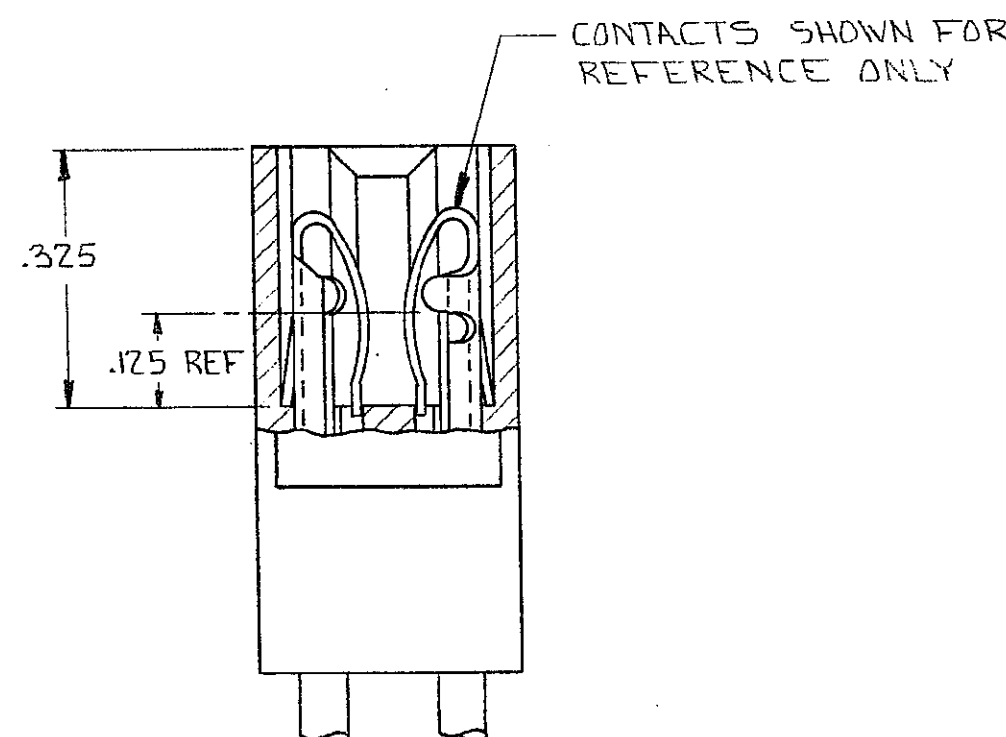
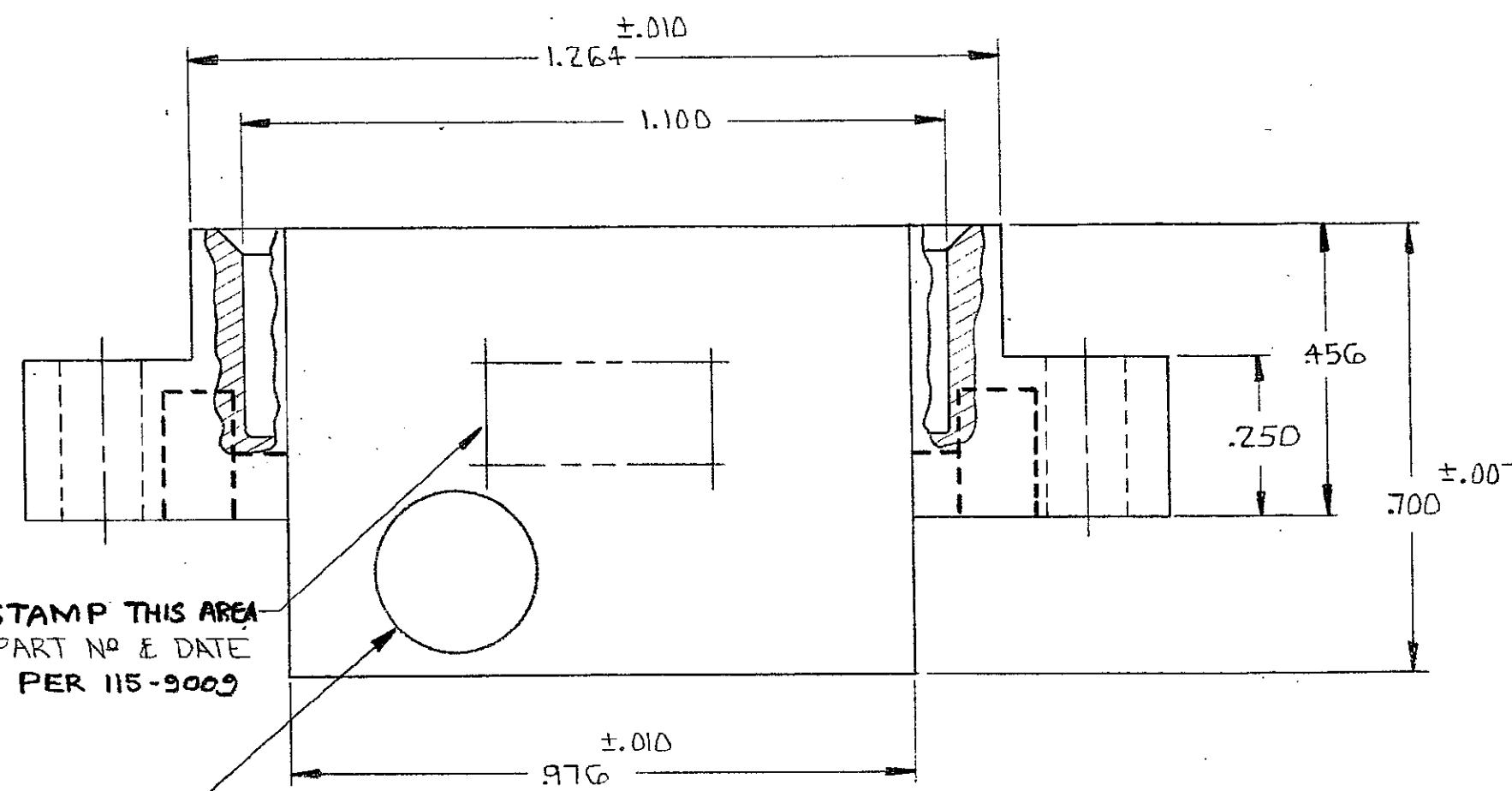
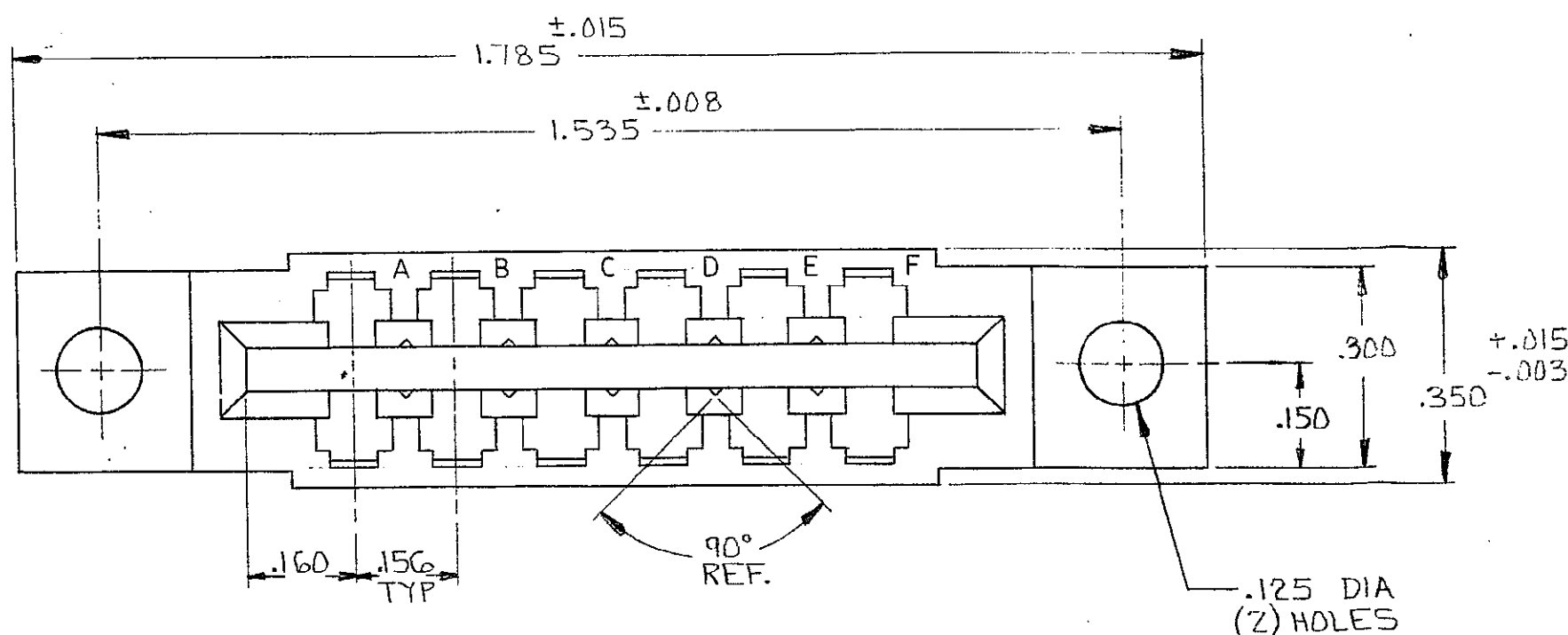


© 1977 BY AMP INCORPORATED. ALL RIGHTS RESERVED. AMP PRODUCTS COVERED BY PATENTS AND/OR PATENTS PENDING.

OBSoLETE ~~583722-1~~ WAS SHOWN
~~583722-3~~ IS SAME AS 1 EXCEPT
WITH SPECIAL MARKING

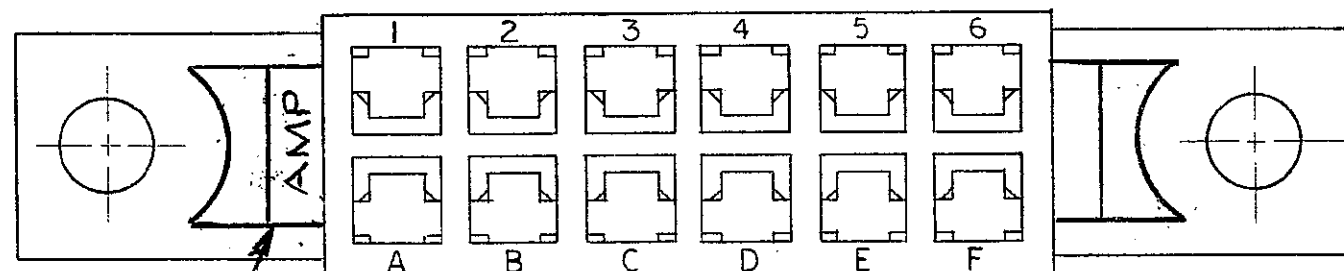
REVISIONS				
ZONE	LTR	DESCRIPTION	DATE	APPROVED
	0	RELEASED W/AS 5112-132-2 CUST.	J.W. 6-1-77	
	01	ADDED -2	4178 M.S. 7-3-74	M.Z.
	A	REVISED MAT'L.	4657 DR 1-9-76	DR.
	B	REVISED NOTE 2	7490 PZ 8-7-81	
	C	REV PER ADO702	9/14/85	CP
	D	REV PER AD 1735	7-22-89	LBW
	E	REV PER AD 3180	1/89	LLJ/HWR
	F	REV PER 0010-0337-95	10-17-95	P.B.
	G	REV PER EC 0320-349-97	25 NOV 97	NS



HOT STAMP THIS AREA
'AMP', PART NO & DATE
CODE PER 115-9009

583722-3
ONLY

- 1. ACCEPTS .055 TO .070 THICK P.C. BOARD.
- △ .250 ±.015 DIA. WHITE DOT INK STAMPED IN LOWER LEFT HAND CORNER ON EITHER SIDE OF HOUSING
- △ VOID CORING PERMISSIBLE AT AMP'S OPTION REF ONLY



UNLESS OTHERWISE SPECIFIED, DIMENSIONS ARE IN INCHES TOLERANCES ON: DECIMALS ±.005 ANGLES ± #	CONTRACT NO.		AMP AMP INCORPORATED HARRISBURG, PENNSYLVANIA	
	DR	6/4/71		
	CHK	6/11/71	NAME	HOUSING, AMP LEAF, 6 POSITION, DUAL .156 E
	APPD	6/11/71	SIZE	C
MATERIAL HOUSING : GLASS FILLED NYLON OR POLYESTER COLOR: BLACK	REL	6-18-71	CODE IDENT NO.	00779
DSGN APPD	OTHER APPD	NUMBER	583722	
SCALE			SHEET 1 OF 1	

CUSTOMER DRAWING

NUMBER 583722

单击下面可查看定价，库存，交付和生命周期等信息

[>>TE Connectivity\(泰科\)](#)