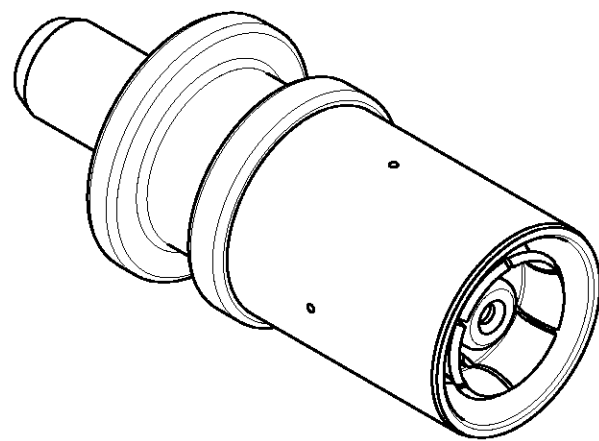
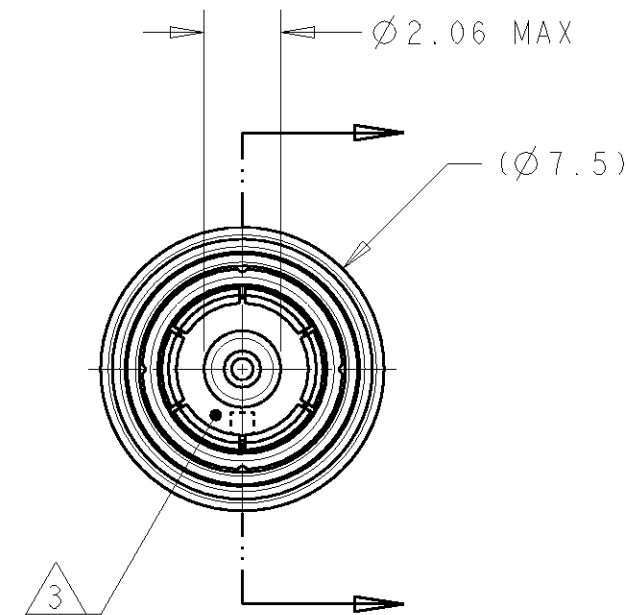
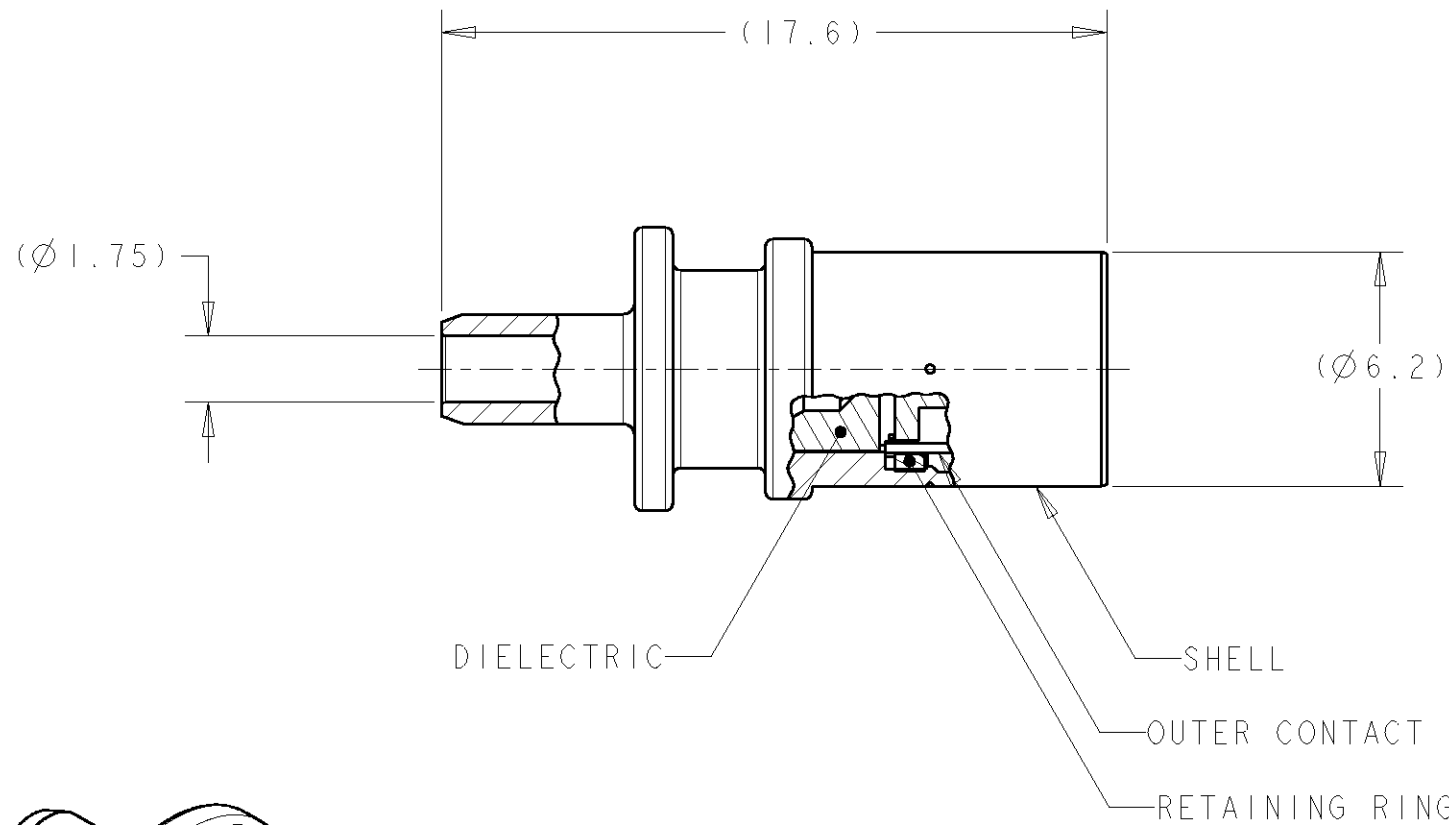


THIS DRAWING IS UNPUBLISHED. RELEASED FOR PUBLICATION 20  
 © COPYRIGHT 20 BY TYCO ELECTRONICS CORPORATION. ALL RIGHTS RESERVED.

LOC	DIST	REVISIONS					
		P	LTR	DESCRIPTION	DATE	DWN	APVD
IN	00		A	INITIAL RELEASE	17OCT2006	DJH	JWH
			B	ECR-09-025761	21DEC2009	KP	LV

- 1 SHELL: ZINC.  
OUTER CONTACT: COPPER.  
RETAINING RING: BRASS.  
DIELECTRIC: POLYESTER PBT, CURRY.
  - 2 SHELL: 2.0µm MIN TIN OVER 1.0µm MIN NICKEL, BOTH OVER 5.08µm MIN COPPER.  
OUTER CONTACT: 3.75µm MIN TIN OVER 1.27µm MIN NICKEL.  
RETAINING RING: 2.03µm MIN TIN OVER 1.27µm MIN NICKEL.
  - 3 PLUG SUBASSEMBLY ACCEPTS JACK SUBASSEMBLIES MEETING DIN 72594-1,  
ROAD VEHICLES - RADIO FREQUENCY INTERFACE - DIMENSIONS AND ELECTRICAL REQUIREMENTS.
4. SEE INSTRUCTION SHEET 408-10028.  
 5. THIS PRODUCT HAS NOT COMPLETED VALIDATION TESTING ON 1.5C-2V CABLE.



ISOMETRIC VIEW

1924131-1  
 PART NUMBER

<small>THIS DRAWING IS A CONTROLLED DOCUMENT FOR TYCO ELECTRONICS CORPORATION          IT IS SUBJECT TO CHANGE AND THE CONTROLLING ENGINEERING ORGANIZATION          SHOULD BE CONTACTED FOR THE LATEST REVISION.</small>		DWN D.J.HARDY 10OCT2006 CHR J.W.HALL 17OCT2006 APVD J.W.HALL 17OCT2006		<b>tyco</b> <b>Electronics</b> Tyco Electronics Harrisburg, PA 17105-3608	
DIMENSIONS: mm		TOLERANCES UNLESS OTHERWISE SPECIFIED: 0 PLC ± 1 PLC ± 2 PLC ± 3 PLC ± 4 PLC ± ANGLES ±		NAME PLUG SUBASSEMBLY, 1.5D-2VS OR 1.5C-2V, FAKRA	
MATERIAL 1		FINISH 2		PRODUCT SPEC - APPLICATION SPEC 114-13157 WEIGHT -	
CUSTOMER DRAWING				SIZE A3 CAGE CODE 00779 DRAWING NO C-1924131	RESTRICTED TO -
SCALE 5:1				SHEET 1 OF 1	REV B

单击下面可查看定价，库存，交付和生命周期等信息

[>>TE Connectivity\(泰科\)](#)