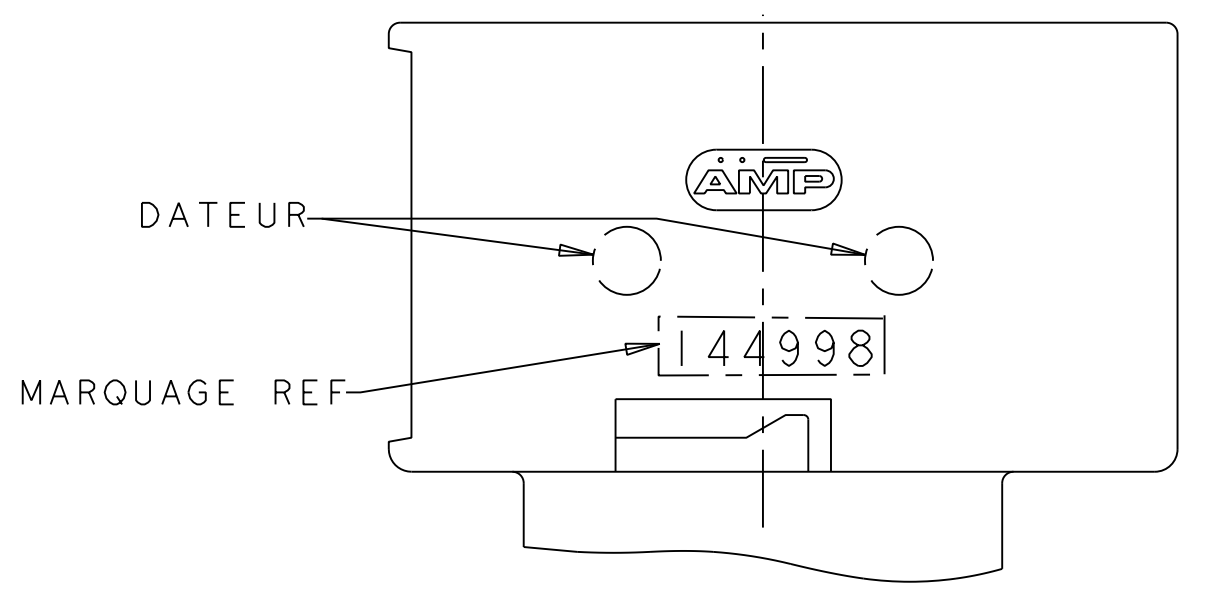
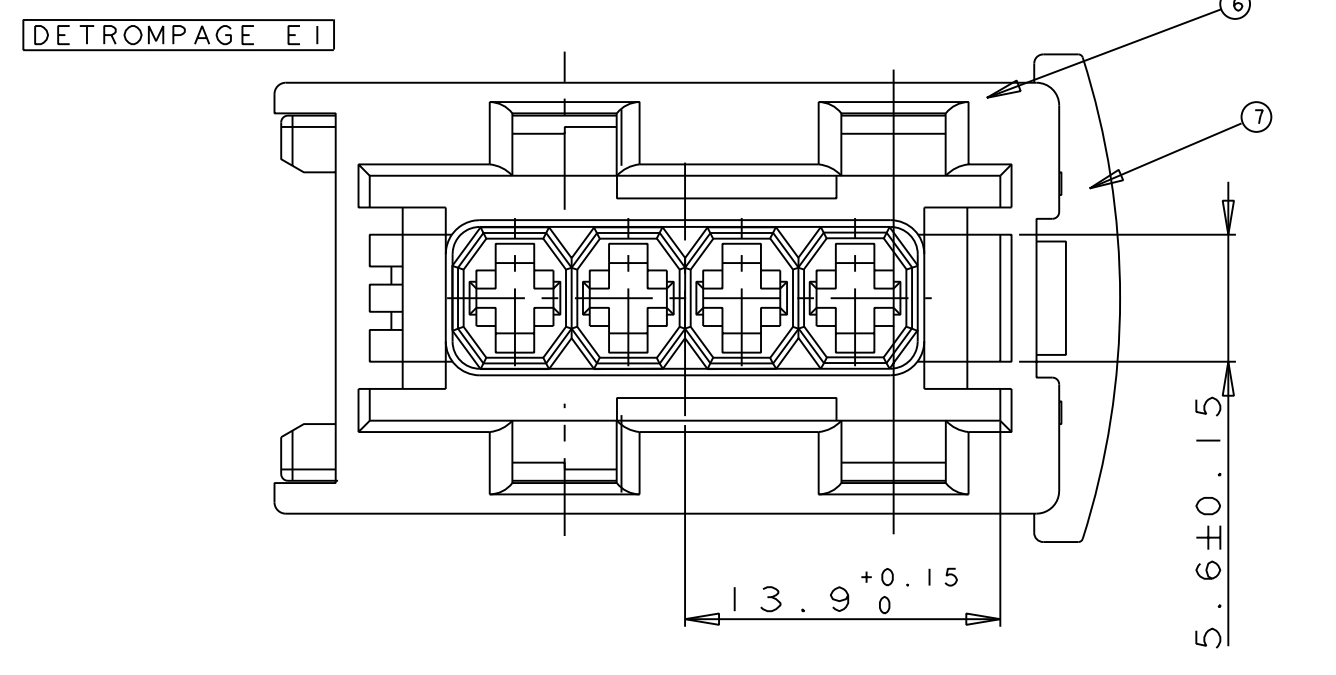
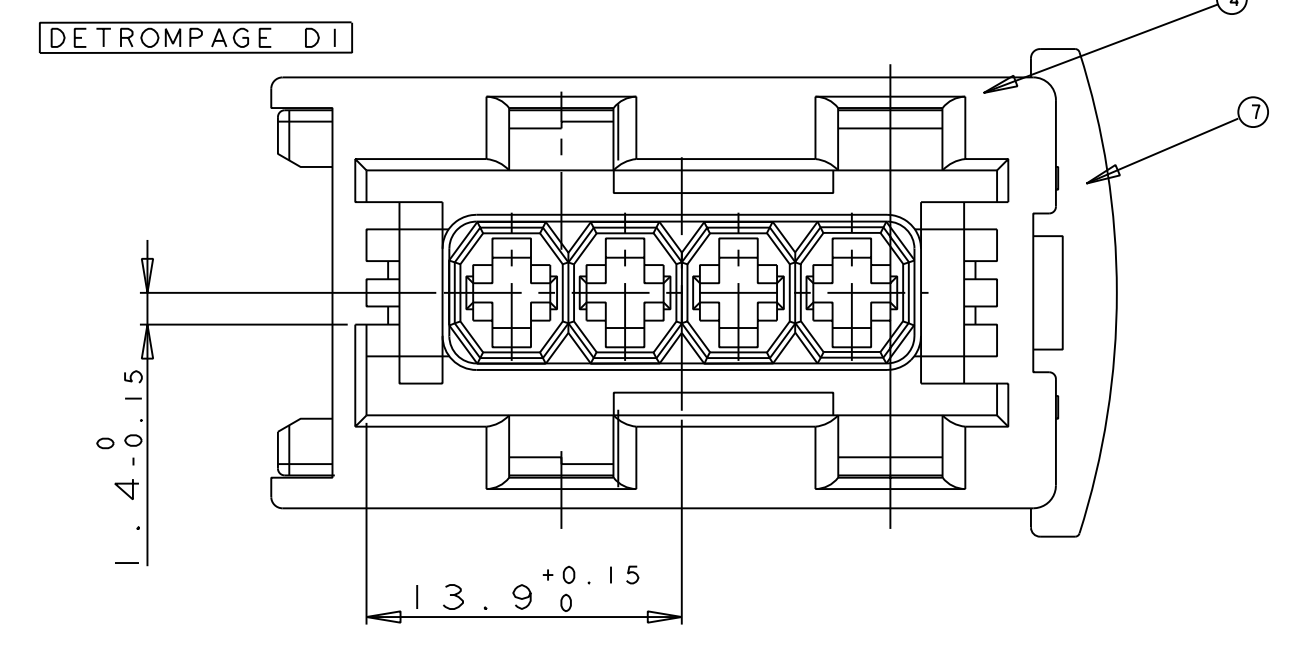
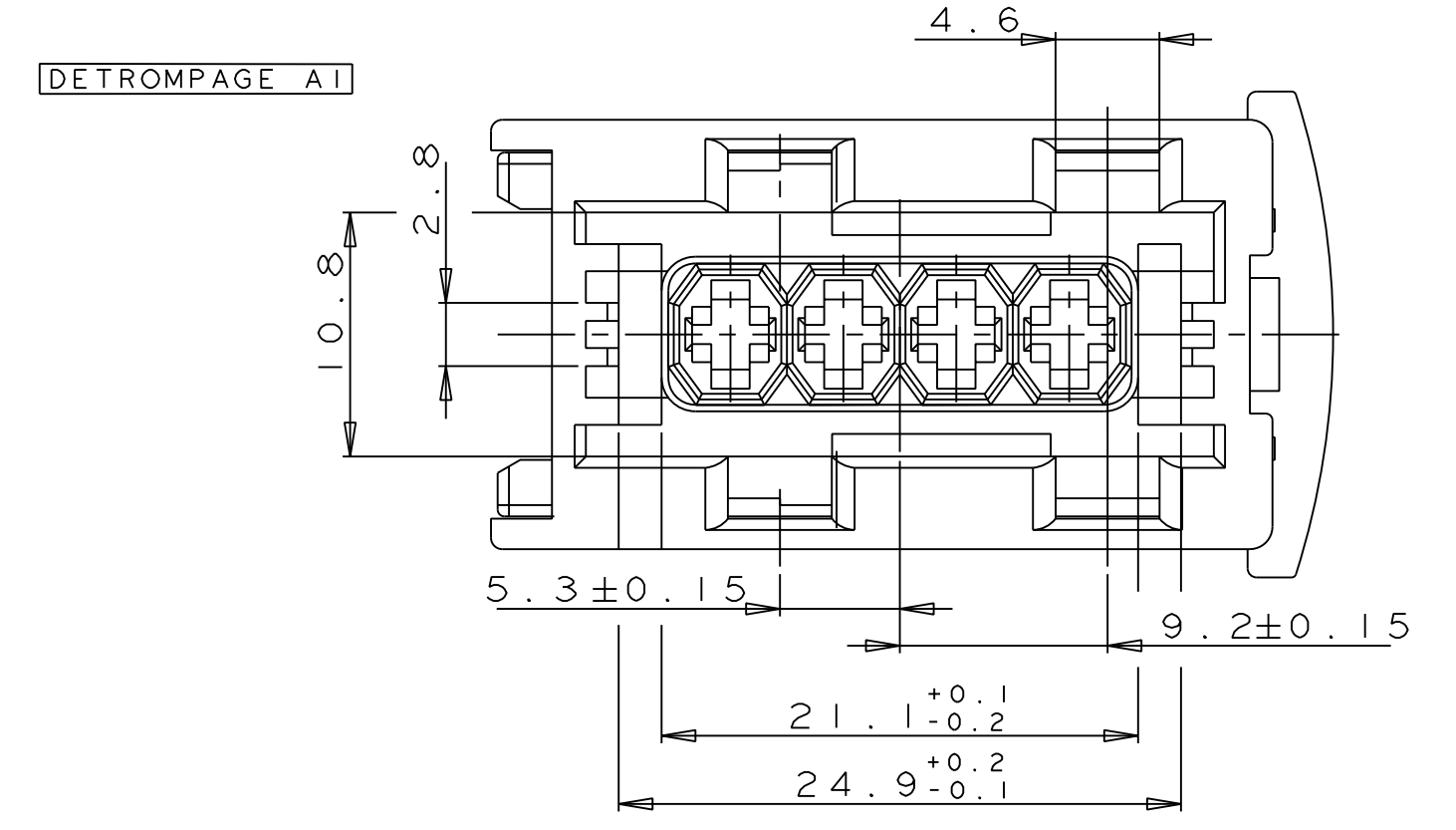
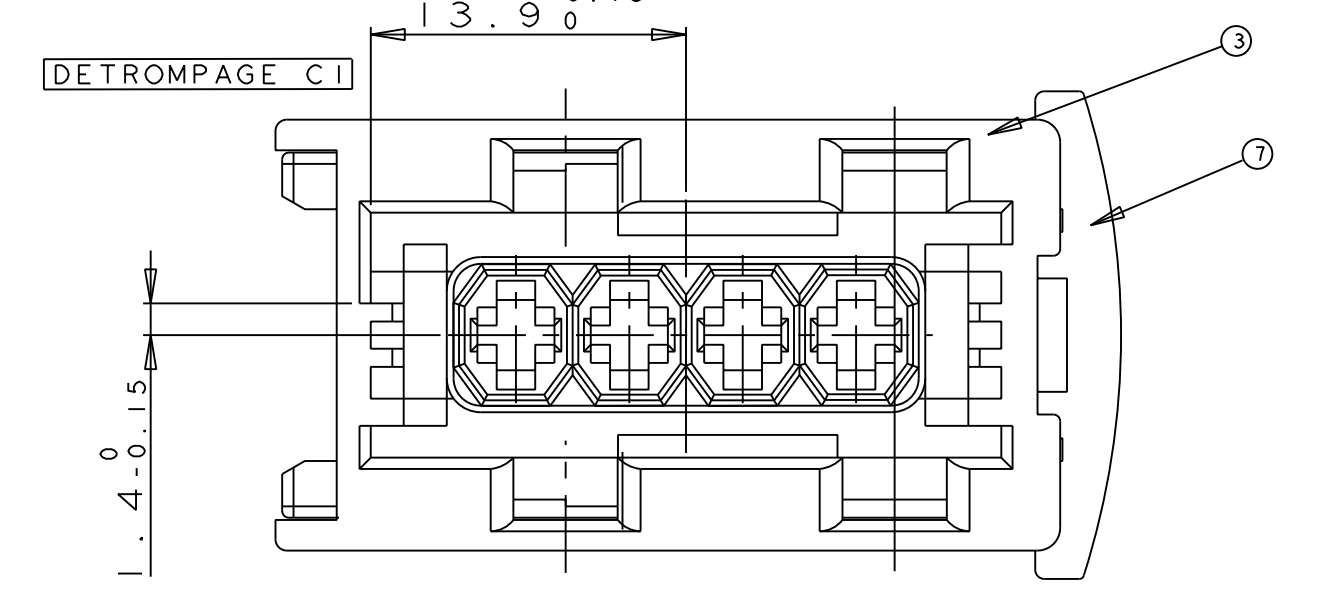
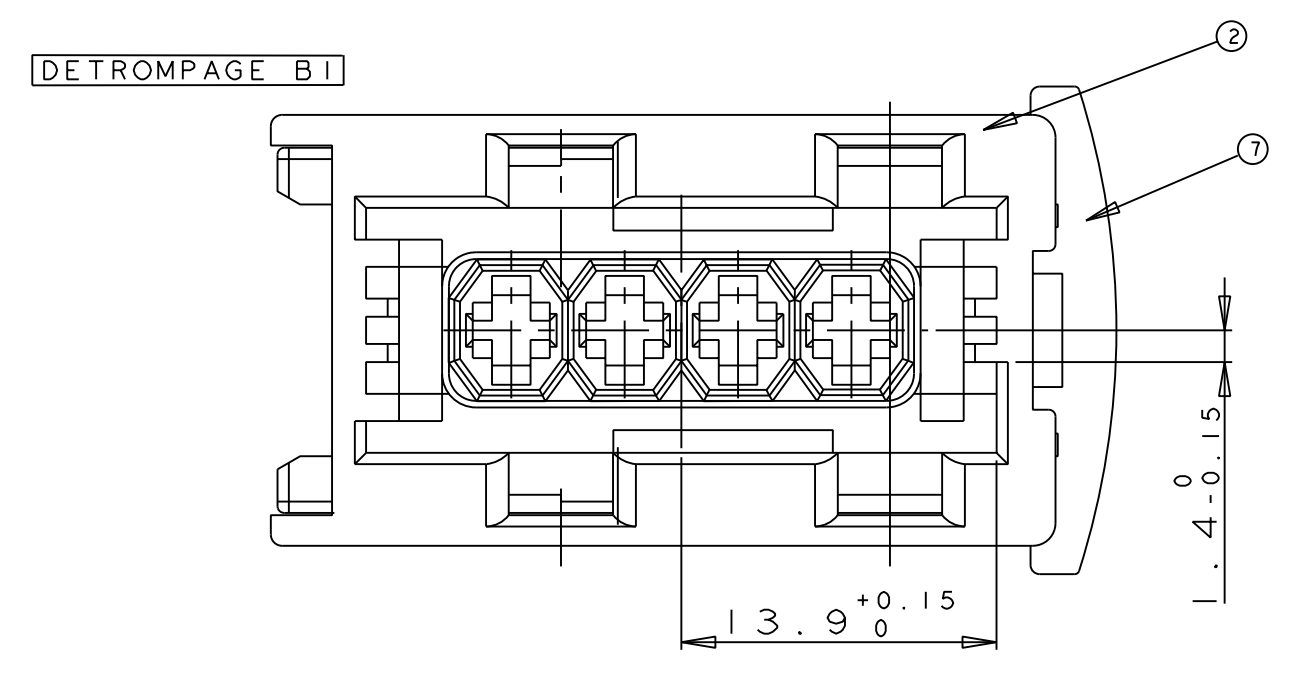
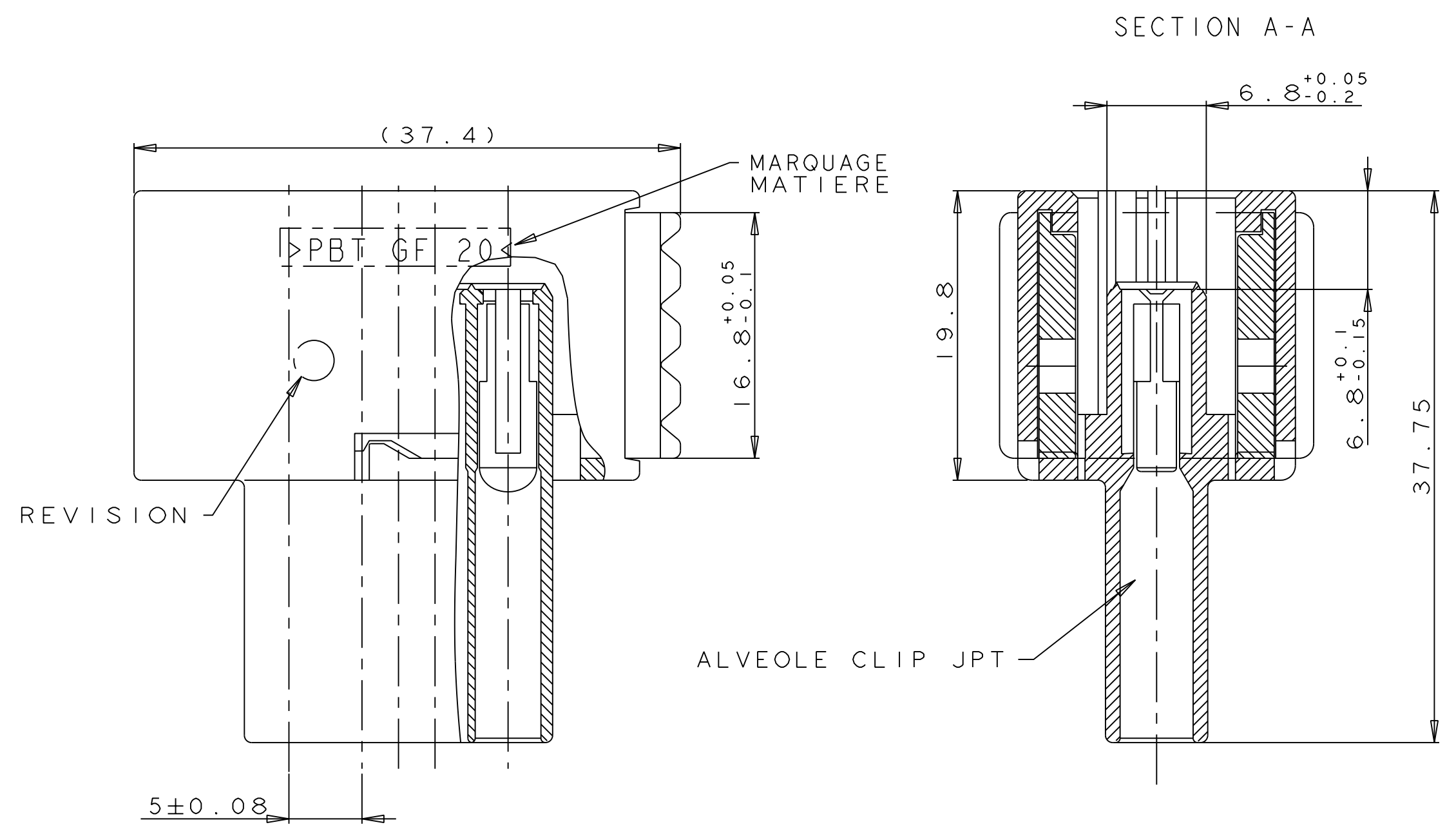
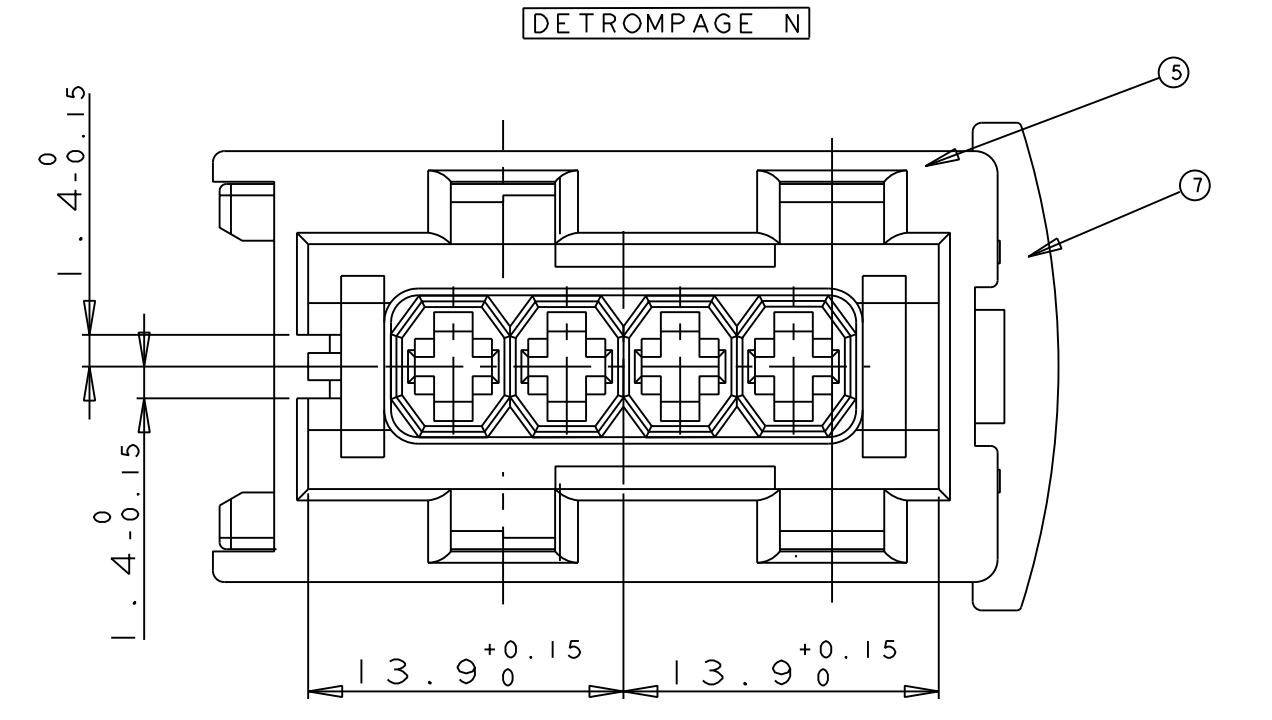
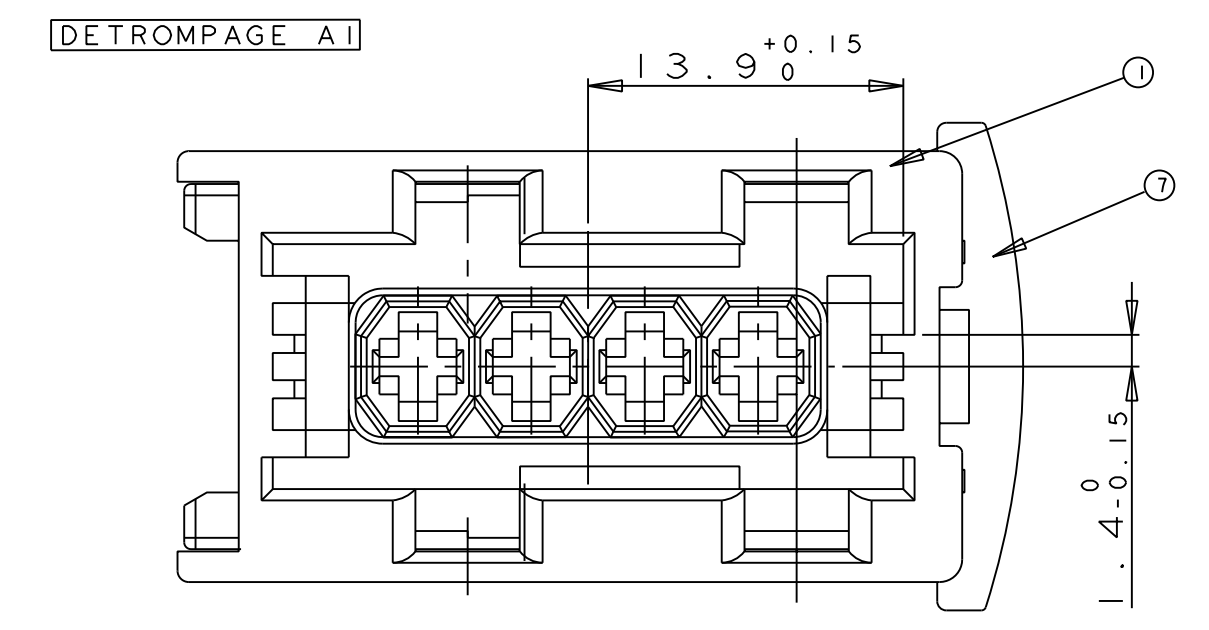
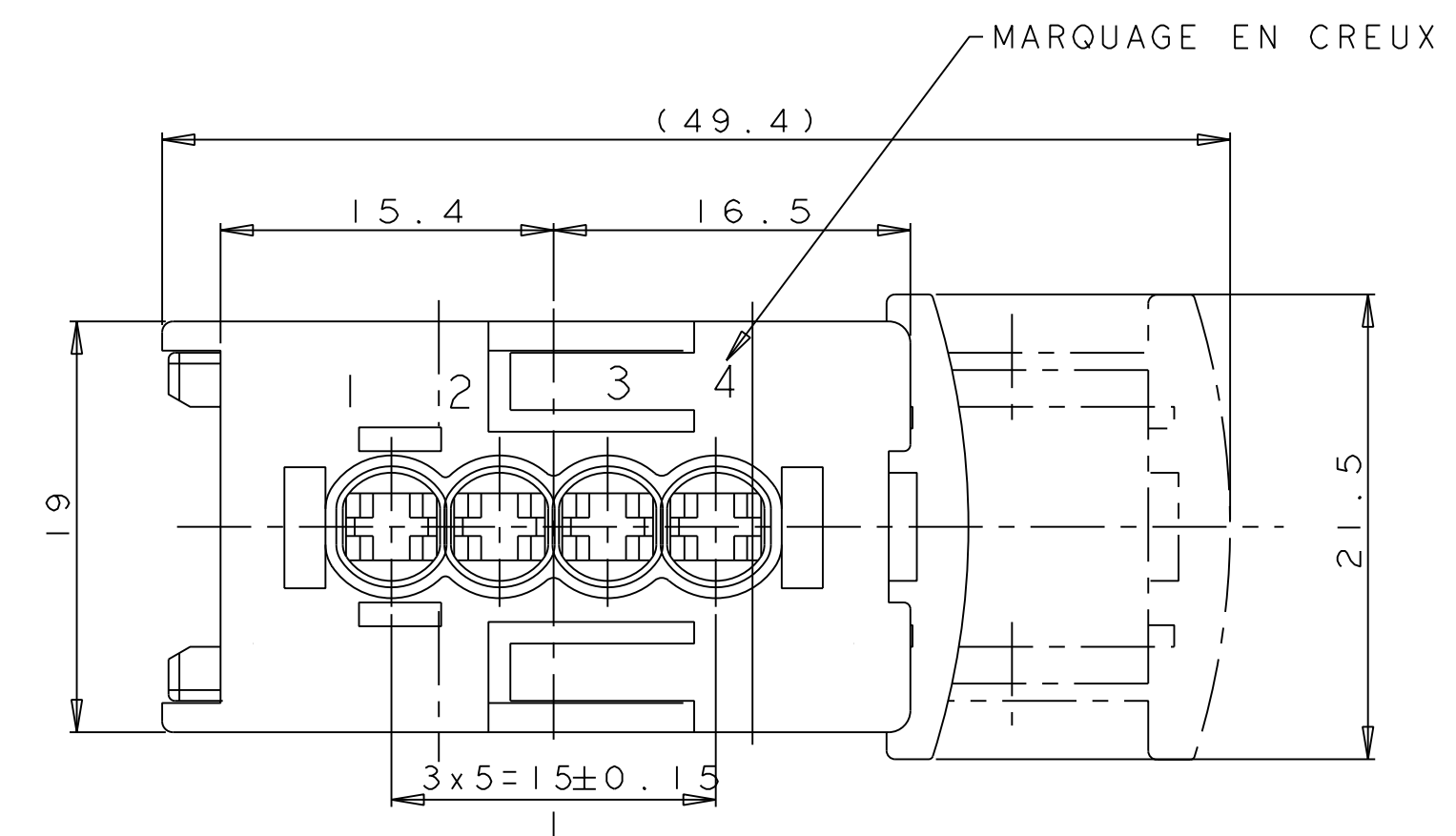


LOC	DIST	REVISIONS						
F	00	P	LYR	REV	DESCRIPTION	DATE	DWN	APP
		A1			REVISED PER ECO-11-005150	28MAR2011	RK	HMR



144998-6	7	ETRIER	PBT 20% CV	ROUGE
BOITIER E1	6	PORTE-CLIP ETANCHE 4 VOIES JPT	PBT 20% CV	VERT
144998-5	7	ETRIER	PBT 20% CV	ROUGE
BOITIER N	5	PORTE-CLIP ETANCHE 4 VOIES JPT	PBT 20% CV	BLANC
144998-4	7	ETRIER	PBT 20% CV	ROUGE
BOITIER D1	4	PORTE-CLIP ETANCHE 4 VOIES JPT	PBT 20% CV	MARRON
144998-3	7	ETRIER	PBT 20% CV	ROUGE
BOITIER C1	3	PORTE-CLIP ETANCHE 4 VOIES JPT	PBT 20% CV	BLEU
144998-2	7	ETRIER	PBT 20% CV	ROUGE
BOITIER B1	2	PORTE-CLIP ETANCHE 4 VOIES JPT	PBT 20% CV	GRIS
144998-1	7	ETRIER	PBT 20% CV	ROUGE
BOITIER A1	1	PORTE-CLIP ETANCHE 4 VOIES JPT	PBT 20% CV	NOIR
REFERENCE TE CONNECTIVITY	COMPOSANT	DESIGNATION	MATIERE	COULEUR

THIS DRAWING IS A CONTROLLED DOCUMENT.

DIMENSIONS: mm

TOLERANCES UNLESS OTHERWISE SPECIFIED (TOLERANCES NON SPECIFIEES SAUF INDICATION DE DECIMALES):

- FRACTIONNES ±
- DECIMALES ±0.2
- ANGLES ±4°

FINISH

WEIGHT: MASSE APPROX. 0.0102Kg

DATE: 05MAY2008

DESIGNED BY: C. SALGADO

CHECKED BY: JP. PICAUD

APPROVED BY: JP. PICAUD

PRODUCT SPEC. PRODUCT: 108-15103

APPLICATION SPEC. APPLICATION: 411-15530

SIZE: A1

CAGE CODE: 100779

DRAWING NO: 144998

SCALE: 3:1

SHEET: 1 OF 1

REV: A1

RESTRICTED TO RESERVE A

STE TE Connectivity

PORTE CLIPS ETANCHE 4 VOIES JPT

单击下面可查看定价，库存，交付和生命周期等信息

[>>TE Connectivity\(泰科\)](#)