

THIS DRAWING IS UNPUBLISHED.

RELEASED FOR PUBLICATION

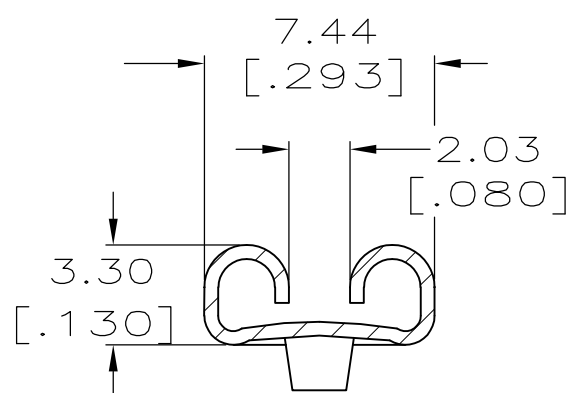
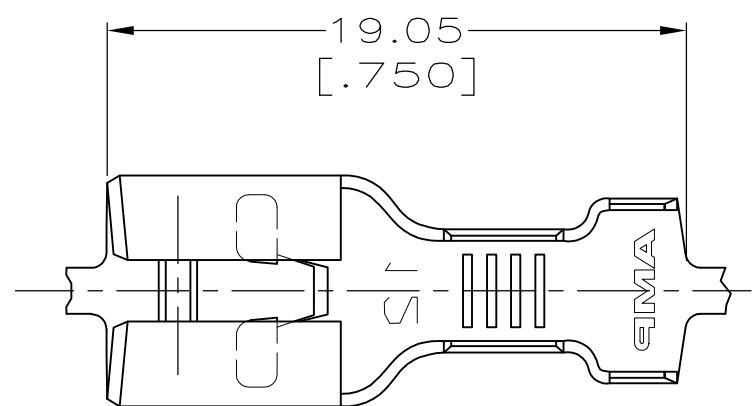
ALL RIGHTS RESERVED.

© COPYRIGHT - By -

LOC AF DIST 50

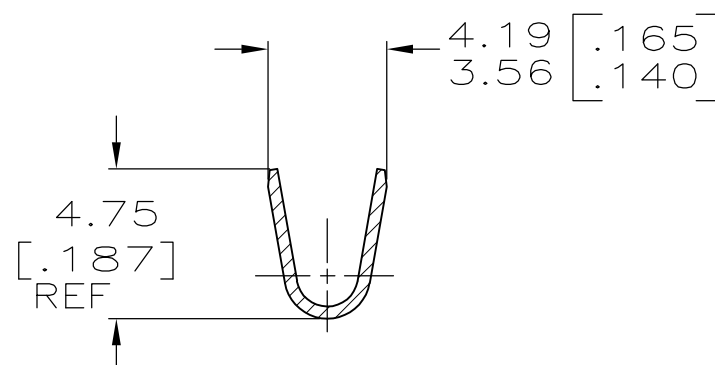
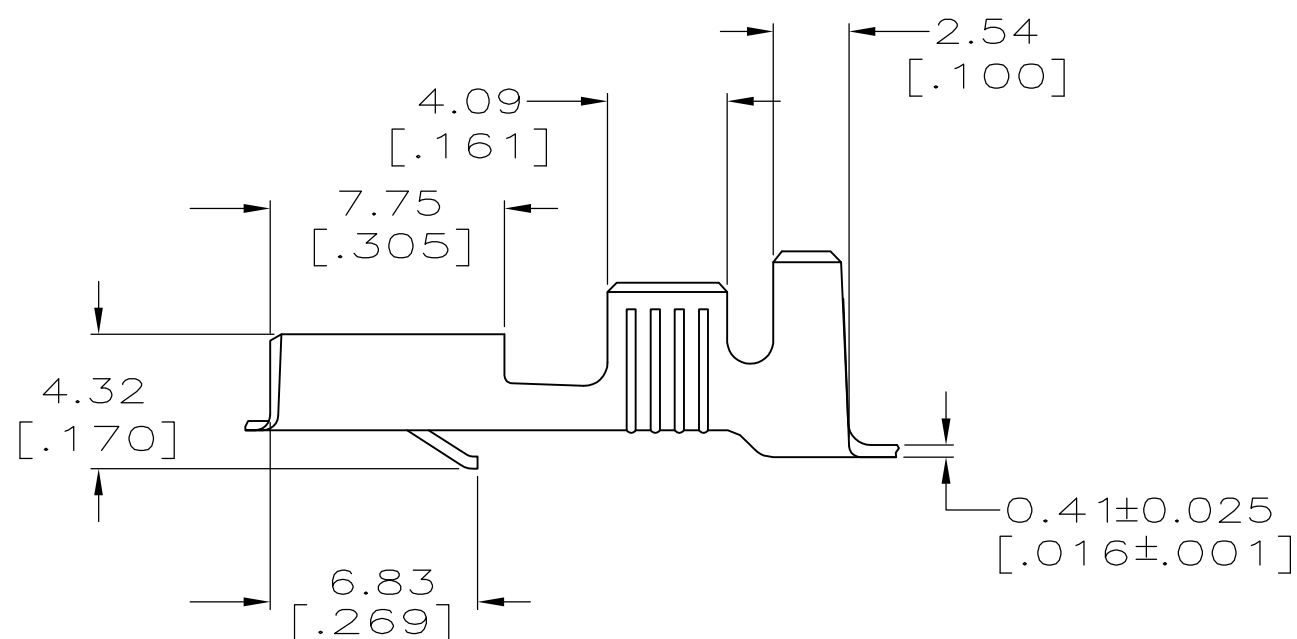
REVISIONS

P	LTR	DESCRIPTION	DATE	DWN	APVD
D		REVISED PER ECR-13-005733	27AUG2013	KH	PD

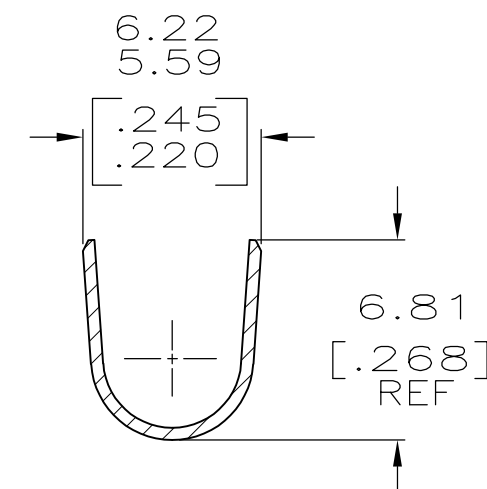


SECTION A-A

- 1 CONTINUOUS STRIP ON REELS.
- 2 WIRE SIZES [#16-#12] AWG.
- 3 INSULATION DIA IS 3.81-4.83 [.150-.190] DIA.
- 4 MATING TAB THK IS 0.81±0.025 [.032±.001].


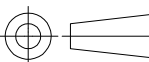


SECTION B-B



SECTION C-C

62891-1
PART NO.

THIS DRAWING IS A CONTROLLED DOCUMENT.		DWN JR RUTH 1/29/98	 TE Connectivity		
DIMENSIONS: mm [INCHES]		CHK P FORTNEY 1/29/98			
TOLERANCES UNLESS OTHERWISE SPECIFIED:		APVD J GILLESPIE 1/29/98	RECEPTACLE, FASTIN-FASTON, 6.35 [.250] SERIES		
 0 PLC ± - 1 PLC ± - 2 PLC ± 0.38 [.015] 3 PLC ± - 4 PLC ± - ANGLES ± -		PRODUCT SPEC -	SIZE		
MATERIAL BRASS		APPLICATION SPEC -	CAGE CODE	DRAWING NO	RESTRICTED TO
FINISH TIN		WEIGHT -	A300779	C-62891	-
CUSTOMER DRAWING			SCALE 4:1	SHEET 1 OF 1	REV D

单击下面可查看定价，库存，交付和生命周期等信息

[>>TE Connectivity\(泰科\)](#)