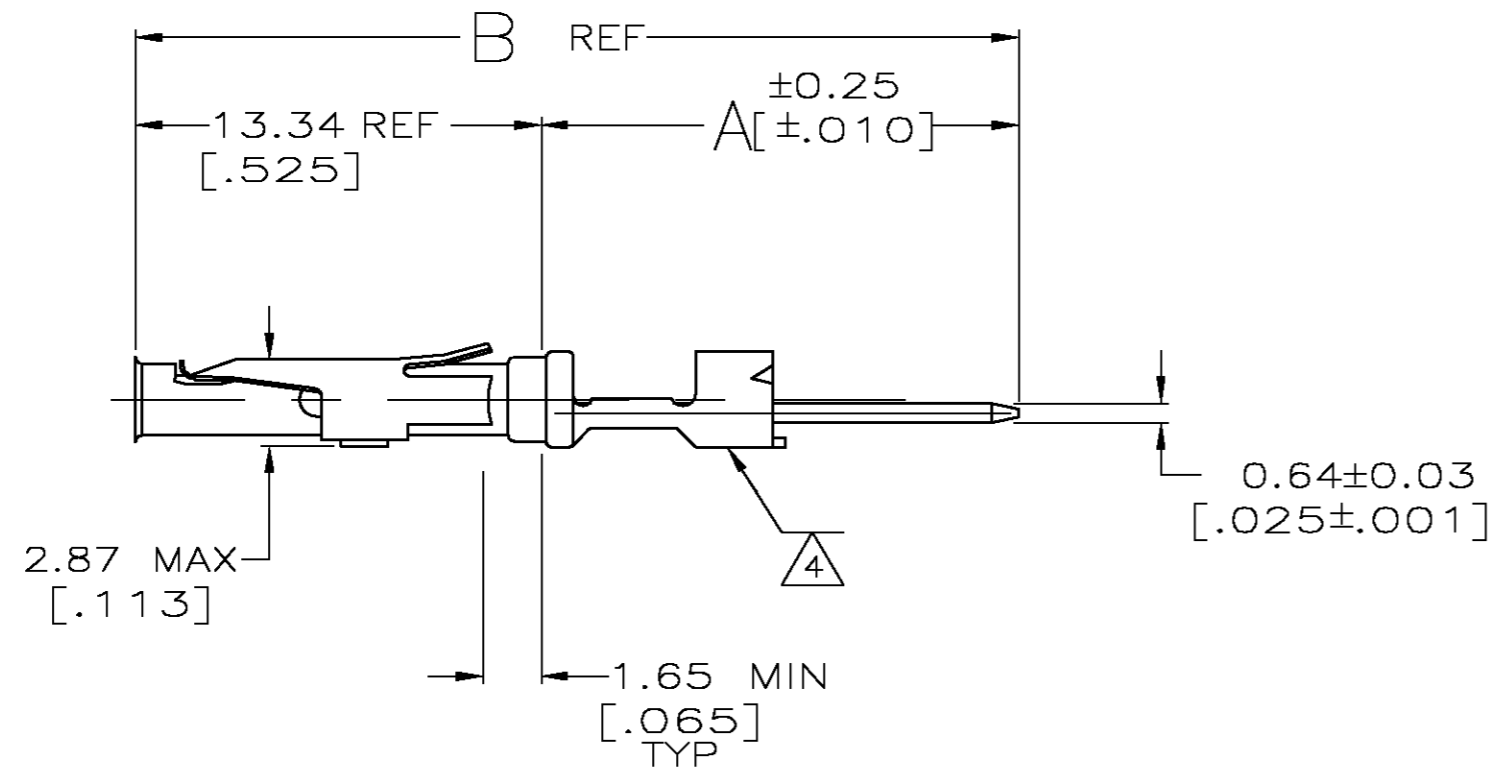
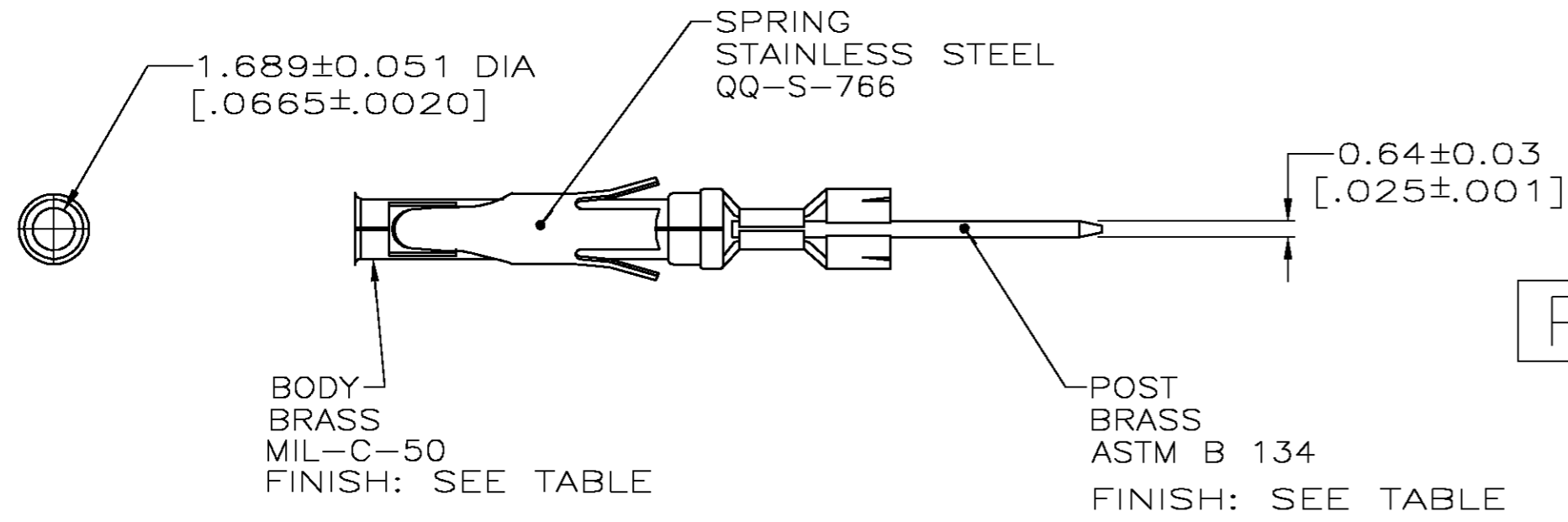


THIS DRAWING IS UNPUBLISHED. RELEASED FOR PUBLICATION
 © COPYRIGHT BY TYCO ELECTRONICS CORPORATION. ALL RIGHTS RESERVED.

LOC		DIST		REVISIONS			
P	LTR	DESCRIPTION	DATE	DWN	APVD		
AV		REVISED PER 0G3B-0023-05	2/3/05	SS	GS		



- △ 2.54 μm [.000100] MIN TIN-LEAD PER MIL-T-10727 OVER 1.27 μm [.000050] MIN NICKEL PER QQ-N-290.
- △ 0.76 μm [.000030] MIN GOLD PER MIL-G-45204 ON MATING END FOR A LENGTH OF 5.08 [.200] MIN WITH A UNIFORM GRADIENT TO 0.25 μm [.000010] MIN GOLD PER MIL-G-45204 ON THE REMAINDER OVER 1.27 μm [.000050] MIN NICKEL PER QQ-N-290.
- △ 2.54 μm [.000100] MIN TIN-LEAD PER MIL-T-10727 OVER 2.54 μm [.000100] MIN COPPER PER MIL-C-14550.
- △ GOLD PLATING NEED NOT APPEAR ON WIRE BARREL.
- △ 0.76 μm [.000030] MIN GOLD PER MIL-G-45204 ON MATING END FOR A LENGTH OF 5.08 [.200] MIN, GOLD FLASH ON THE REMAINDER OVER 1.27 μm [.000050] MIN NICKEL PER QQ-N-290.
- △ .000100 MIN TIN PER MIL-T-10727, OVER .000050 MIN NICKEL PER QQ-N-290.
- △ .000030 MIN GOLD PER MIL-G-45204, OVER .000050 MIN NICKEL PER QQ-N-290.

PRELIMINARY

OBSOLETE

OBSOLETE

B	A	NO OF TERM	POST FINISH	BODY FINISH	PART NUMBER
34.44 [1.356]	21.11 [.831]	2	△6	△6	5-66461-8
34.44 [1.356]	21.11 [.831]	2	△7	△6	5-66461-7
29.13 [1.147]	15.80 [.622]	1	△6	△2	5-66461-6
29.13 [1.147]	15.80 [.622]	1	△6	△5	5-66461-5
29.13 [1.147]	15.80 [.622]	1	△6	△6	5-66461-4
34.44 [1.356]	21.11 [.831]	2	△3	△1	5-66461-3
30.68 [1.208]	17.35 [.683]	SPECIAL	△3	△1	2-66461-2
34.44 [1.356]	21.11 [.831]	2	△3	△1	2-66461-1
41.48 [1.633]	28.14 [1.108]	SPECIAL	△3	△5	2-66461-0
30.68 [1.208]	17.35 [.683]	SPECIAL	△3	△1	1-66461-9
29.64 [1.167]	16.31 [.642]	SPECIAL	△3	△5	1-66461-8
27.97 [1.101]	14.63 [.576]	SPECIAL	△3	△5	1-66461-7
25.68 [1.011]	12.34 [.486]	SPECIAL	△3	△5	1-66461-3
43.46 [1.711]	30.12 [1.186]	SPECIAL	△3	△5	1-66461-0
39.24 [1.545]	25.91 [1.020]	3	△3	△5	66461-9
34.44 [1.356]	21.11 [.831]	2	△3	△5	66461-8
29.13 [1.147]	15.80 [.622]	1	△3	△5	66461-7
39.24 [1.545]	25.91 [1.020]	3	△3	△2	66461-6
34.44 [1.356]	21.11 [.831]	2	△3	△2	66461-5
29.13 [1.147]	15.80 [.622]	1	△3	△2	66461-4
39.24 [1.545]	25.91 [1.020]	3	△3	△1	66461-3
34.44 [1.356]	21.11 [.831]	2	△3	△1	66461-2
29.13 [1.147]	15.80 [.622]	1	△3	△1	66461-1

THIS DRAWING IS A CONTROLLED DOCUMENT.

DWN: C.OBERMANN 07/02/92
 CHK: R.STONE 7-8-92
 APVD: C.OBERMANN 7-10-92

Tyco Electronics Corporation
 Harrisburg, Pa 17105-3608

NAME: SOCKET CONTACT, CRIMPED
 .062 DIA, .025 X .025 POST,
 AUTOWIRE

SIZE: A2 CAGE CODE: 00779 DRAWING NO: C=66461 RESTRICTED TO: -


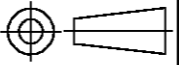
MATERIAL: SEE CALLOUT FINISH: SEE CALLOUT WEIGHT: - SCALE: 4:1 SHEET: 1 OF 2 REV: AV

CUSTOMER DRAWING

THIS DRAWING IS UNPUBLISHED. RELEASED FOR PUBLICATION
 © COPYRIGHT BY TYCO ELECTRONICS CORPORATION. ALL RIGHTS RESERVED.

LOC	DIST	REVISIONS			
P	LTR	DESCRIPTION	DATE	DWN	APVD
FT	0	SEE SHEET 1	-	-	-

30.68 [1.208]	17.35 [.683]	SPECIAL	△6	△6	7-66461-0
30.68 [1.208]	17.35 [.683]	SPECIAL	△6	△6	6-66461-5
41.48 [1.633]	28.14 [1.108]	SPECIAL	△6	△5	6-66461-4
39.24 [1.545]	25.91 [1.020]	3	△6	△5	6-66461-3
34.44 [1.356]	21.11 [.831]	2	△6	△5	6-66461-2
39.24 [1.545]	25.91 [1.020]	3	△6	△2	6-66461-1
34.44 [1.356]	21.11 [.831]	2	△6	△2	6-66461-0
39.24 [1.545]	25.91 [1.020]	3	△6	△6	5-66461-9
B	A	NO OF TERM	POST FINISH	BODY FINISH	PART NUMBER

THIS DRAWING IS A CONTROLLED DOCUMENT.		DWN C.OBERMAN 07/02/92	 Tyco Electronics Corporation Harrisburg, Pa 17105-3608	
DIMENSIONS: INCHES		CHK R.STONE 7-8-92	NAME C.OBERMANN	
		APVD C.OBERMANN 7-10-92	PRODUCT SPEC —	
TOLERANCES UNLESS OTHERWISE SPECIFIED:		APPLICATION SPEC —	SIZE A2	
0 PLC ± -		WEIGHT —	CAGE CODE 00779	DRAWING NO C=66461
1 PLC ± -		RESTRICTED TO —		
2 PLC ± 0.13 [.005]		SCALE 4:1		
3 PLC ± -		SHEET 2 OF 2		
4 PLC ± -		REV AV		
ANGLES ± -		CUSTOMER DRAWING		
FINISH SEE CALLOUT				

66461

A

单击下面可查看定价，库存，交付和生命周期等信息

[>>TE Connectivity\(泰科\)](#)