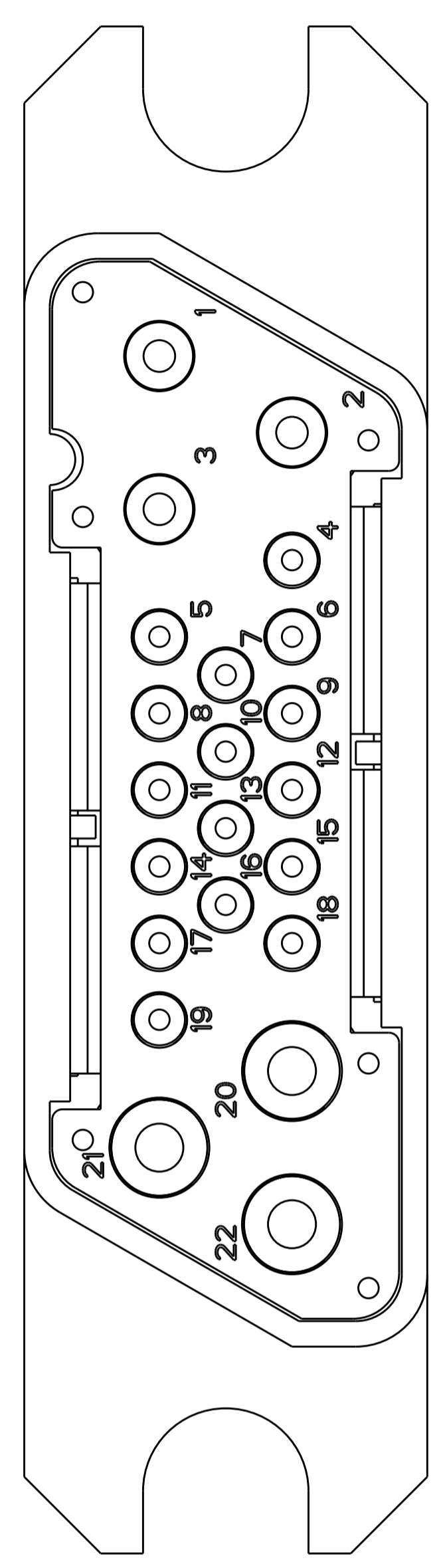
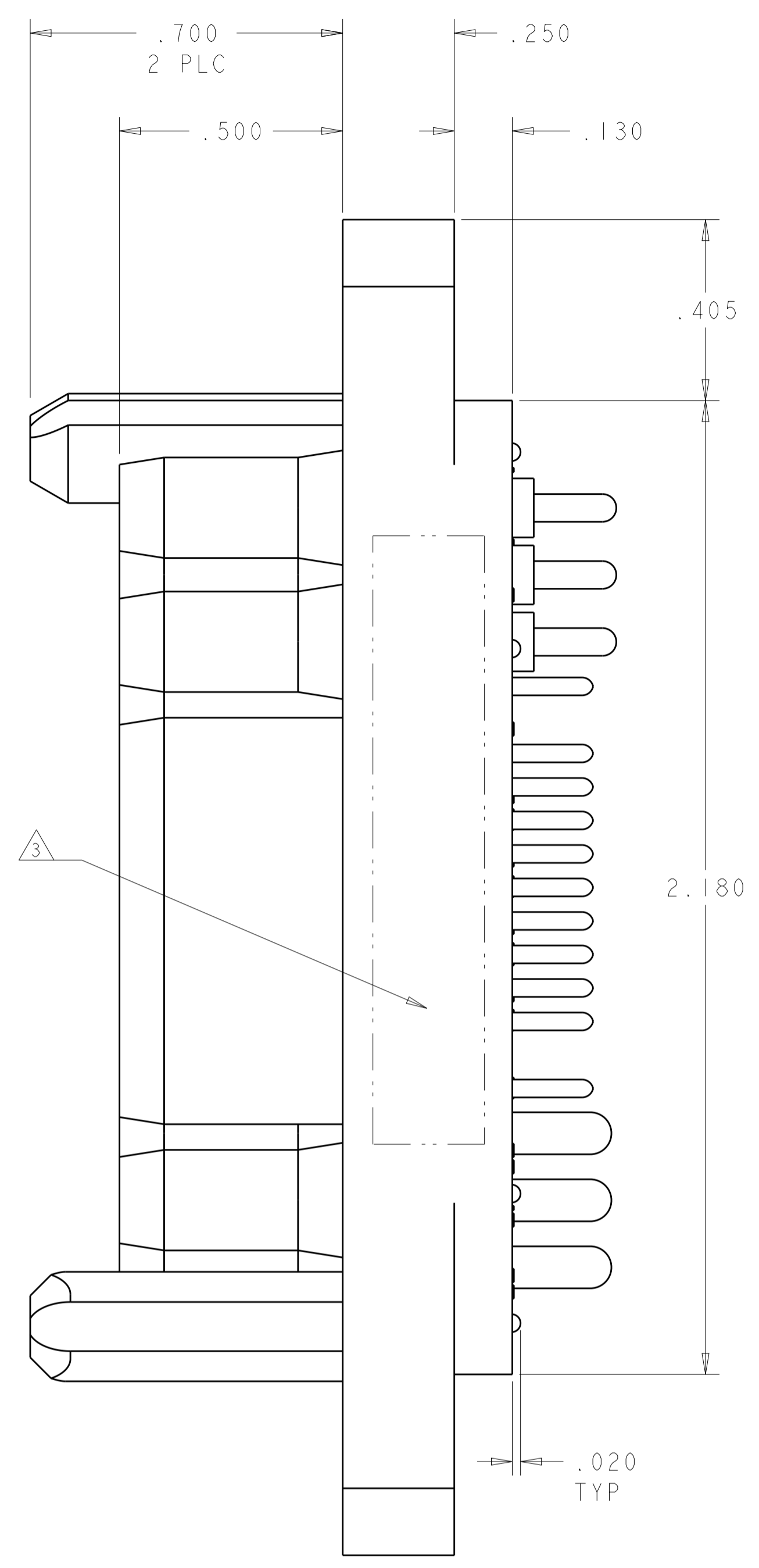
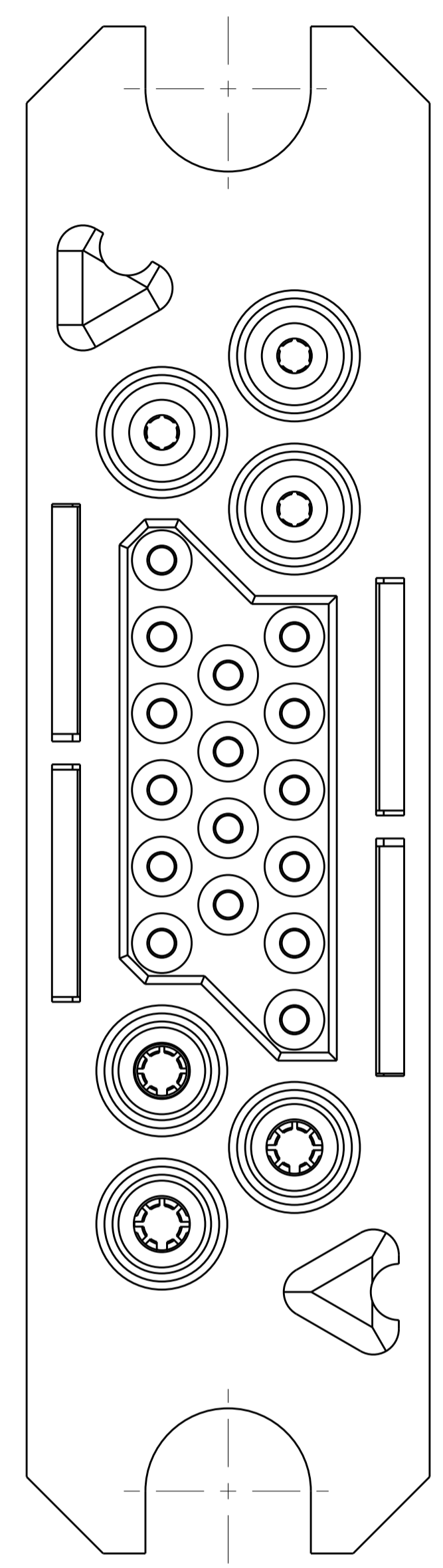


LOC		DIST		REVISIONS			
P	LTN	DESCRIPTION	DATE	DWN	APVD	BM	DO
A		RELEASED	27JUL2012				



REAR VIEW

- SOCKET CONTACT (E)
SIZE #16
POSN. #1 THRU 3
- SOCKET CONTACT (B)
SIZE #20
POSN. #4 THRU 19
- SOCKET CONTACT (C)
SIZE #12 (6648374)
POSN. #20
- SOCKET CONTACT (D)
SIZE #12 (1648387)
POSN. #21 THRU 22

1. PART NUMBER CHANGES AND OR DESIGN CHANGES AFFECTING THE INTERCHANGEABILITY REQUIRE PRIOR TYCO APPROVAL AND AUTHORIZATION BY REVISION TO THIS DRAWING.
2. MATERIAL:
 INSULATOR: THERMOPLASTIC, GLASS REINFORCED, UL 94V-0
 FLAMMABILITY RATED, COLOR: BLACK
 CONTACT: BRASS ALLOY
 CROWN BAND: BERYLLIUM COPPER
 RETENTION CLIP: BERYLLIUM COPPER
3. FINISH:
 CONTACTS SIZE #12 : SILVER .000200" MIN. THK. OVER NICKEL .000040" MIN THK.
 CONTACTS SIZE #16: SILVER .000200" MIN. THK. OVER NICKEL .000040" MIN. THK.
 CONTACTS SIZE #20 : GOLD .000010" MIN. THK. OVER NICKEL .000040" MIN THK.
 CROWN BAND: GOLD (IN CONTACT AREA).000030" MIN. THK. OVER NICKEL .000040" MIN THK.

3 ITEMS PROVIDED TO THIS SPECIFICATION TO BE PERMANENTLY IDENTIFIED PER THE FOLLOWING IDENTIFIER:
 YEAR [] WEEK []

TYCO | PART NO. DATE | CODE (e.g. 0529)
 XXXXXX-X XXXXX

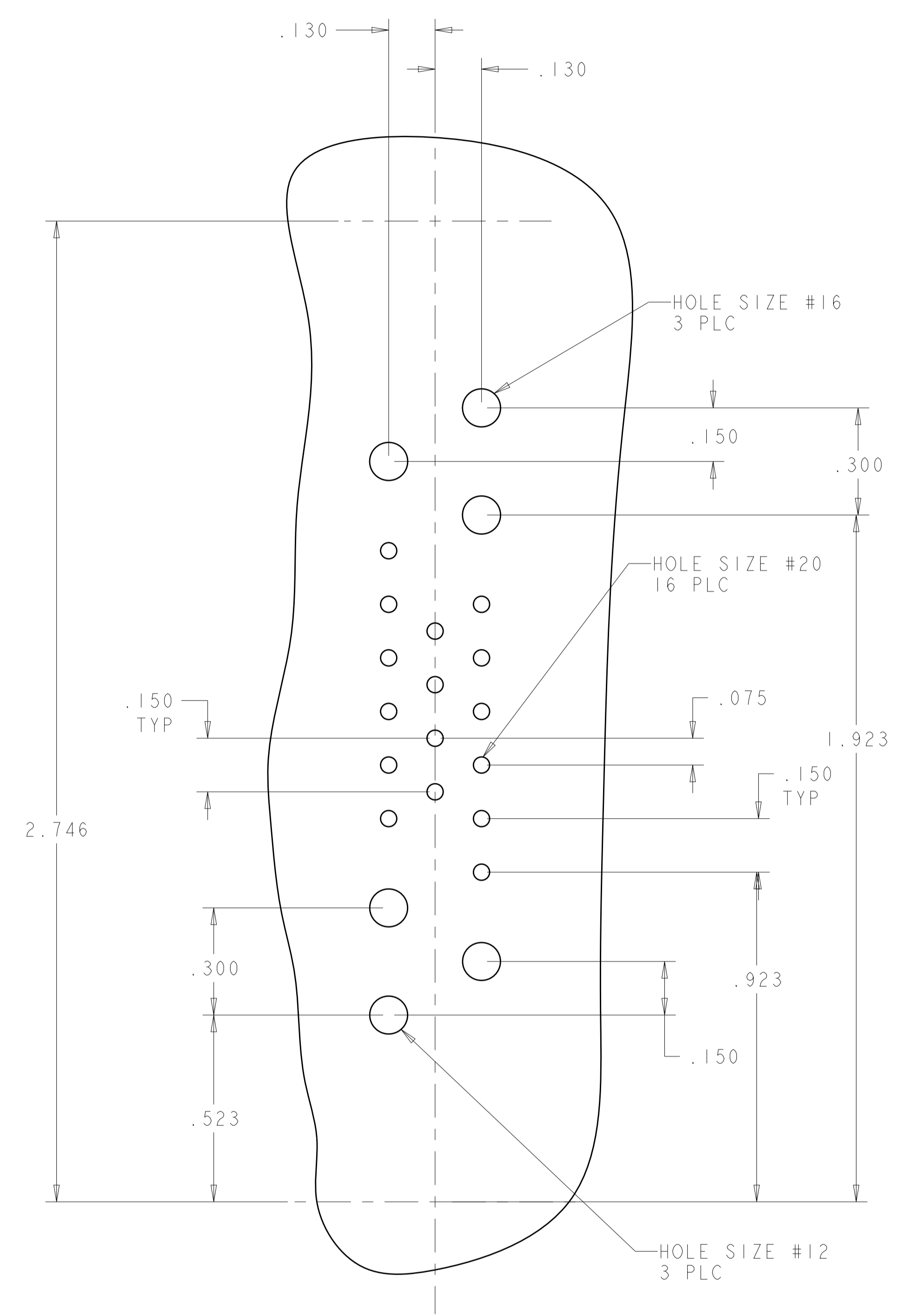
3 PCB TAIL CONTACTS ARE INSERTABLE/ NON-REMOVABLE

ELCON MINI DRAWER

AS SHOWN	2212041-1
DESCRIPTION	PART NUMBER

THIS DRAWING IS A CONTROLLED DOCUMENT.		DWN B. MATTHEWS 27JUL2012	TE Connectivity
DIMENSIONS: INCHES		CHK D. ORRIS 27JUL2012	
TOLERANCES UNLESS OTHERWISE SPECIFIED:		APVD D. ORRIS 27JUL2012	NAME
0 PLC ±		PRODUCT SPEC	CONNECTOR ASSEMBLY, SOCKET WITH PCB TAILS
1 PLC ±.02		APPLICATION SPEC	
2 PLC ±.010		WEIGHT	
3 PLC ±		RESTRICTED TO	
4 PLC ±		Customer Drawing	
ANGLES ±		SCALE 3:1	
MATERIAL	FINISH	SHEET 1 OF 2	
		REV A	

LOC	DIST	REVISIONS					
GP	00	P	LTN	DESCRIPTION	DATE	DWN	APVD
		-		SEE SHEET 1			



PRINTED CIRCUIT BOARD LAYOUT
 VIEW FROM CONNECTOR MOUNTING SIDE

HOLE SIZE #12
 FINISHED HOLE: $\varnothing .104 \pm .003$
 DRILLED HOLE: $\varnothing .106 \pm .0005$
 COPPER PLATE: .0010 - .0020
 TIN PLATE: .0002 MIN THK.

HOLE SIZE #16
 FINISHED HOLE: $\varnothing .108 \pm .003$
 DRILLED HOLE: $\varnothing .1065 \pm .0005$
 COPPER PLATE: .0010 - .0020
 TIN PLATE: .0002 MIN THK.

HOLE SIZE #20
 FINISHED HOLE: $\varnothing .047 \pm .003$
 DRILLED HOLE: $\varnothing .0453 \pm .0005$
 COPPER PLATE: .0010 - .0020
 TIN PLATE: .0002 MIN THK.

3	6648383-1	CONTACT, SOCKET, SIZE #16, PCB TAIL	E
2	1648387-1	CONTACT, SOCKET, SIZE #12, PCB TAIL, HP	D
1	6648374-1	CONTACT, SOCKET, SIZE #12, PCB TAIL	C
16	1648382-1	CONTACT, SOCKET, SIZE #20, PCB TAIL	B
1	1648117-2	HOUSING, SOCKET, PCB MOUNT, NO LABEL	A
-1	PART NUMBER	DESCRIPTION	ITEM

THIS DRAWING IS A CONTROLLED DOCUMENT.		OWN: B. MATTHEWS 27JUL2012	TE Connectivity
DIMENSIONS: INCHES		CHK: D. ORRIS 27JUL2012	
		APVD: D. ORRIS 27JUL2012	NAME: CONNECTOR ASSEMBLY, SOCKET WITH PCB TAILS
TOLERANCES UNLESS OTHERWISE SPECIFIED:		PRODUCT SPEC	RESTRICTED TO
0 PLC ± 1 PLC ±.02 2 PLC ±.010 3 PLC ±.010 4 PLC ± ANGLES ±		APPLICATION SPEC	SIZE: A100779C=2212041
MATERIAL: -		WEIGHT: -	SCALE: 3:1 SHEET 2 OF 2 REV A
FINISH: -		Customer Drawing	

单击下面可查看定价，库存，交付和生命周期等信息

[>>TE Connectivity\(泰科\)](#)