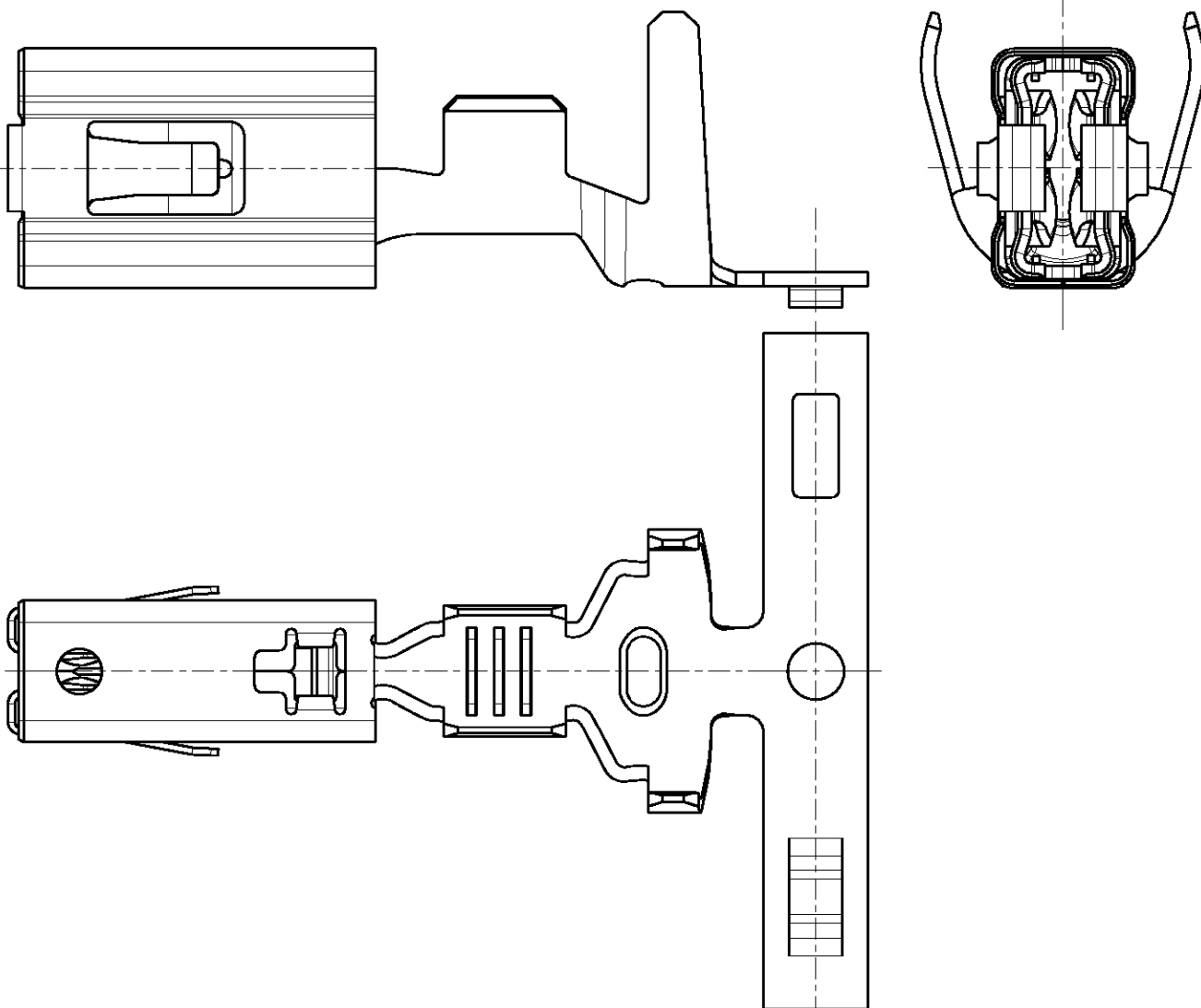


LOC	DIST	REVISIONS				
P	LTR	DESCRIPTION	DATE	DWN	APVD	
A1	-	A	NEW DRAWING	03DEC2001	R.M.	-



REFER TO PRODUCT GROUP DRAWING 1241438
FOR LATEST INFORMATION ON THE PART

Für aktuelle Information zum Teil wird auf die
Produkt - Gruppenzeichnung 1241438 hingewiesen


2001

RELEASED FOR PUBLICATION

THIS DRAWING IS UNPUBLISHED

BY TYCO ELECTRONICS CORPORATION. ALL RIGHTS RESERVED.

© COPYRIGHT 2001

DIMENSIONS: MM	DWN	03DEC2001	MATERIAL	-	FINISH	-
	CHK	03DEC2001	 tyco Electronics AMP GmbH D - 64625 Bensheim			
TOLERANCES UNLESS OTHERWISE SPECIFIED:	R. Meier	R. Schäfer				
0 PLC ±	APVD	-	SIZE	CAGE CODE	DRAWING NO	RESTRICTED TO
1 PLC ±	PRODUCT SPEC	-	A 4	00779	©=1241414	-
2 PLC ±	APPLICATION SPEC	-	CUSTOMER DRAWING			
3 PLC ±	WEIGHT	-	SCALE	5:1	SHEET 1 OF 1	REV A
4 PLC ±						
ANGLES ±						

单击下面可查看定价，库存，交付和生命周期等信息

[>>TE Connectivity\(泰科\)](#)