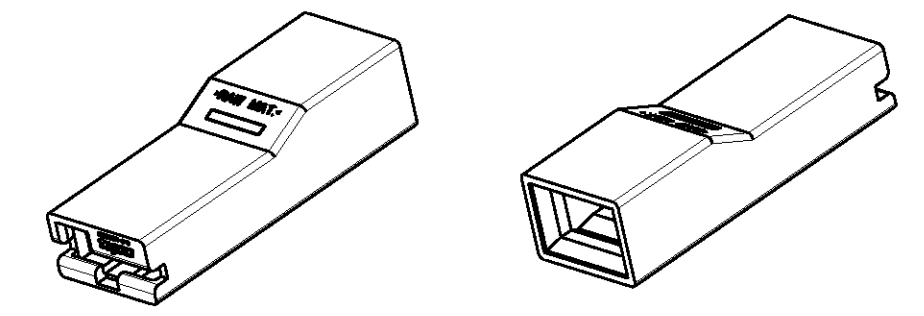
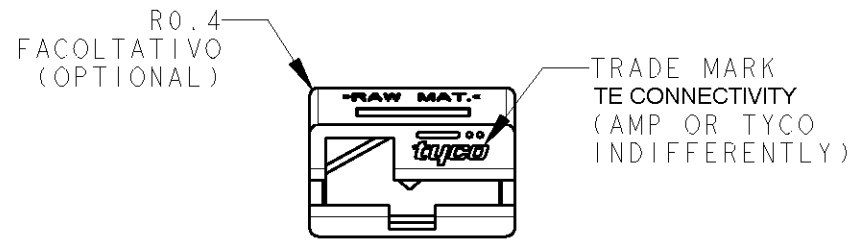
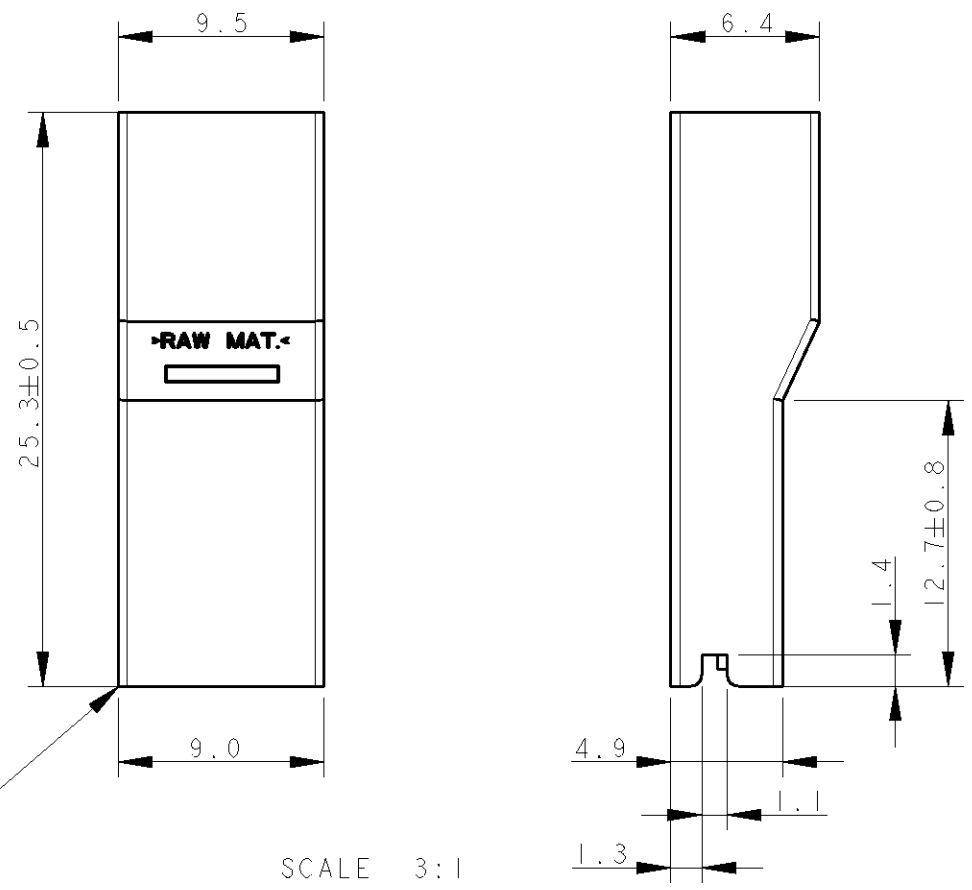


THIS DRAWING IS UNPUBLISHED. RELEASED FOR PUBLICATION
 © COPYRIGHT ALL RIGHTS RESERVED.

LOC	DIST	REVISIONS					
		P	LTR	DESCRIPTION	DATE	DWN	APVD
1	-	W3		REVIDES PER ECR-17-004272	29MAR17	ST	TD



SCALE 2:1



SCALE 3:1

- 1 BLOCCHETTO ADATTO PER TERMINALI FEMMINA PER LA SERIE 6.3 mm FASTON CON RANGO FILO DA 0.8-2.5 MM2. (SUITABLE FOR RECEPTACLE TERMINALS WITH WIRE RANGE 0.8-2.5 mm2).
- 2 BAVA ACCETTABILE: 0.3 MAX (FLASH PERMISSIBLE: 0.3 MAX.)
- 3 SPECIFICA DI PRODOTTO: 108-20035 (PRODUCT SPEC.: 108-20035)
- 4 NON ANCORA RILASCIATO IN PRODUZIONE (NOT YET RELEASED FOR PRODUCTION)

NOTE	COLORE (COLOUR)	MATERIALE (MATERIAL)	PART NUMBER	REV
1,2,3	NATURALE (NATURAL)	PA 6 UNFILLED, UL 94-V2 IEC 60335-1, GW 750°C NO FLAME	280232-8	W
1,2,3	NATURALE (NATURAL)	PA 6.6 UL 94-V0 (PA 6.6 UL 94-V0 UNFILLED)	280232-6	U
1,2,3	NERO (BLACK)	PA 6.6 (PA 6.6 UNFILLED)	280232-5	U
1,2,3	ROSSO (RED)		280232-1	U
1,2,3	NATURALE (NATURAL)		280232	U

DIMENSIONS: mm 		TOLERANCES UNLESS OTHERWISE SPECIFIED: 0 PLC ± 1 PLC ±0.3 2 PLC ± 3 PLC ± 4 PLC ± ANGLES ±2° FINISH -		DWN H. YAALI 29OCT2004 CHK G. TURCO APVD - PRODUCT SPEC SEE NOTE 3 APPLICATION SPEC - WEIGHT -									
MATERIAL SEE TABLE		CUSTOMER DRAWING		NAME POST INSULATION FOR FASTON 6.3 mm series RECEPTACLE CONTACT		SIZE A3		CAGE CODE 00779		DRAWING NO C=280232		RESTRICTED TO -	
				SCALE 3:1		SHEET 1 OF 1		REV W3					

单击下面可查看定价，库存，交付和生命周期等信息

[>>TE Connectivity\(泰科\)](#)