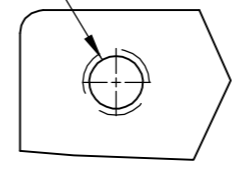


THIS DRAWING IS UNPUBLISHED. RELEASED FOR PUBLICATION - N/A .
 © COPYRIGHT N/A BY TYCO ELECTRONICS CORPORATION. ALL RIGHTS RESERVED.

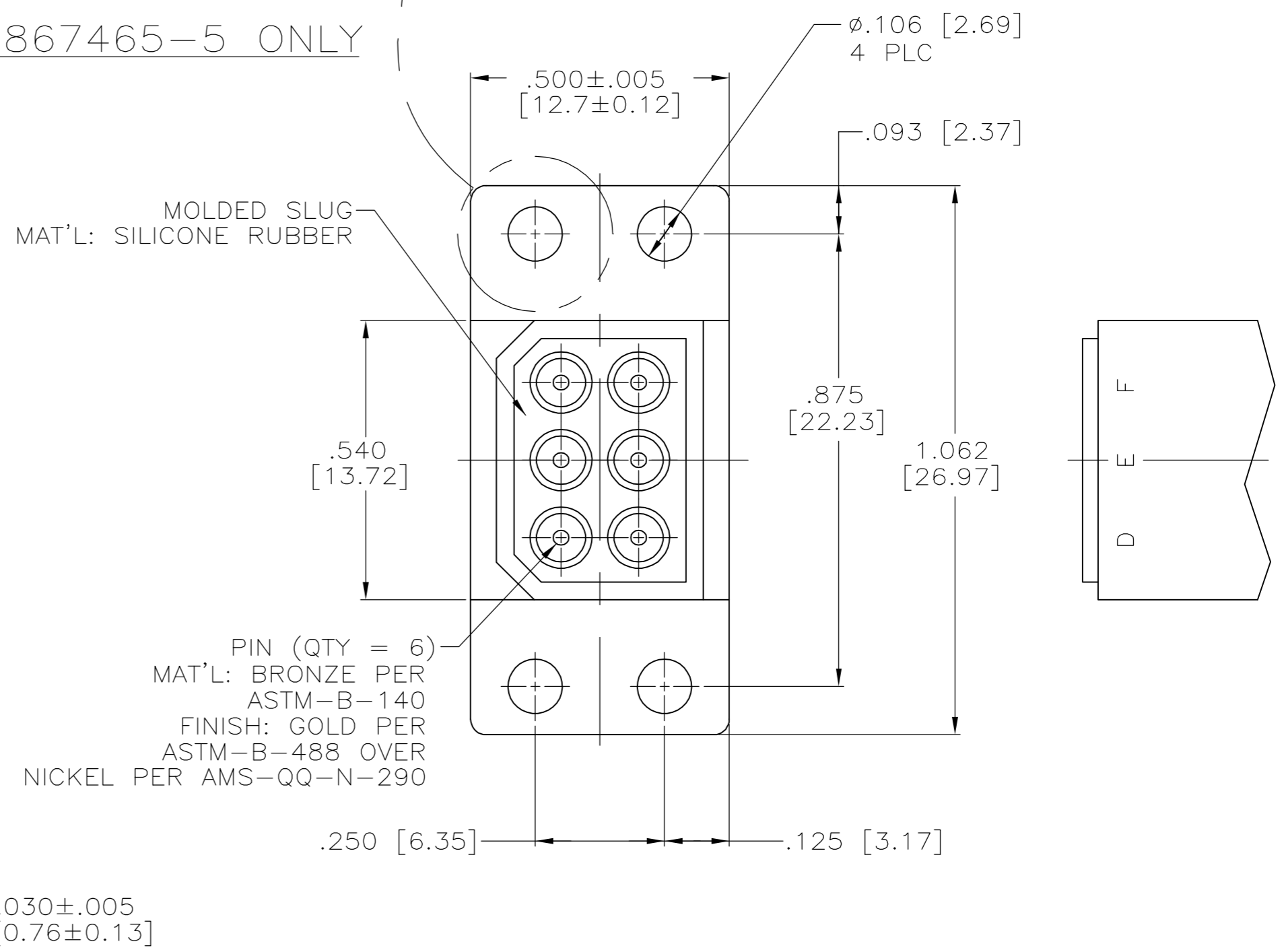
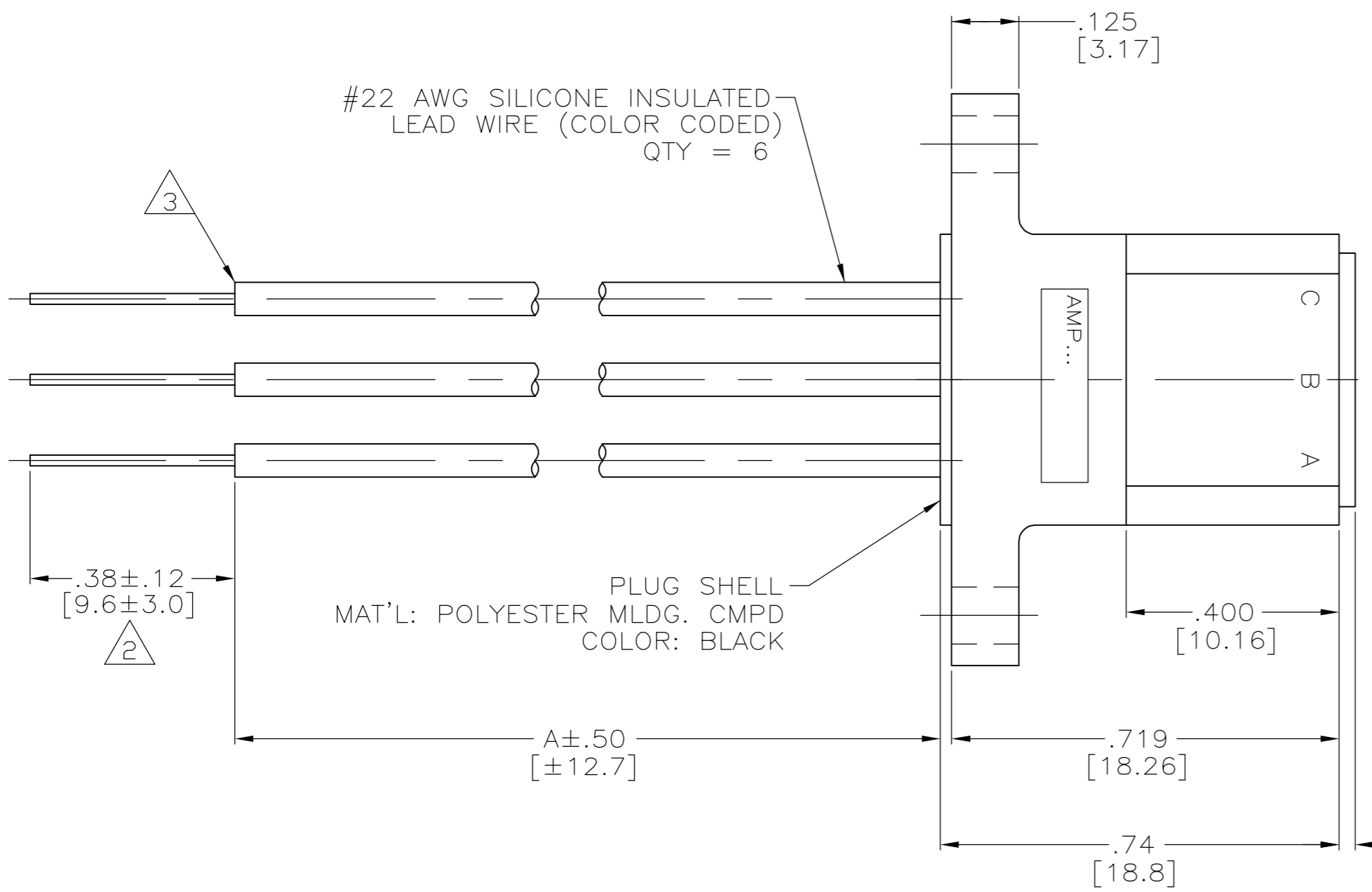
LOC	DIST	REVISIONS					
DF	S0	P	LTR	DESCRIPTION	DATE	DWN	APVD
		F		REV PER ECO-05-011907	15MAY06	PY	DE

1. CAVITY I.D. & AMP INFO. MARKED PER MIL-STD-130.
2. PIGTAILS ARE SOLDER DIPPED.
3. INSULATION CUT, BUT NOT REMOVED.

#2-56UNC-2B
4 PLC



867465-5 ONLY



A	BROWN
B	RED
C	GREEN
D	BLUE
E	BLACK
F	WHITE

SCHEMATIC

REMARKS	A DIM	PART NO.
3	36.00 [914.4]	5-867465-3
3	24.00 [609.6]	5-867465-2
3	12.00 [304.8]	5-867465-1
2	12.00 [304.8]	867465-5
2	96.00 [2438.4]	867465-4
2	36.00 [914.4]	867465-3
2	24.00 [609.6]	867465-2
2	12.00 [304.8]	867465-1

THIS DRAWING IS A CONTROLLED DOCUMENT.		DWN C.C.THOMAS 07-JUL-93	tyco Electronics Tyco Electronics Corporation Harrisburg, Pa 17105-3608	
DIMENSIONS: INCHES [mm]	TOLERANCES UNLESS OTHERWISE SPECIFIED:	CHK D.EABY 13-OCT-93	NAME PLUG ASSY 6 POSN WITH FLYING LEADS LGH	
	0 PLC ± - 1 PLC ± - 2 PLC ± .03 [0.8] 3 PLC ± .015 [0.38] 4 PLC ± - ANGLES ± -	APVD D.EABY 13-OCT-93	SIZE A2	CAGE CODE 00779
MATERIAL SEE CALLOUTS	FINISH SEE CALLOUTS	PRODUCT SPEC APPLICATION SPEC	DRAWING NO C=867465	RESTRICTED TO -
CUSTOMER DRAWING		WEIGHT -	SCALE 4:1	SHEET 1 OF 1
		REV F		

单击下面可查看定价，库存，交付和生命周期等信息

[>>TE Connectivity\(泰科\)](#)