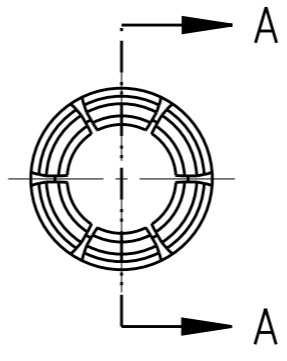
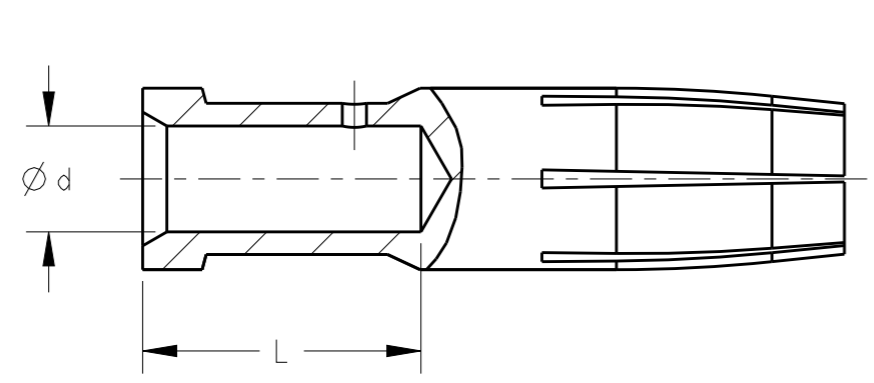
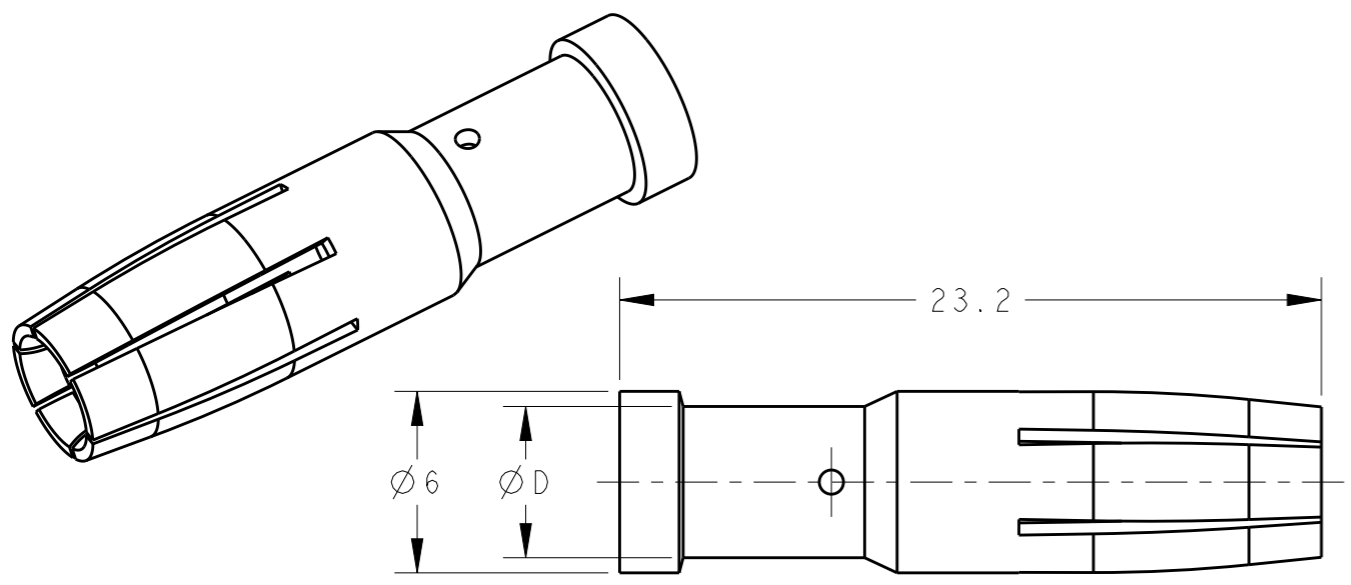


THIS DRAWING IS UNPUBLISHED. RELEASED FOR PUBLICATION 20  
 © COPYRIGHT 20 BY - ALL RIGHTS RESERVED.

REVISIONS					
P	LTR	DESCRIPTION	DATE	DWN	APVD
	A	INITIAL	07APR2015	DW	CW




SECTION A-A

NOTES:  
 1. TECHNICAL CHARACTERISTICS:  
 CONTACT MATERIAL: BRASS  
 SURFACE PLATING:  
 SILVER PLATING:  $\geq 2\mu\text{m}$   
 GOLD PLATING:  $\geq 0.75\mu\text{m}$   
 CONTACT RESISTANCE:  $\leq 3\text{m}\Omega$   
 WIRE RANGE: 1.0-10.0 mm<sup>2</sup> (18-8 AWG)  
 OPERATION TEMPERATURE: -40~+125°C

注释:  
 1. 技术参数:  
 公针材料: 黄铜  
 表面电镀:  
 镀银:  $\geq 2\mu\text{m}$   
 镀金:  $\geq 0.75\mu\text{m}$   
 接触电阻:  $\leq 3\text{m}\Omega$   
 接线范围: 1.0-10.0 mm<sup>2</sup> (18-8 AWG)  
 工作温度: -40~+125°C

	PART NUMBER		Ød	ØD	WIRE GAUGE		STRIPPING LENGTH L (mm)
	SILVER PLATING	GOLD PLATING			MM <sup>2</sup>	AWG	
SOCKET CONTACT	T2040002010-000	T2040012010-000	1.45	2.65	1.0	18	9.2
	T2040002015-000	T2040012015-000	1.75	3.00	1.5	16	
	T2040002025-000	T2040012025-000	2.25	3.45	2.5	14	
	T2040002040-000	T2040012040-000	2.85	3.85	4.0	12	
	T2040002060-000	T2040012060-000	3.50	5.00	6.0	10	
	T2040002100-000	T2040012100-000	4.30	5.60	10.0	8	

THIS DRAWING IS A CONTROLLED DOCUMENT.		DWN 25JAN2015 David Wang	 TE Connectivity	
DIMENSIONS: mm		CHK 25JAN2015 Chris Wang		
TOLERANCES UNLESS OTHERWISE SPECIFIED:		APVD 25JAN2015 Xiang Xu	NAME CMF/DMF MM SOCKET CONTACT	
0 PLC ±- 1 PLC ±- 2 PLC ±- 3 PLC ±- 4 PLC ±- ANGLES ±-		PRODUCT SPEC 108-137053	SIZE CAGE CODE DRAWING NO RESTRICTED TO	
MATERIAL - FINISH -		APPLICATION SPEC 114-137053	A300779 © T20400X20XX000 -	
		WEIGHT -	SCALE 4:1 SHEET 1 OF 1 REV A	
		Customer Drawing		

单击下面可查看定价，库存，交付和生命周期等信息

[>>TE Connectivity\(泰科\)](#)