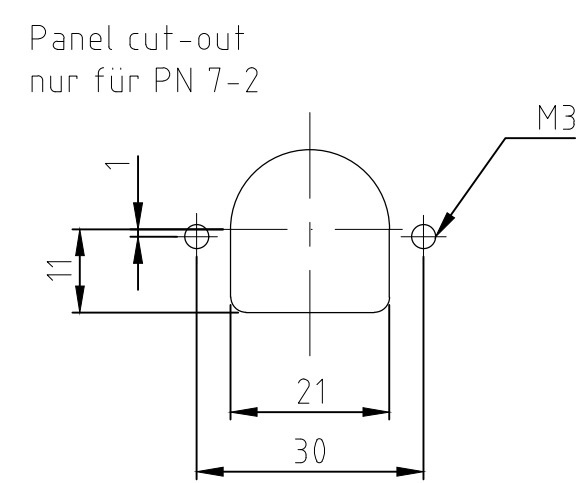
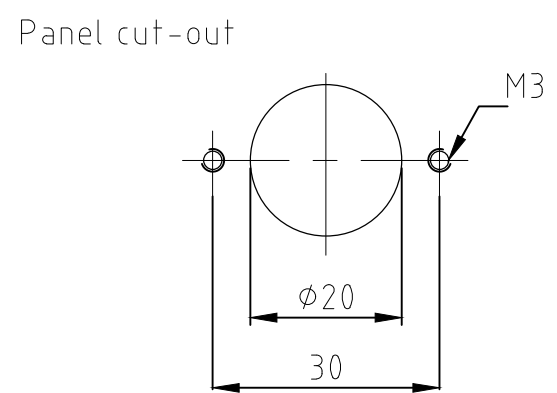
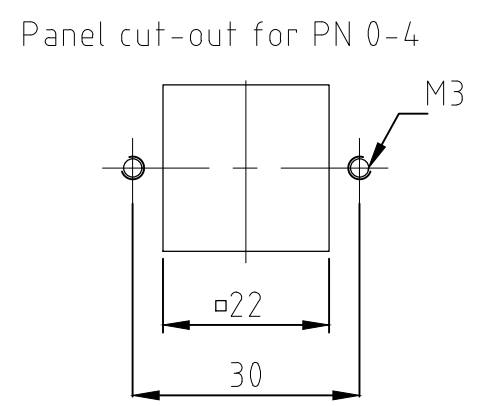
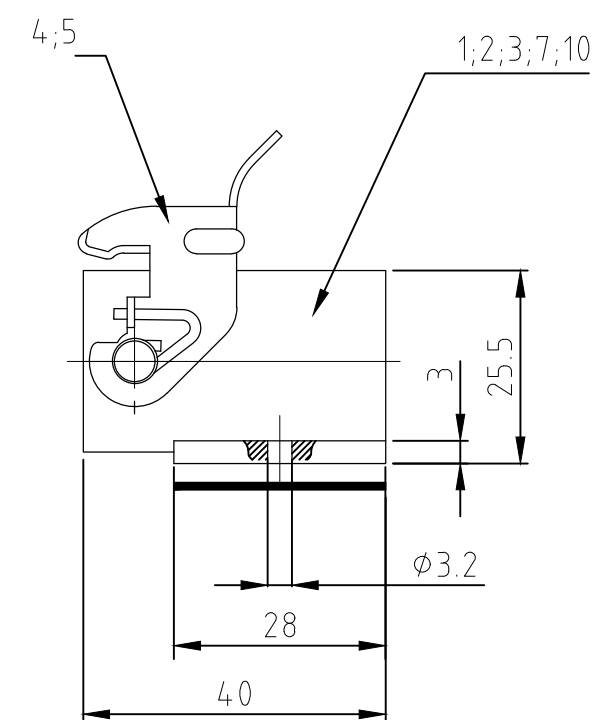
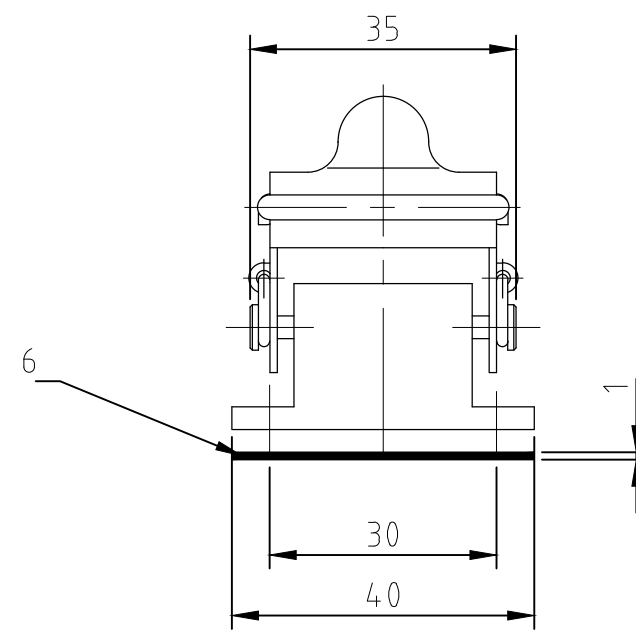
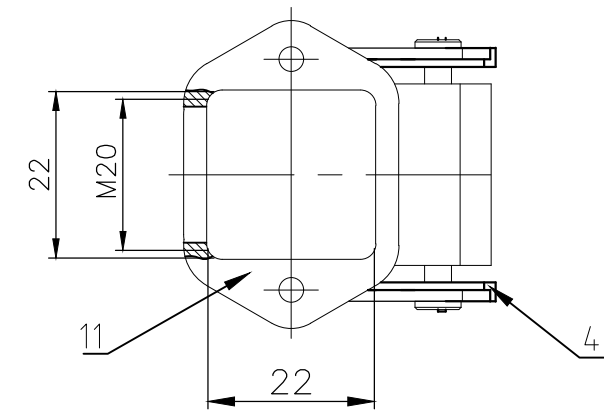


THIS DRAWING IS UNPUBLISHED.
 VERTRAULICHE UNVERÖFFENTLICHTE ZEICHNUNG
 © COPYRIGHT - TE Connectivity
 RELEASED FOR PUBLICATION
 FREI FUER VERÖFFENTLICHUNG
 ALL RIGHTS RESERVED.
 ALLE RECHTE VORBEHALTEN

P	LTR	DESCRIPTION BESCHREIBUNG	DATE	DWN	APVD
A9		REVISED PER ECR-17-013084	02APR18	NG	MKO

- NOTES:
- 1 Material: zink diecast
Seals: NEOPRENE
 - 2 SURFACE: HAMMER SCALES VARNISH
OR POWDER COATED
CORROSION PROTECTION
 - 3 PACKAGING:
PACKAGING QUANTITY: 5 PIECES
 - 4 SPECIAL PACKAGING: Krauss-Maffei
PACKAGING UNIT: 100 PIECES IN Krauss-Maffei-Box



ITEM NO. POS.	QTY	DESCRIPTION	MATERIAL	SURFACE	COLOR	NOTES
1	1	surface mounted housing side and bottom entry	zinc diecast		grey	11
1	1	surface mounted housing bottom entry	zinc diecast	blue passivation	without varnish	10
	2	Bügelbolzen/clip bolt	steel		blue	9
	1	surface mounted housing bottom entry	zinc diecast		grey	8
	1	surface mounted housing bottom entry	zinc diecast		alufarbig	7
1	1	Flanschdichtung/flanged seal	Neoprene		black	6
	1	side clip	stainless steel	blank		5
	1	side clip	steel	zinc plated	blue	4
	1	surface mounted housing bottom entry			without varnish	3
	1	surface mounted housing bottom entry			black	2
	1	surface mounted housing bottom entry	zinc diecast		grey	1

HA.3.AGW-LB.22x22.1.M20-B	HA.3.AGW-LB.KM	HA-EMV-K.3.AGW-LB	HA.3.AGW-LB-SO	HA.3.AGW-SO	HA-K.3.AGW-LB-SO	HA.3.AGW-LB-SO	HA-K.3.AGW-LB	HA.3.AGW-LB
<p>THIS DRAWING IS A CONTROLLED DOCUMENT. DIESE ZEICHNUNG IST EIN KONTROLLIERTES DOKUMENT.</p> <p>DIMENSIONS: MASSENHEITEN: mm</p> <p>TOLERANCES UNLESS OTHERWISE SPECIFIED: ALLGEMEINTOLERANZEN</p> <p>0 PLC ± - 1 PLC ± - 2 PLC ± - 3 PLC ± - 4 PLC ± - ANGLES / WINKEL ± -</p> <p>FINISH/OBERFLAECHE/FARBE</p>								
<p>ORDERING TEXT / BESTELLTEXT</p>			<p>APVD: M Schweiger</p> <p>PRODUCT SPEC: 108-74000</p> <p>APPLICATION SPEC: 114-74002</p>			<p>NAME: SURFACE MOUNTED HOUSING BOTTOM ENTRY ANBAUGEHAEUSE HA.3.AGW-LB</p>		
<p>MATERIAL: -</p>			<p>WEIGHT: -</p>			<p>SIZE: A3 CAGE CODE: 00779 DRAWING NO: C-1102107</p>		
<p>CUSTOMER DRAWING/KUNDENZEICHNUNG</p>						<p>SCALE: 1:1 SHEET: 1 OF 1 REV: A9</p>		

单击下面可查看定价，库存，交付和生命周期等信息

[>>TE Connectivity\(泰科\)](#)