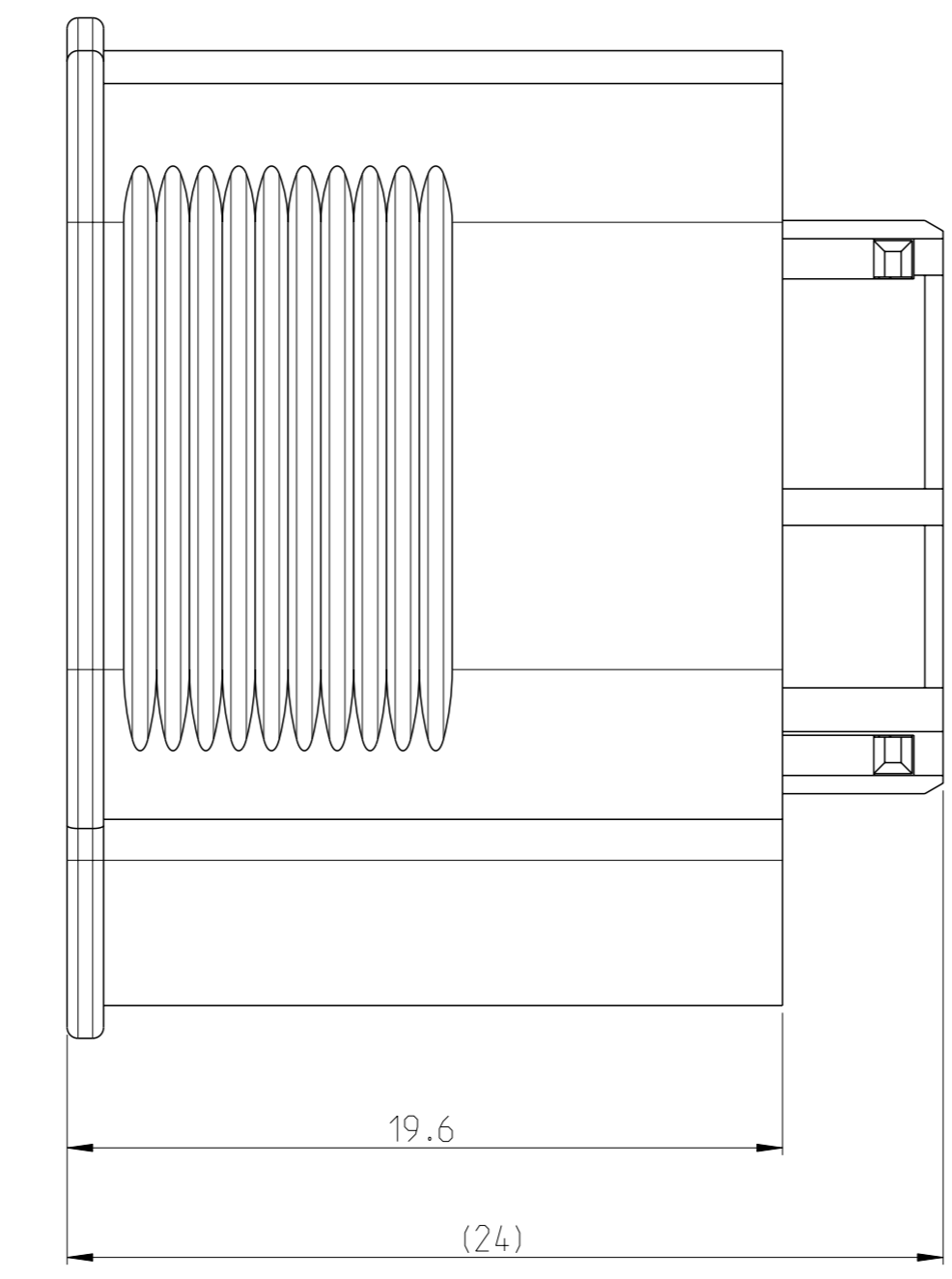
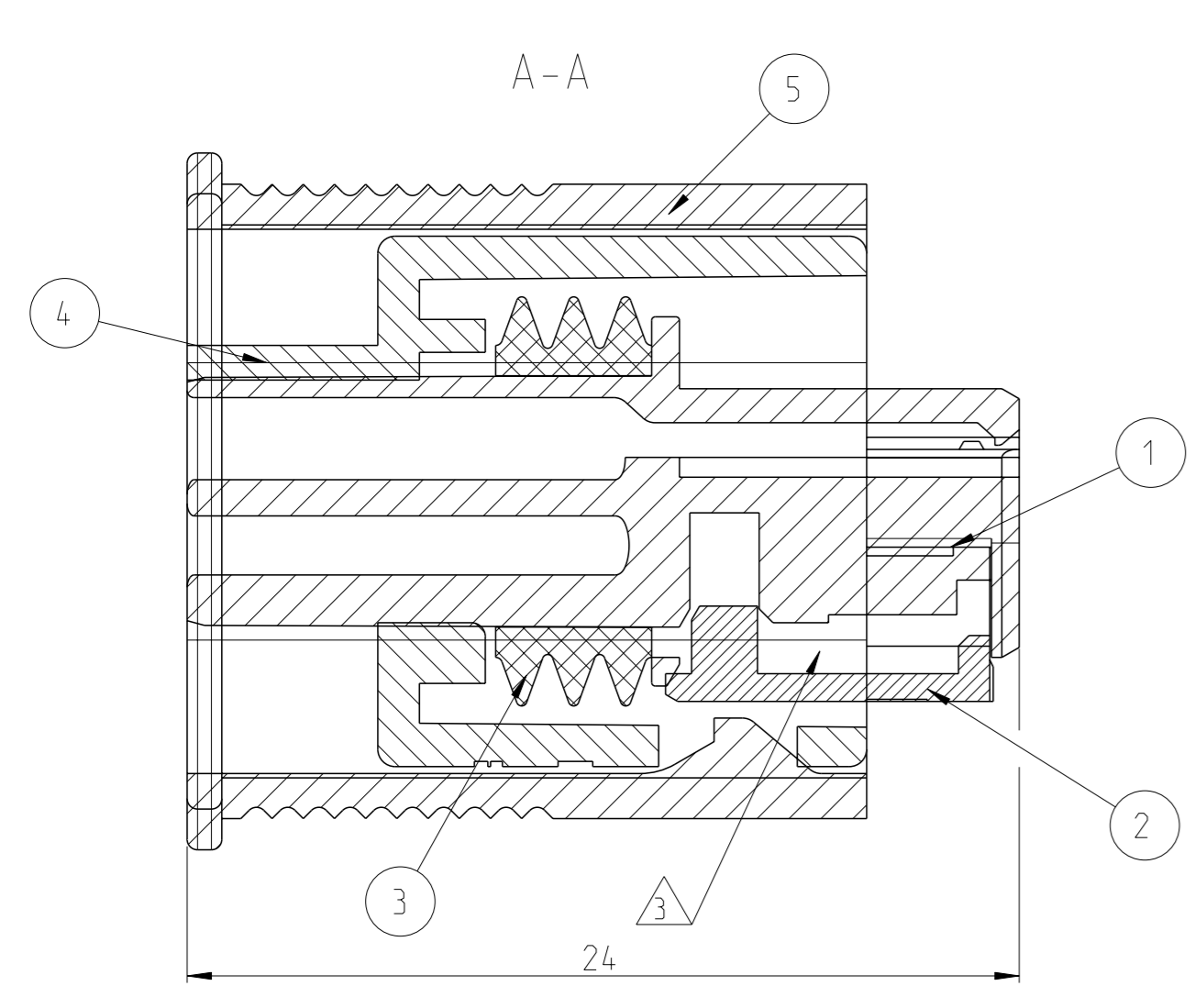
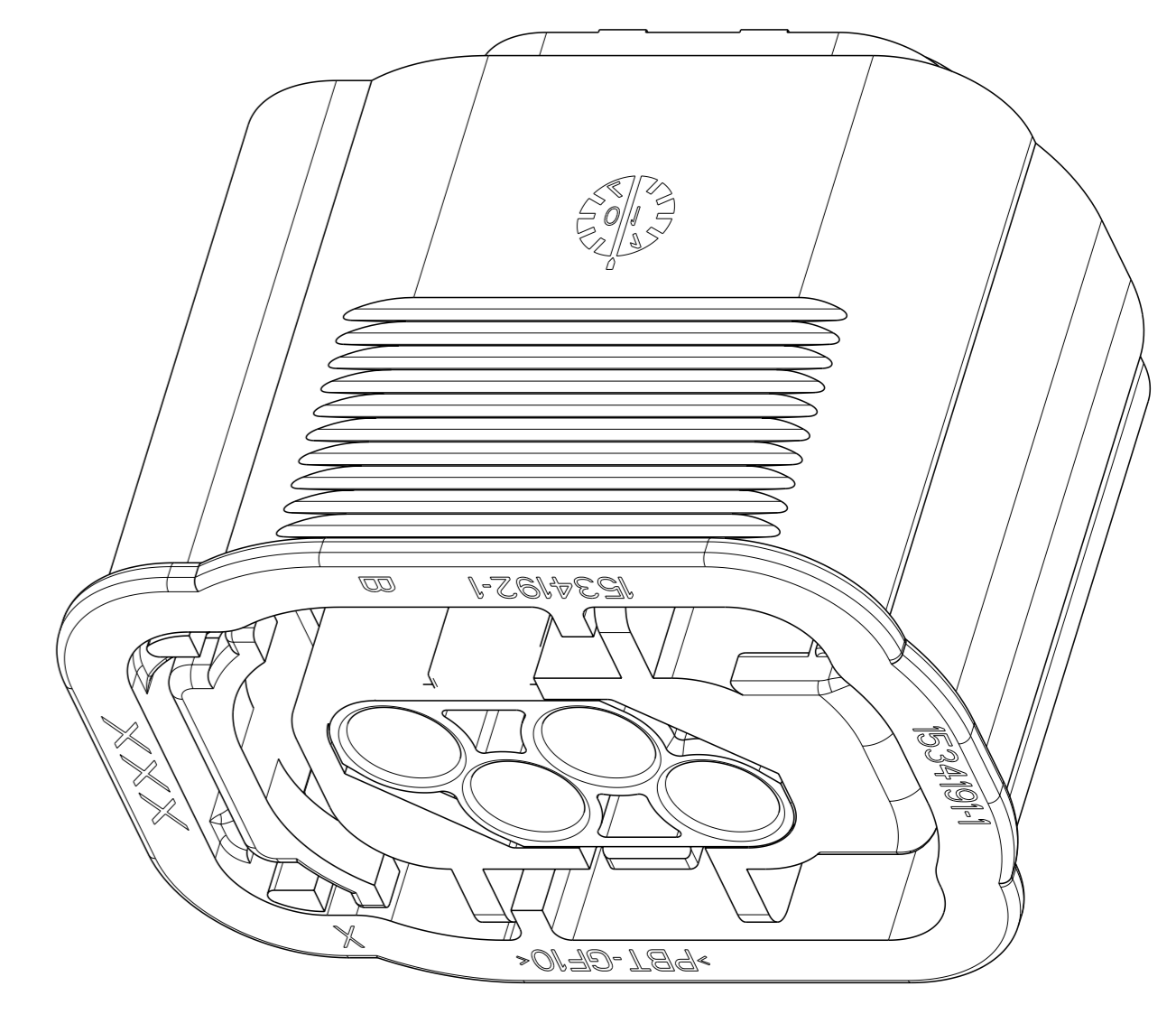
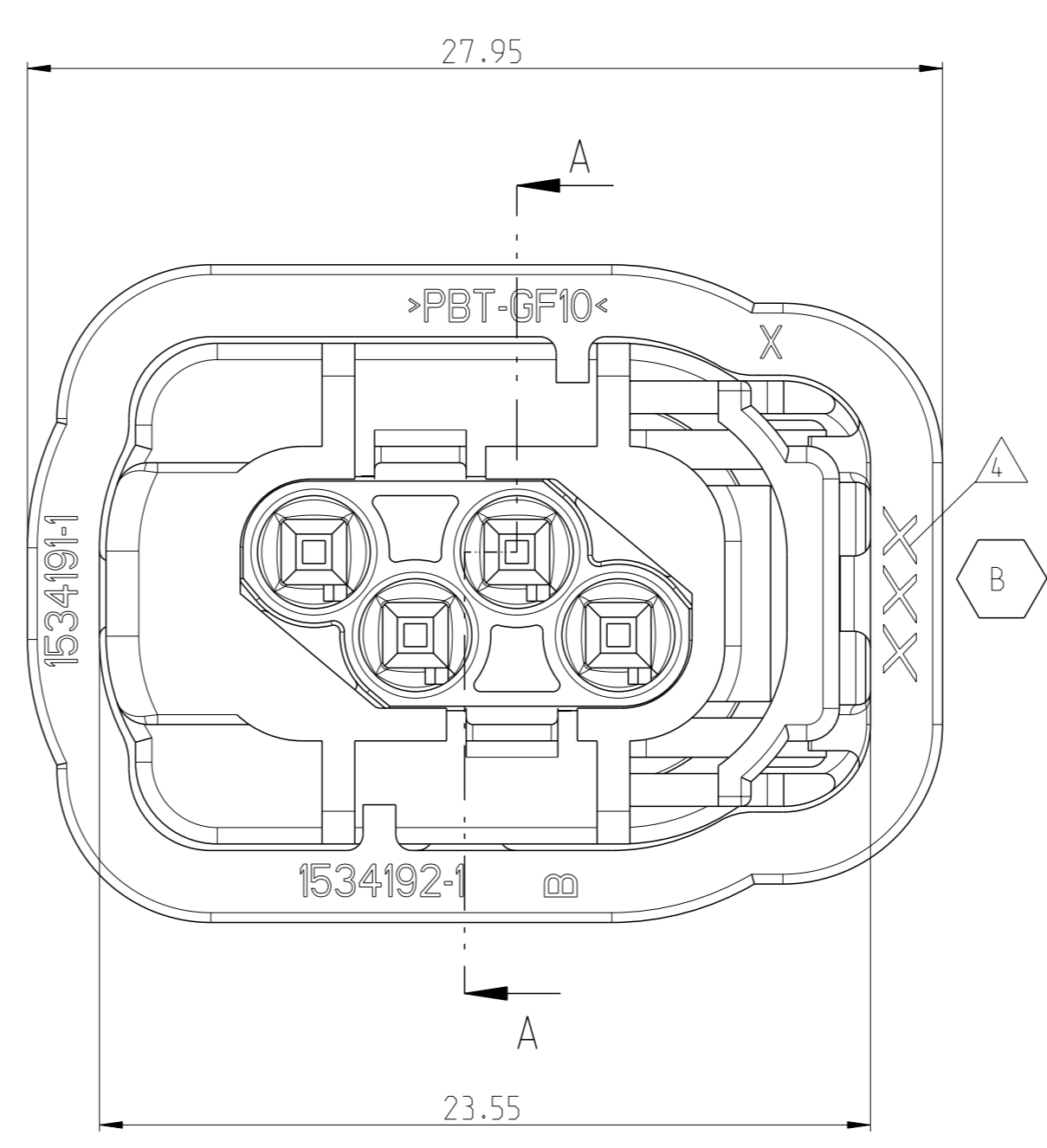
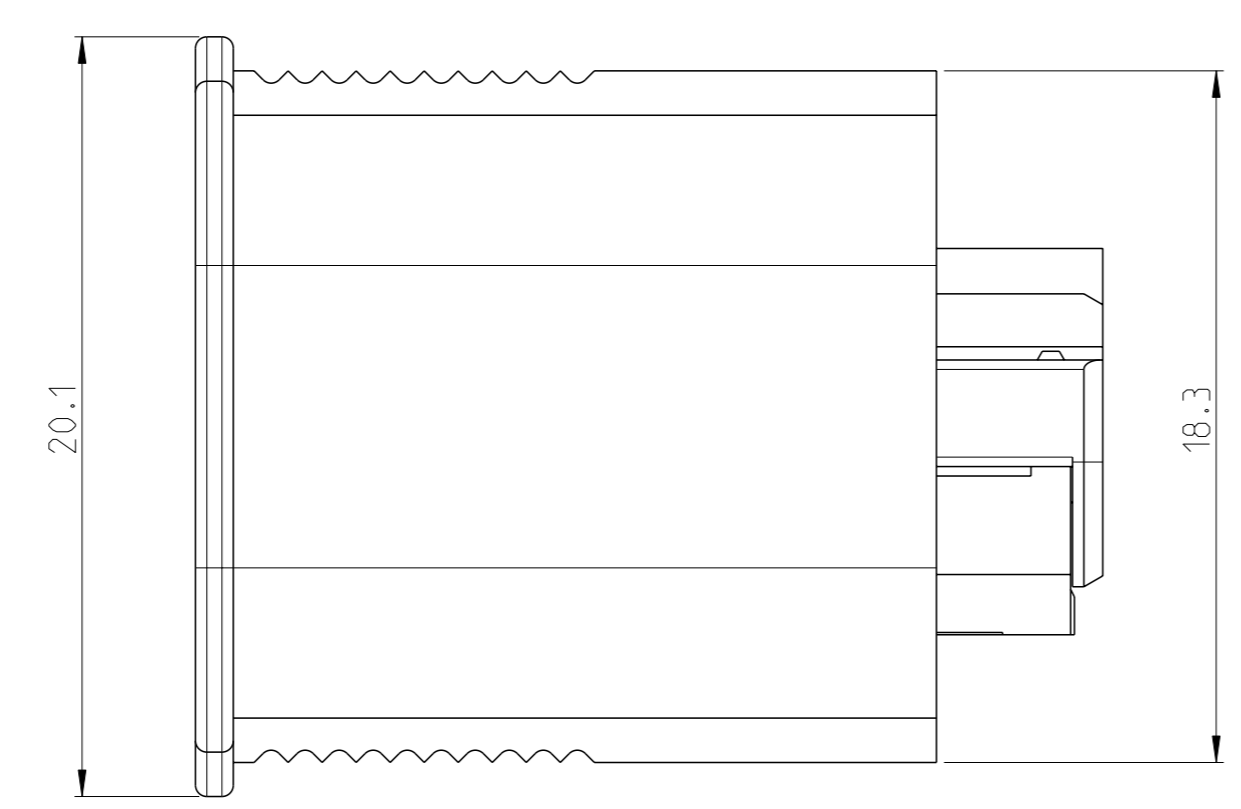
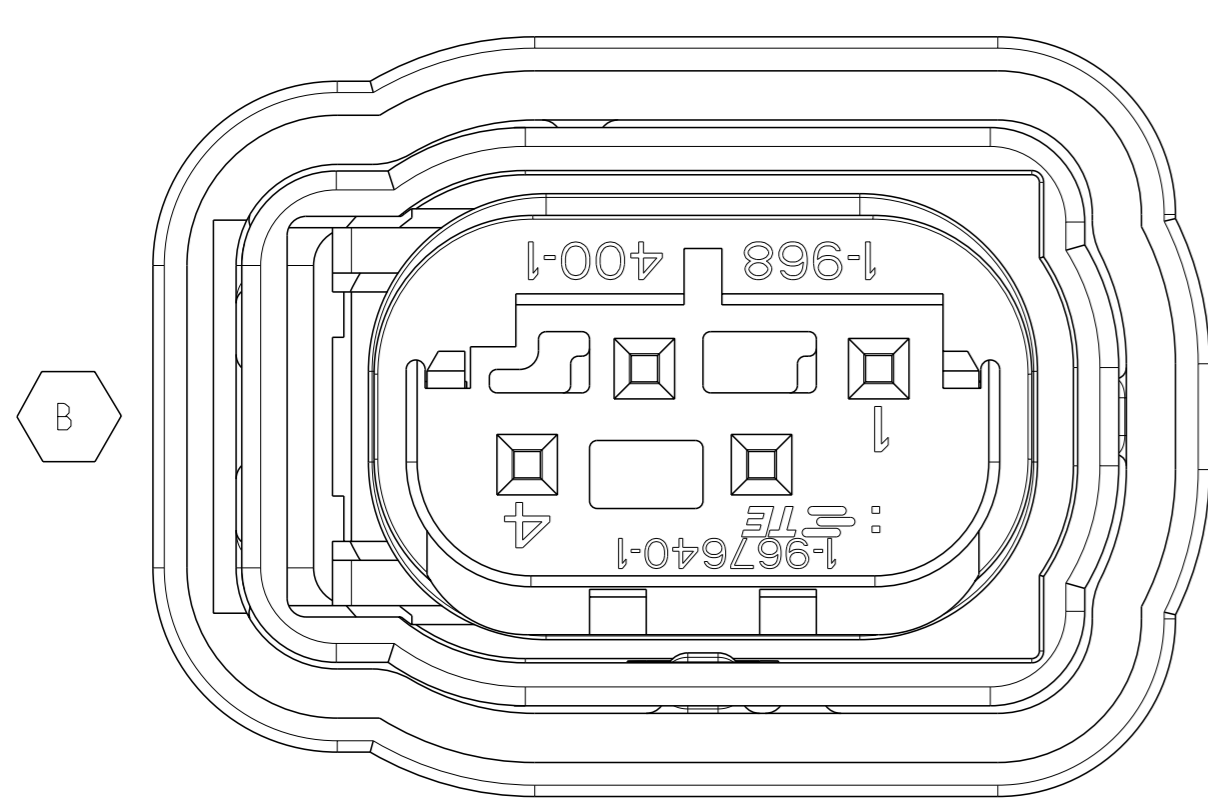


REVISIONS					
#	CLM	DESCRIPTION	DATE	OWN	APVD
A		NEW DRAWING	09FEB2015	SMS	PT
B		Deleted dimension 14.3 and new note 4	28AUG2017	FRAN	GILC



- NOTES
Bemerkungen
- 1 BULK PACKAGING IN TE CARTON
Verpackt als Schuellgut in TE Karton
 - 2 SUITABLE FOR SHROUDED CONNECTION NO. TAB 114-18063-076
Passend zu TE-Nr. 114-18063-076
 - 3 CONDITION AS SUPPLIED: RETAINER IN PRE-LOCKED POSITION
(SEE PN 1-967640-1)
Auslieferungszustand: Verriegelung in Vorraststellung
(siehe auch PN 1-967640-1)
 - 4 TE LOGO
TE Logo

COD.	ASSY NO.	REV.	DESCRIPTION	MATERIAL	COLOUR SURFACE	QTY.	POS.
A	0-1534191-1	B	COVER	PBT-GF10	BLACK	1	5
			PROTECTIVE COVER	PBT-GF10	BLACK	1	4
			SEALING	MVQ 30	NATURAL	1	3
			RETAINER	PBT-GF15	GREEN	1	2
			SOCKET HSG., 4POS. CODING A	PBT-GF15	BLACK	1	1

THIS DRAWING IS A CONTROLLED DOCUMENT.

OWN: MUTHU SAMY 09FEB2015
 CHK: PARUSURAM T 09FEB2015
 APVD: H. RIPPER 09FEB2015

ACC TO: DIN 18901-140
 CENTRIC TO: NOMINAL DIM

TE Connectivity

NAME: SOCKET HOUSING SWS 4POL MQS ASSY

SIZE: A1
 CAGE CODE: 1534191
 DRAWING NO: 114-18061

RESTRICTED TO: B

SCALE: 5:1 SHEET 1 OF 1 REV B

单击下面可查看定价，库存，交付和生命周期等信息

[>>TE Connectivity\(泰科\)](#)