

THIS DRAWING IS UNPUBLISHED. RELEASED FOR PUBLICATION 20
 © COPYRIGHT 20 BY TYCO ELECTRONICS CORPORATION. ALL RIGHTS RESERVED.

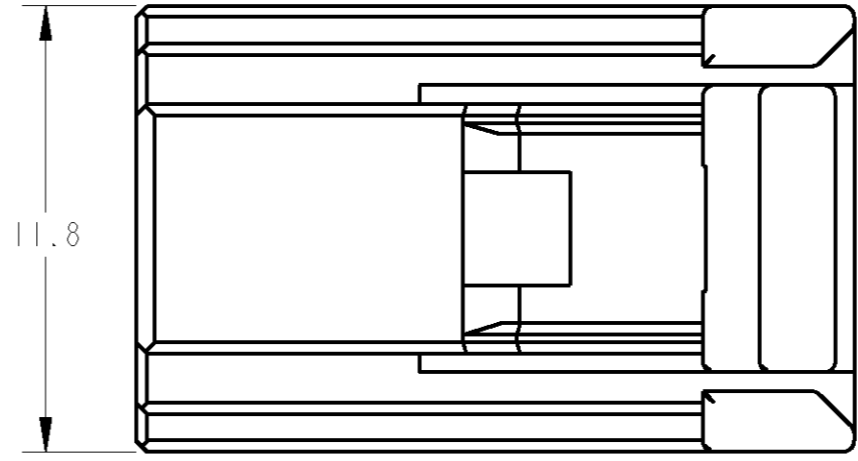
P	LTR	DESCRIPTION	ECN	DATE	DWN	APVD
	A	RELEASED		3FEB2005	YS	YF
	B	REVISED	ECR-10-019333	07OCT10	TS	KB

2 TABLE-1

POS. 極数	CAP HOUSING ASSY キャップハウジングアセンブリ
	P/N
4	1746909-1

3 TABLE-2

	FINISH 仕上り	RECEPTACLE CONTACT P/N	APPLICABLE WIRE RANGE 適用電線
SIGNAL 0.64	TIN	1674311-1	CAVS/CAVUS 0.3~0.5mm ² AVSSH/AVSS/AESSX/ 0.3~0.5mm ²



1 DOUBLE LOCK SHOULD BE SET TO THE PRE-ASSEMBLY POSITION WITHIN THE PLUG HOUSING WHEN SHIPPED TO THE CUSTOMER.

2 CAP HOUSING ASSY TO BE MATED ; SEE TABLE-1

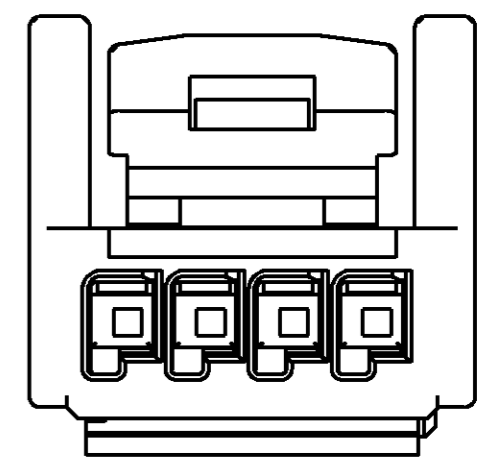
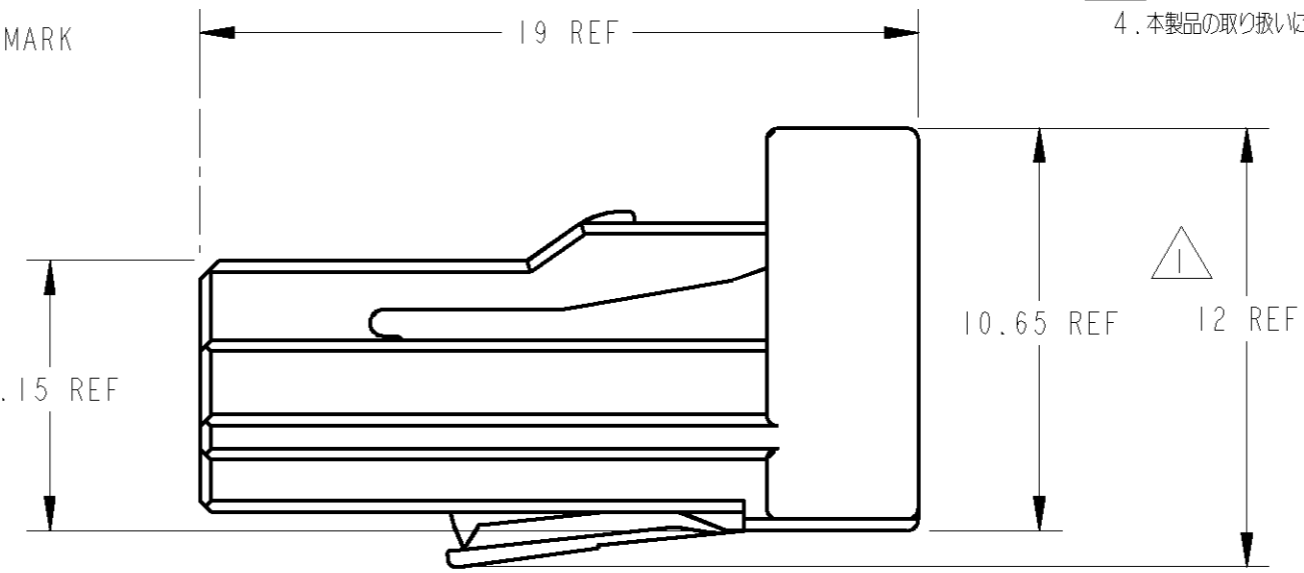
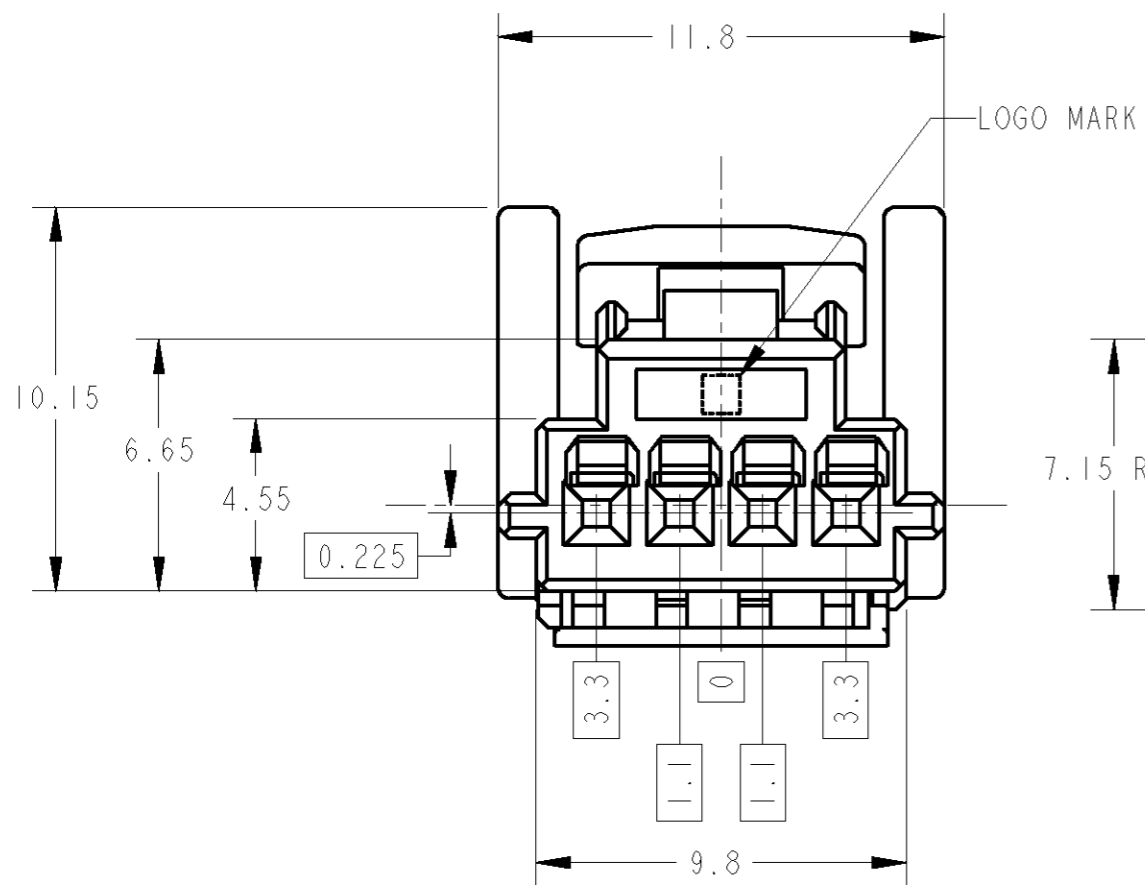
3 DETAILS OF TERMINAL TO BE MATED ; SEE TABLE-2
 4. AS FOR THE HANDLING OF THIS PRODUCT, FOLLOW THE INSTRUCTION SHEET No. 411-78184

-1; AS SHOWN
 -1; 本図

1 ダブルロックは、仮係止状態で出荷される。

2 嵌合相手アセンブリ型番 ; TABLE-1 参照
 キャップアセンブリと支障なく嵌合、離脱できること。

3 嵌合相手端子構成 ; TABLE-2 参照
 4. 本製品の取り扱いについては、取扱説明書No. 411-78184



THIS DRAWING IS A CONTROLLED DOCUMENT FOR TYCO ELECTRONICS CORPORATION IT IS SUBJECT TO CHANGE AND THE CONTROLLING ENGINEERING ORGANIZATION SHOULD BE CONTACTED FOR THE LATEST REVISION.		DWN Y. SAKURAI 14JAN2005 CHK Y. NOGUCHI 14JAN2005 APVD Y. FUJIWARA 14JAN2005		Tyco Electronics Corporation Kawasaki, Japan	
DIMENSIONS: 単位: 概 mm		TOLERANCES UNLESS OTHERWISE SPECIFIED: 一般公差 ±0.3 0-PLC ± 1-PLC ±0.5 2-PLC ±0.13 3-PLC ±0.013 4-PLC ±0.000 ±3 ANGLES ±3		NAME 名称 PLUG HOUSING ASSY 4POSITION 0.64111 SERIES I/O CONNECTOR	
MATERIAL 材料 PBT		FINISH 仕上 BLACK		PRODUCT SPEC 108-78247 APPLICATION SPEC 114-5329 WEIGHT 1.2g	
CUSTOMER DRAWING		SIZE A3 CAGE CODE 00779 DRAWING NO. 1746911		RESTRICTED TO -	
		SCALE 5:1		SHEET 1 OF 1 REV B	

单击下面可查看定价，库存，交付和生命周期等信息

[>>TE Connectivity\(泰科\)](#)