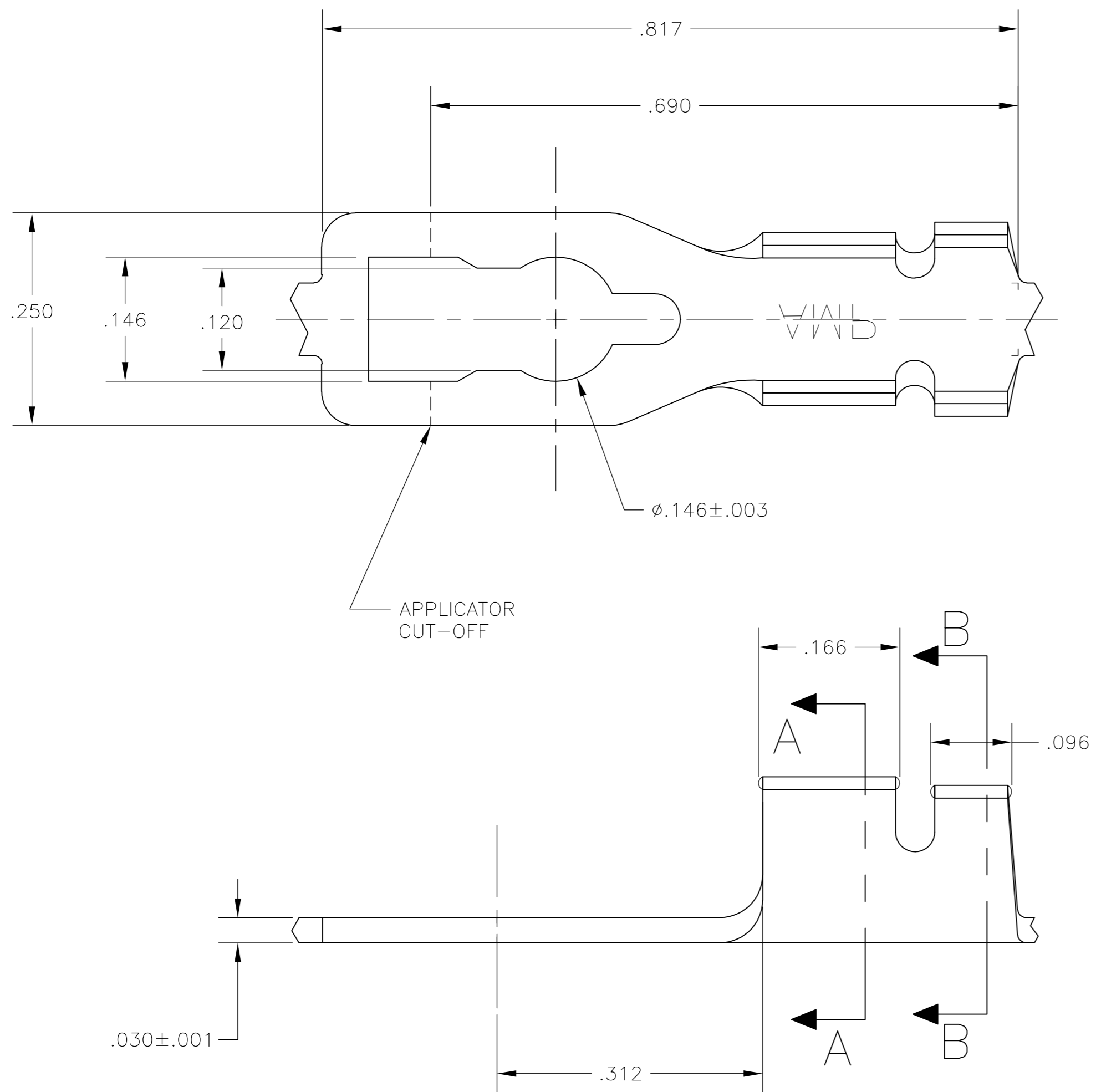
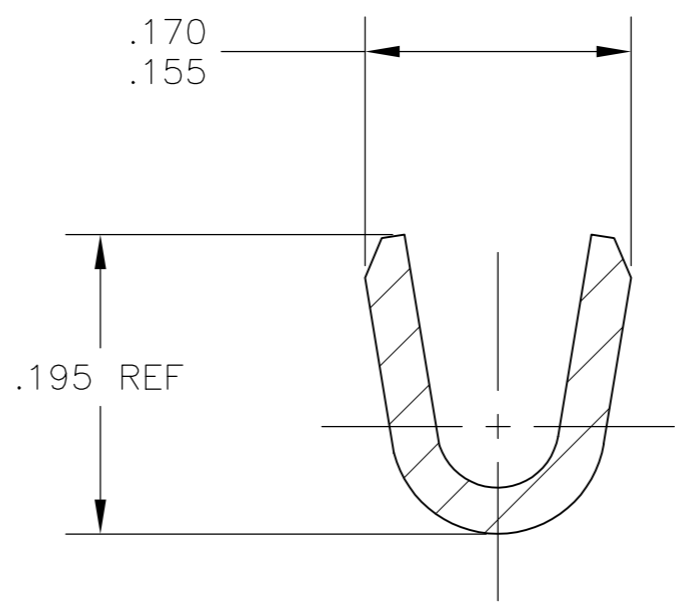


THIS DRAWING IS UNPUBLISHED. RELEASED FOR PUBLICATION  
 © COPYRIGHT BY TYCO ELECTRONICS CORPORATION. ALL RIGHTS RESERVED.

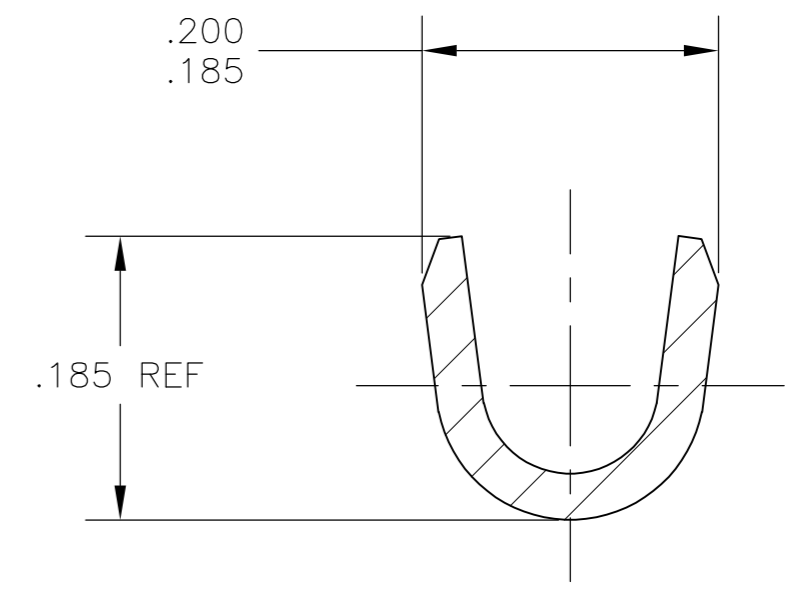
LOC		DIST		REVISIONS			
P	LTR	DESCRIPTION		DATE	DWN	APVD	
AF	50	E		REVISED PER ECR-10-006099	09JUL10	HMR PD	



1. CONTINUOUS STRIP ON REELS.
2. WIRE RANGE: #18-#14 AWG.
3. INSULATION RANGE: .100-.140 DIA.



SECTION A-A



SECTION B-B

63268-1  
 PART NUMBER

THIS DRAWING IS A CONTROLLED DOCUMENT.		DWN 03AUG2004 MICHAEL S. FEHER	 Tyco Electronics Corporation Harrisburg, Pa 17105-3608
DIMENSIONS: INCHES		CHK 03AUG2004 DONALD F. DECKER	
TOLERANCES UNLESS OTHERWISE SPECIFIED:		APVD 03AUG2004 DONALD F. DECKER	NAME TERMINAL, SPRING SPADE,
0 PLC ± -	1 PLC ± -	PRODUCT SPEC	SIZE A2
2 PLC ± -	3 PLC ± .015	APPLICATION SPEC	CAGE CODE 00779
4 PLC ± -	ANGLES ± 1°	WEIGHT -	DRAWING NO C=63268
MATERIAL H04 BRASS	FINISH TIN	CUSTOMER DRAWING	RESTRICTED TO -
		SCALE 10:1	SHEET 1 OF 1
			REV E

单击下面可查看定价，库存，交付和生命周期等信息

[>>TE Connectivity\(泰科\)](#)