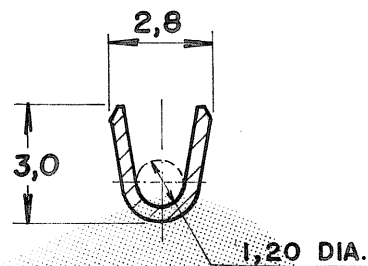
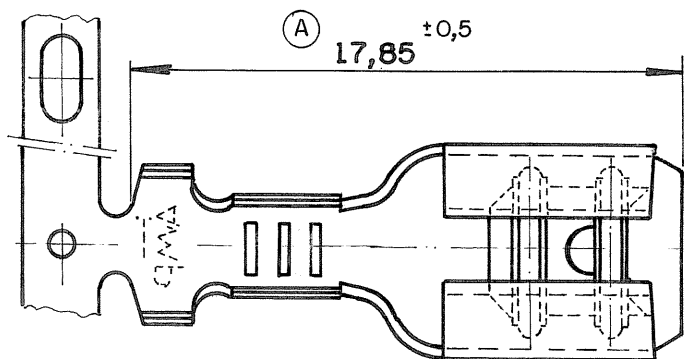


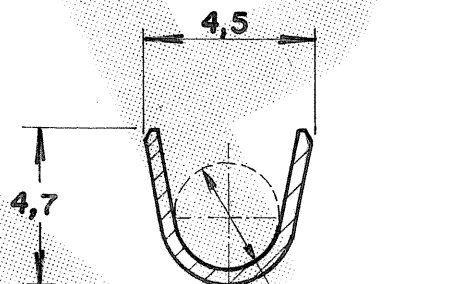
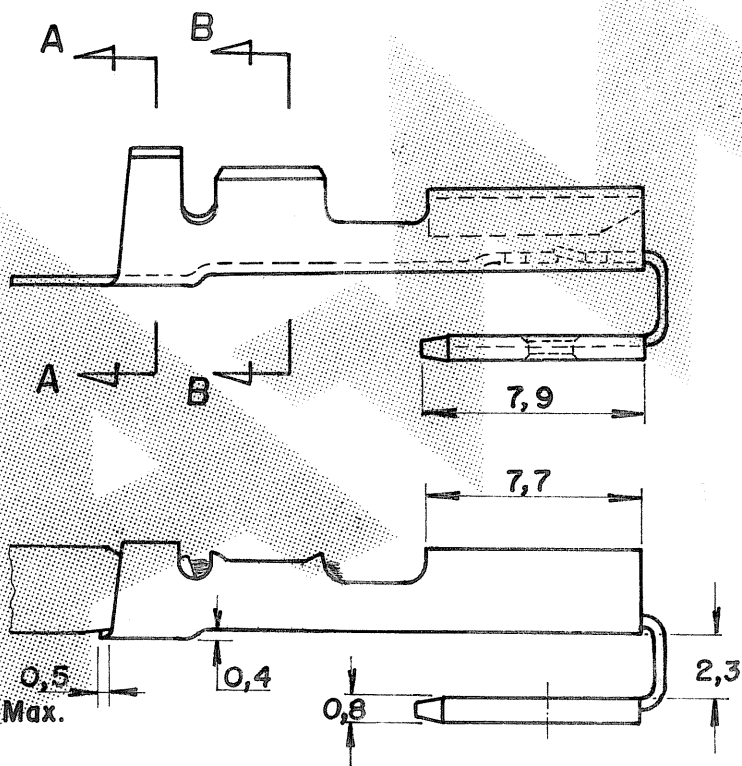
DO NOT SCALE
DIMENSIONS IN MM.

METRIC

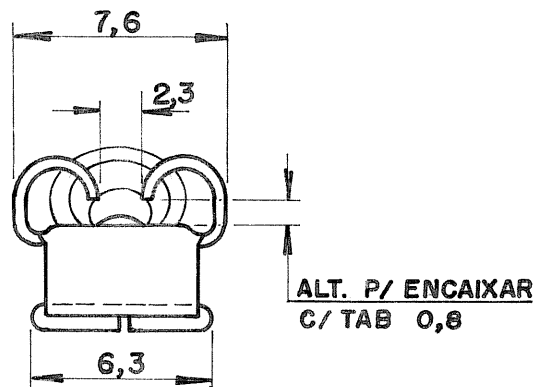
3rd ANGLE PROJECTION



SECTION B - B



SECTION A - A



ALT. P/ ENCAIXAR
C/ TAB 0,8

OBSOLETE
OBSOLETE

ESTANHADO
ESTANHADO

BRONZE FOSFOROSO
LATAO
LATAO

880682

OTHER TREATMENT

FINISH

MATERIAL

PART NUMBER

CUSTOMER DWG
for REFERENCE ONLY

THIS DRAWING IS UNPUBLISHED RELEASED FOR PUBLICATION 19
© COPYRIGHT 19 BY AMP DO BRASIL LTDA S.P. ALL INTERNATIONAL RIGHTS RESERVED. AMP PRODUCTS MAY BE COVERED BY U.S. AND FOREIGN PATENTS AND/OR PATENTS PENDING

TOLERANCES UNLESS OTHERWISE STATED
DEC. ± 0,3
ANGLES ± 1°

INS. DIA. RANGE WIRE RANGE 2 SCALE
DIA. 2,0-3,3mm 0,5-1,0mm —//—

Tyco Electronics TYCO ELECTRONICS DO BRASIL LTDA.
São Paulo - Brasil

Dr. 31-07-90
DOURIVAL A. ROCHA

DESCRIPTION .250 SERIES PIGGY
BACK FASTON REC.

B2	Rev. By Eco 09.021397	H.C.	WLS.	18 SEP 09	CHK.	18 FEB 98
B	DASH 3 ADDED EC 05988	NCL	PLF	20 NOV 90	DE.	21-3-98
A	ERA 19,55	MR.Briz	72			
O	ERA P90-29135	DORI				
ISS	REVISION RECORD	DR	CHK	DATE	APP.	

DWG NO

A4 C 880682

SHEET

1 OF 1

单击下面可查看定价，库存，交付和生命周期等信息

[>>TE Connectivity\(泰科\)](#)