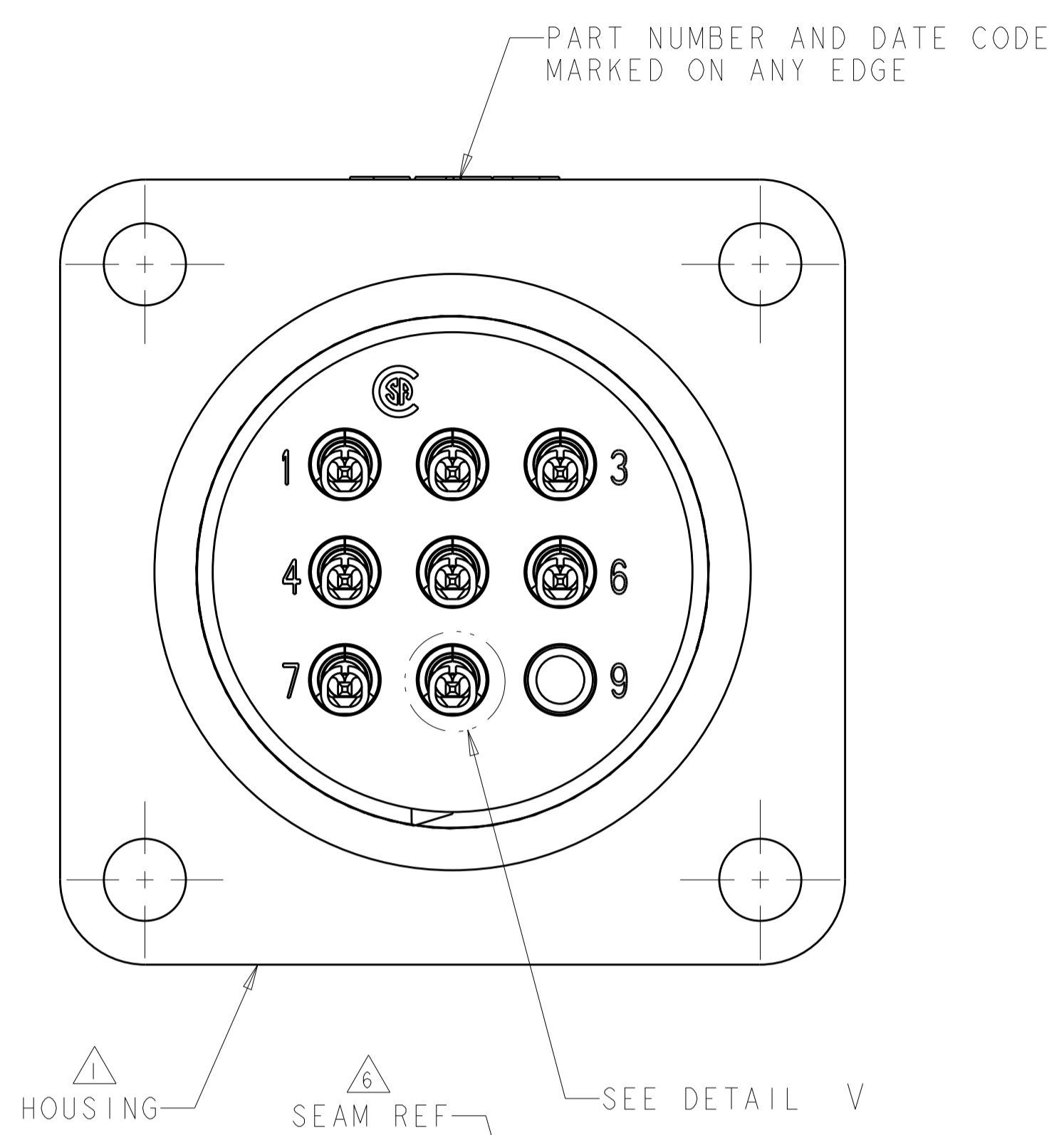
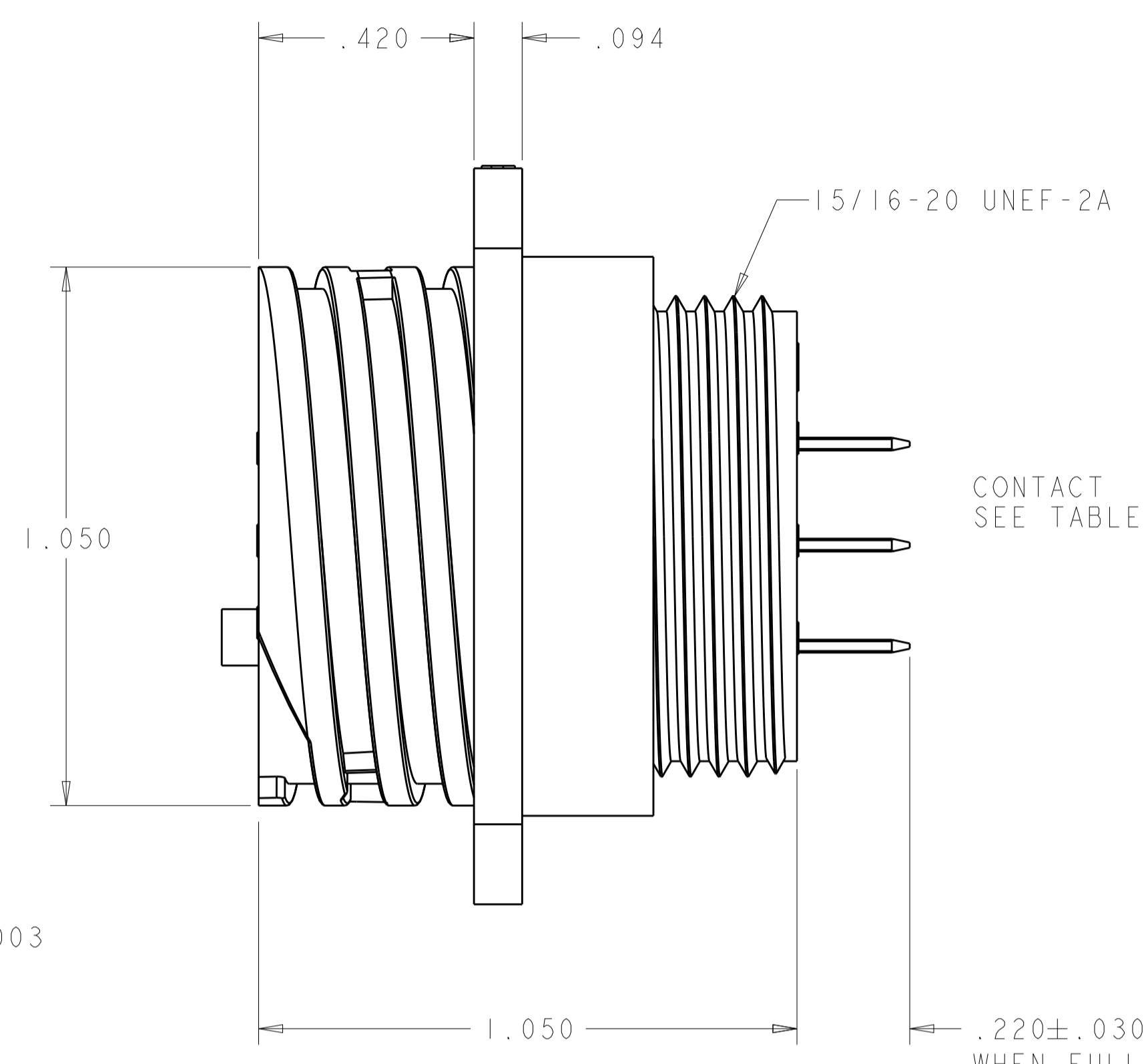
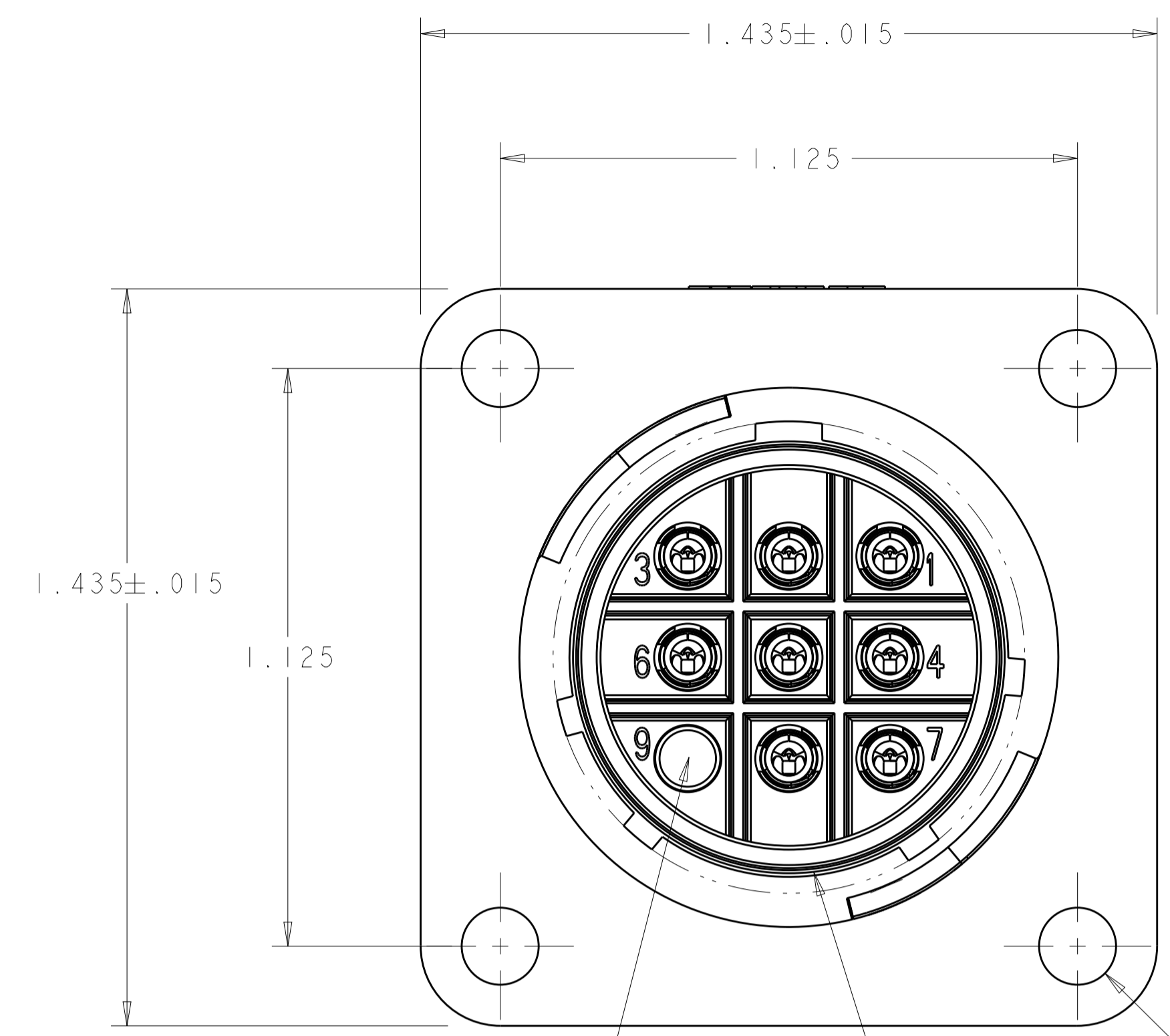
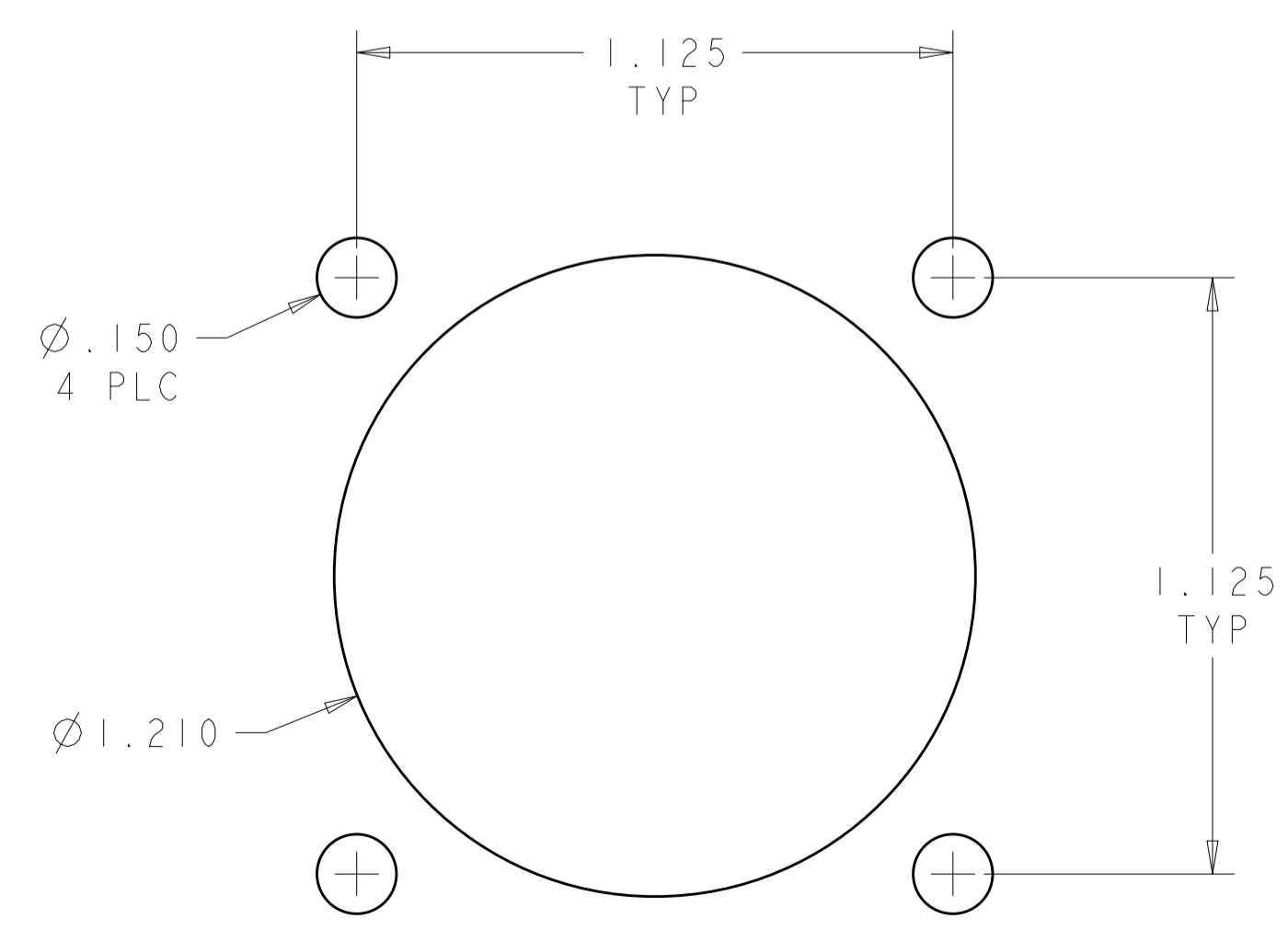
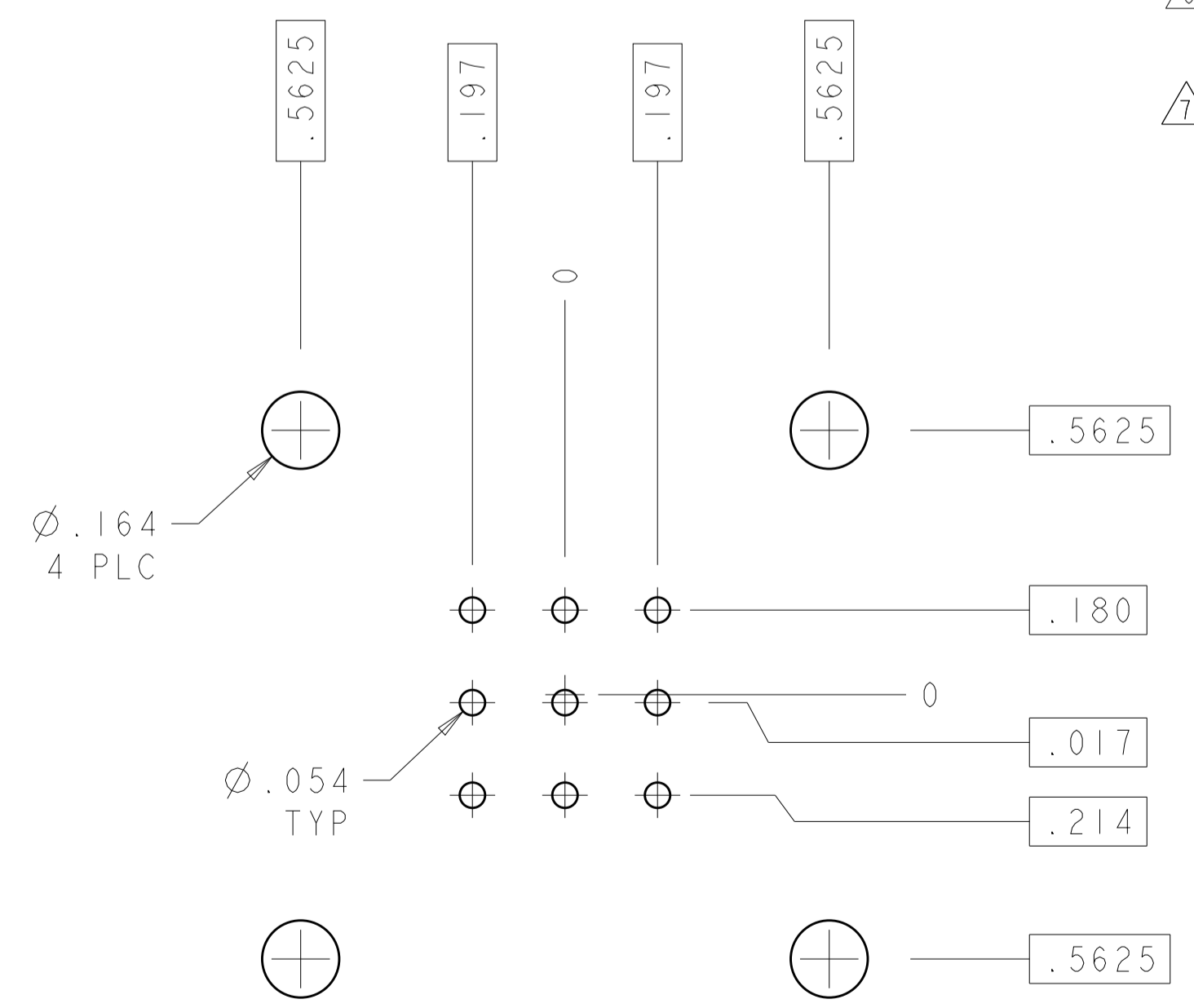
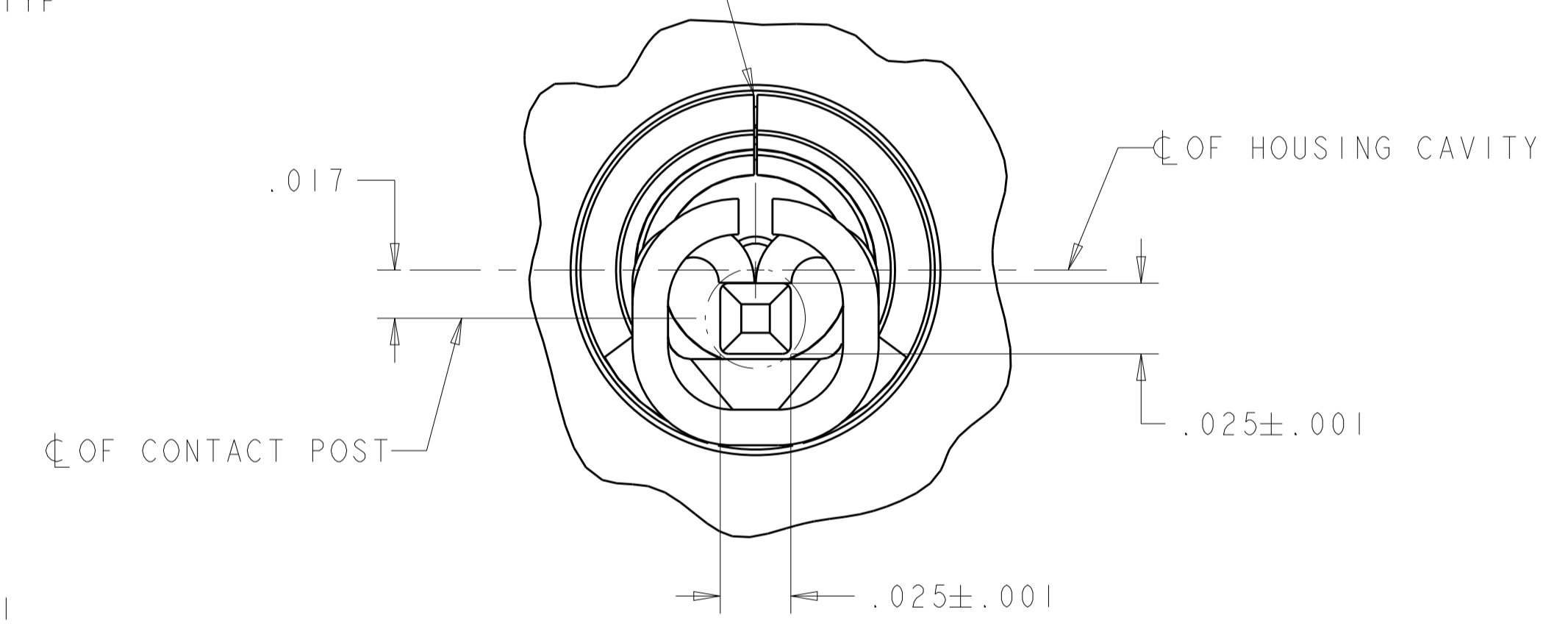


REVISIONS					
P	LTM	DESCRIPTION	DATE	DWN	APVD
P		ADDED 1-2, 1-3 ECO-06-002610	15FEB2006	SW	SH
P1		REVISED PER ECO-09-025699	12DEC2009	KK	AEG
R		REVISED PER ECO-19-011232	07AUG2019	RS	MZ



KEYING PLUG SEE TABLE  
 PERIPHERAL SEAL  
 Ø .150±.003  
 4 PLC

- △ HOUSING: NYLON, UL 94 V-0 RATED, BLACK.
- △ CONTACT:  
 BODY - BRASS, .000100 MIN TIN-LEAD OVER .000050 MIN NICKEL.  
 POST - BRASS, .000100 MIN TIN-LEAD OVER .000050 MIN NICKEL.
- △ CONTACT:  
 BODY - BRASS, .000100 MIN TIN OVER .000050 MIN NICKEL.  
 POST - BRASS, .000100 MIN TIN OVER .000050 MIN NICKEL.
- △ PERIPHERAL SEAL: ELASTOMER, BLACK.
- △ KEYING PLUG: NYLON, NATURAL.
- △ .009 MAXIMUM CONTACT LEAD-IN SEAM GAP PERMISSIBLE ON MATING FACE END.
- △ OBSOLETE PARTS: OBSOLETE CIS STREAMLINING PER D.RENAUD/D.SINISI



△	POSN 9	YES	△	8	1-8	1-213826-3
△	-	YES	△	8	1-5, 7-9	1-213826-2
△	-	YES	△	9	ALL	1-213826-1
△	POSN 9	YES	△	8	1-8	1-213826-0
△	-	YES	△	8	1-5, 7-9	213826-9
△	POSN 9	YES	△	8	1-8	213826-8
△	-	YES	△	8	1-5, 7-9	213826-7
△	POSN 9	YES	△	8	1-8	213826-3
△	-	YES	△	8	1-5, 7-9	213826-2
△	-	YES	△	9	ALL	213826-1
	KEYING PLUG					
	PERIPHERAL SEAL					
			FINISH	QTY	SELECT LOAD IN POSITIONS	PART NUMBER

RECOMMENDED PC BOARD LAYOUT  
 SCALE 3:1

RECOMMENDED PANEL LAYOUT  
 .125 MAX PANEL THICKNESS  
 SCALE 3:1

THIS DRAWING IS A CONTROLLED DOCUMENT. DWN S.WELDON 23MAY2003  
 CH S.HEADER 23MAY2003  
 APVD S.HEADER 23MAY2003

DIMENSIONS: INCHES  
 TOLERANCES UNLESS OTHERWISE SPECIFIED:  
 0 PLC ±.0  
 2 PLC ±.010  
 3 PLC ±.010  
 4 PLC ±.010  
 ANGLES ±.0000

MATERIAL: - FINISH: - WEIGHT: -

CUSTOMER DRAWING

NAME: RECEPTACLE ASSEMBLY, POSTED, REVERSE SEX, SERIES 1, 17-9, CPC  
 PRODUCT SPEC: 108-10024  
 APPLICATION SPEC: 114-10004

SIZE: 114-10004  
 WEIGHT: -  
 CUSTOMER DRAWING

SCALE 4:1 SHEET 1 OF 1 REV R

单击下面可查看定价，库存，交付和生命周期等信息

[>>TE Connectivity\(泰科\)](#)