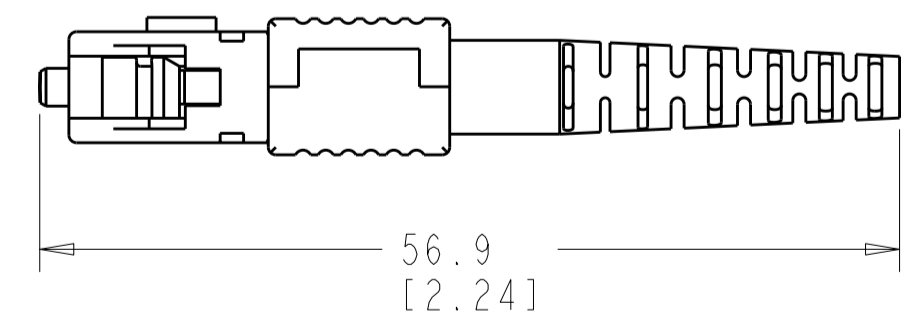
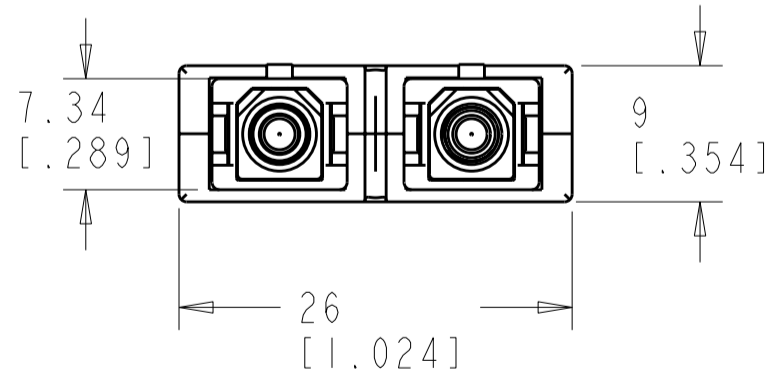
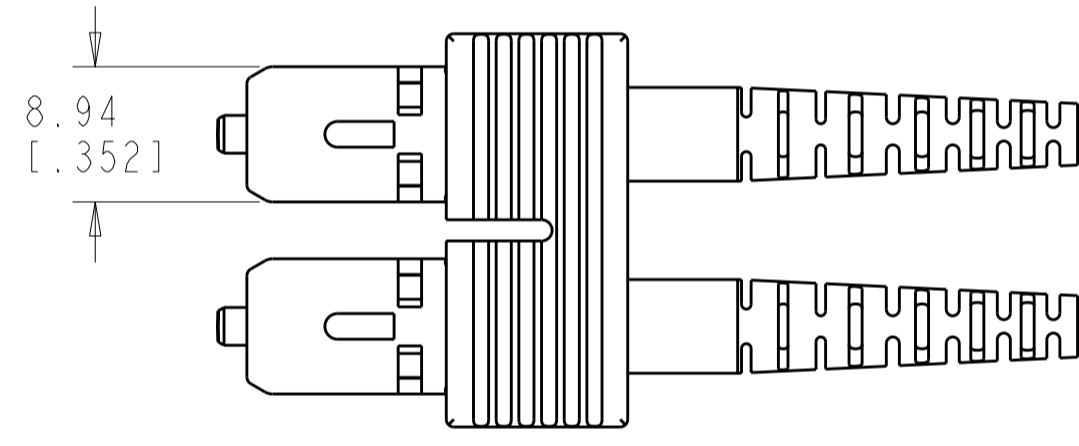
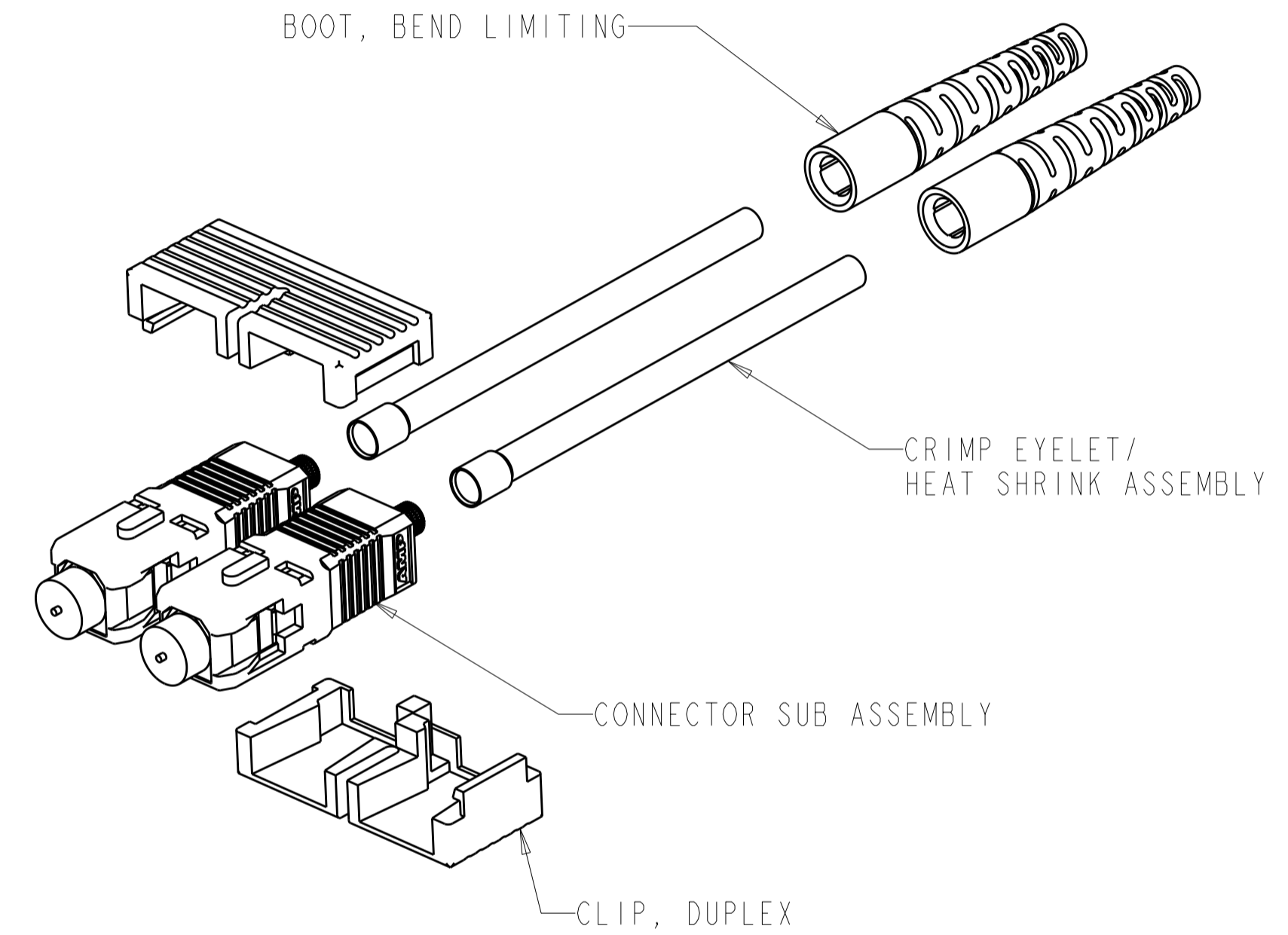


THIS DRAWING IS UNPUBLISHED. RELEASED FOR PUBLICATION
 © COPYRIGHT BY TYCO ELECTRONICS CORPORATION. ALL INTERNATIONAL RIGHTS RESERVED.

LOC	DIST	REVISIONS			
P	LTR	DESCRIPTION	DATE	DWN	APVD
	A	REVISE PER ECO-07-017712	31JULY2007	DHR	DHR
	B	REVISE PER ECR-09-023904	05NOV2009	IL	CT

1 MATERIAL: PROTECTIVE COVER: TPE, COLOR:BLACK, UL 94 HB. *
 FERRULE SUB ASSEMBLY: ZIRCONIA/METAL
 COMPRESSION SPRING: STAINLESS STEEL.
 CONNECTOR HOUSING: PBT, COLOR:BLUE, UL 94 V-0. *
 PLUG BODY: PAS, COLOR: BEIGE, UL 94 V-0. *
 REAR BODY: METAL
 BOOT: PP, COLOR:BLUE, UL 94 V-0. *
 CRIMP EYELET/HEAT SHRINK ASSY: ALUM. ALLOY, HEAT SHRINK: POLYOLEFIN, UL VW-I.
 CLIP, DUPLEX, TP, COLOR: BLACK
 *RATED AT QUALIFYING THICKNESS.

2 BULK PACKAGED



OBSELETE 1828573-2
 1828573-1
 PART NUMBER

THIS DRAWING IS A CONTROLLED DOCUMENT FOR TYCO ELECTRONICS CORPORATION. IT IS SUBJECT TO CHANGE AND THE CONTROLLING ENGINEERING ORGANIZATION SHOULD BE CONTACTED FOR THE LATEST REVISION.		DWN D. ERDMAN 19APR2005	Tyco Electronics Corporation Shanghai, China	
DIMENSIONS: mm [INCHES]		CHK E. HOPKINS 19APR2005	NAME CONNECTOR KIT, SC, DUPLEX SM, JUMPER, TIGHT JACKET STYLE, 1.6-2.0mm	
TOLERANCES UNLESS OTHERWISE SPECIFIED: 0 PLC ± 1 PLC ±0.1/[0.004] 2 PLC ±0.01/[0.0004] 3 PLC ± 4 PLC ± ANGLES ± FINISH		APVD B. EDWARDS 19APR2005	PRODUCT SPEC -	RESTRICTED TO -
MATERIAL		APPLICATION SPEC -	WEIGHT -	SIZE A2
1		CUSTOMER DRAWING	SCALE 3:1	DRAWING NO. C-1828573
			SHEET 1	OF 1
			REV B	

单击下面可查看定价，库存，交付和生命周期等信息

[>>TE Connectivity\(泰科\)](#)