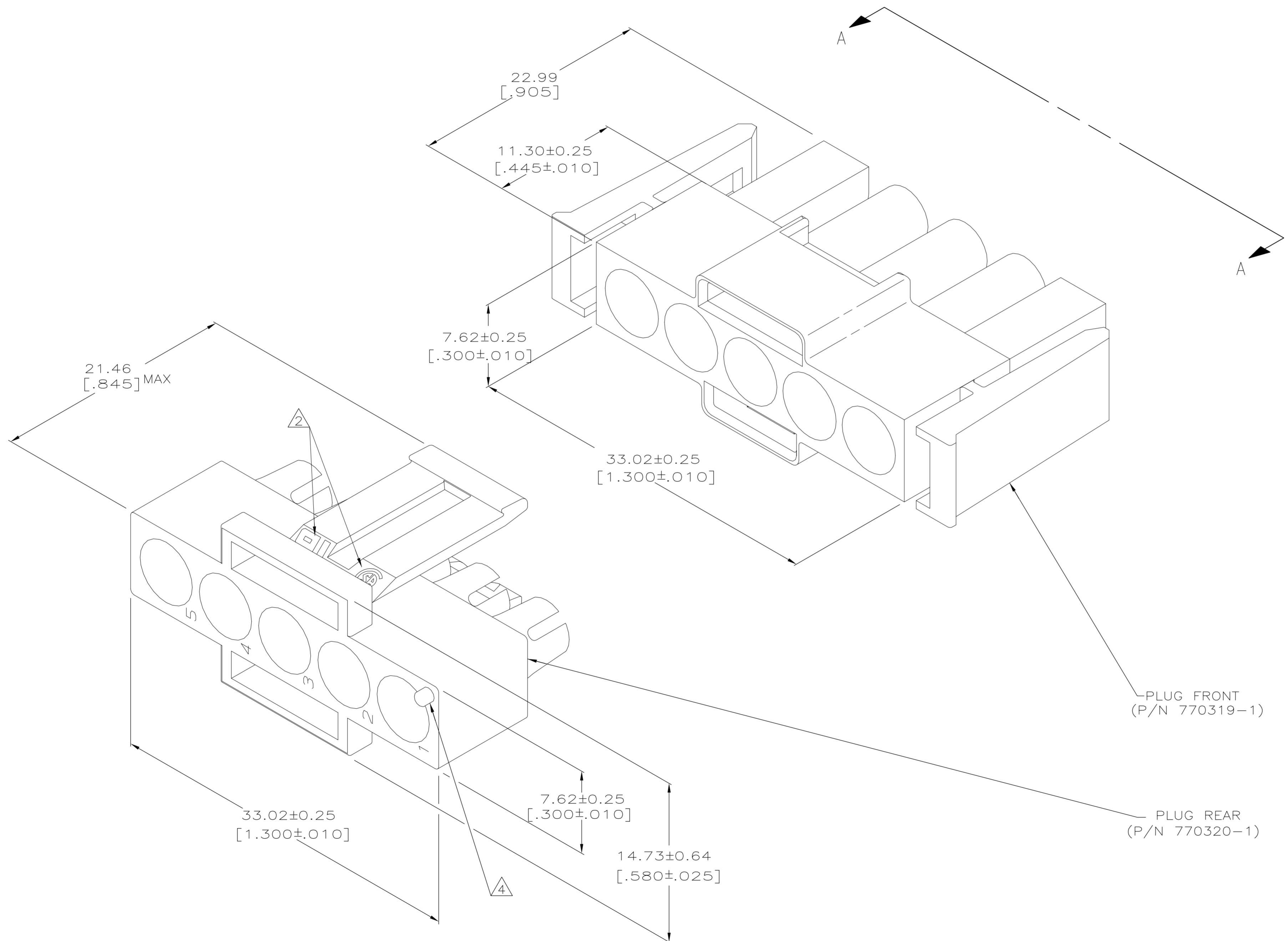
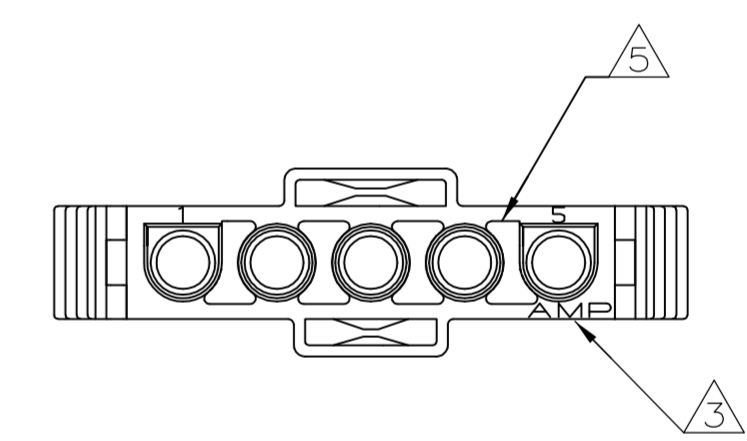


REVISIONS				
P	LTR	DESCRIPTION	DATE	OWN APVD
E1		REVISED PER ECO-17-009556	03JUL2017	RS SW



- 1. BULK PACKAGED, UNASSEMBLED.
- 2. APPROVAL AGENCY LOGO LOCATED APPROXIMATELY AS SHOWN.
- 3. AMP LOGO LOCATED THIS SURFACE.
- 4. CIRCUIT NUMBER ONE IDENTIFICATION BUTTON AND CIRCUIT IDENTIFICATION NUMBERS ARE EACH LOCATED ADJACENT TO THE APPROPRIATE CIRCUIT CAVITIES.
- 5. NEW MOLD CONSTRUCTION PROVIDES MATERIAL REDUCTION CORING AT BASE OF SILOS WITH NO CORING AS OPTIONAL.
- 6. DIMENSIONS SHOWN REPRESENT PRODUCT IN DRY, AS MOLDED CONDITION. ADDITIONAL 2% GROWTH DUE TO SUBSEQUENT MOISTURE ABSORPTION MAY OCCUR AND SHOULD BE ACCOUNTED FOR



VIEW A-A
SCALE 2:1

PLUG FRONT
(P/N 770319-1)

PLUG REAR
(P/N 770320-1)

770016-1
PART NUMBER

METRIC

THIS DRAWING IS A CONTROLLED DOCUMENT.		DWG K. SALMON 1-22-92	TE Connectivity	
DIMENSIONS: INCHES		CHK R. SWING 1-22-92	NAME	
TOLERANCES UNLESS OTHERWISE SPECIFIED:		APVD	PRODUCT SPEC	
0. PLC ± -	1. PLC ± -	APPLICATION SPEC		
2. PLC ± -	3. PLC ± 0.13 (.005)	SIZE		
4. PLC ± -	ANGLES ± -	CAGE CODE		
MATERIAL NYLON,UL94V-0,	FINISH	WEIGHT 0.000000	DRAWING NO A1 00779	RESTRICTED TO
CUSTOMER DRAWING		SCALE 5:1	DWG NO C=770016	SHEET 1 of 1
				REV E1

单击下面可查看定价，库存，交付和生命周期等信息

[>>TE Connectivity\(泰科\)](#)