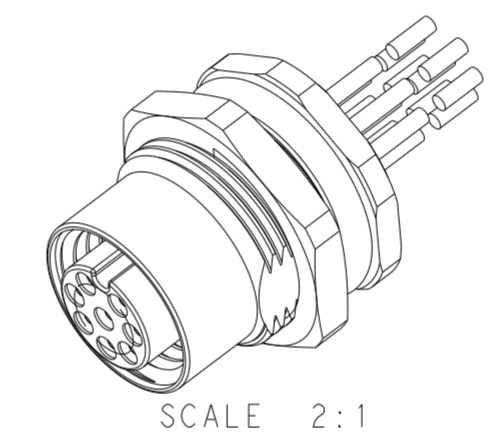
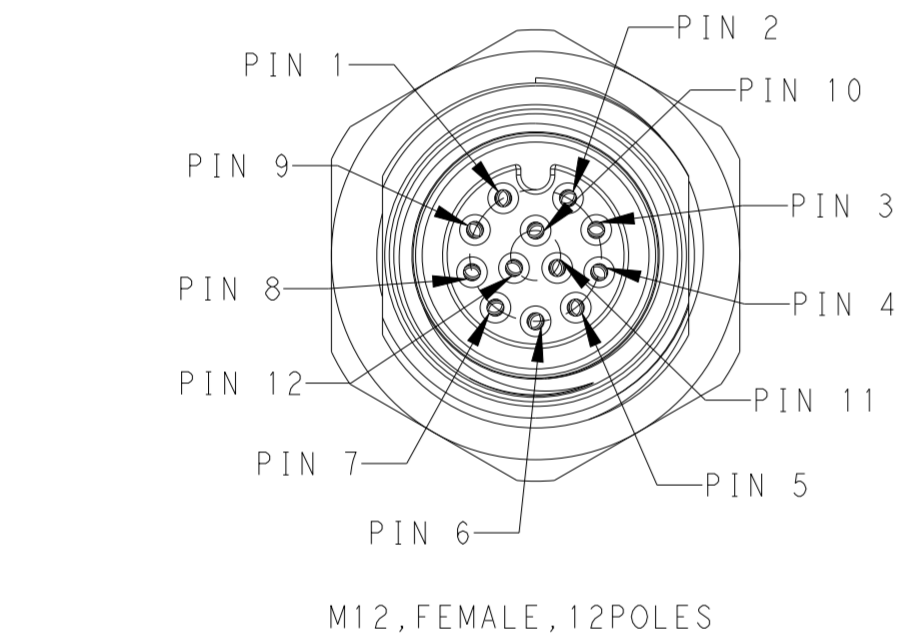
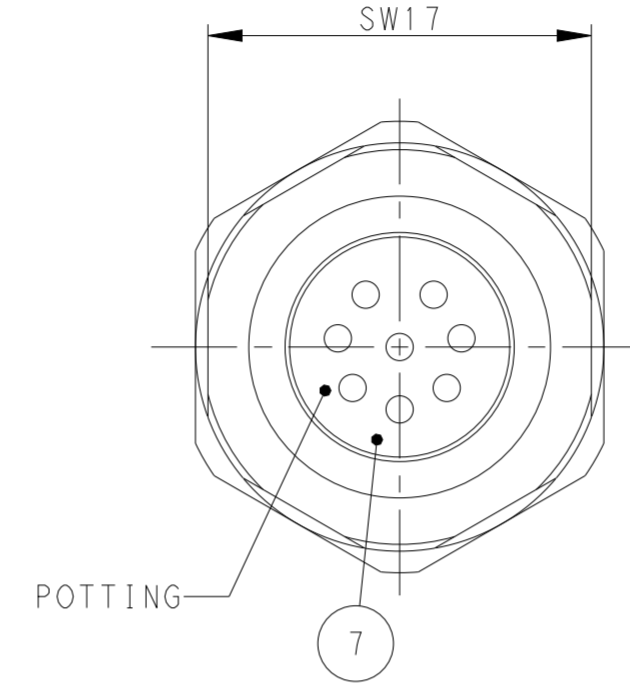
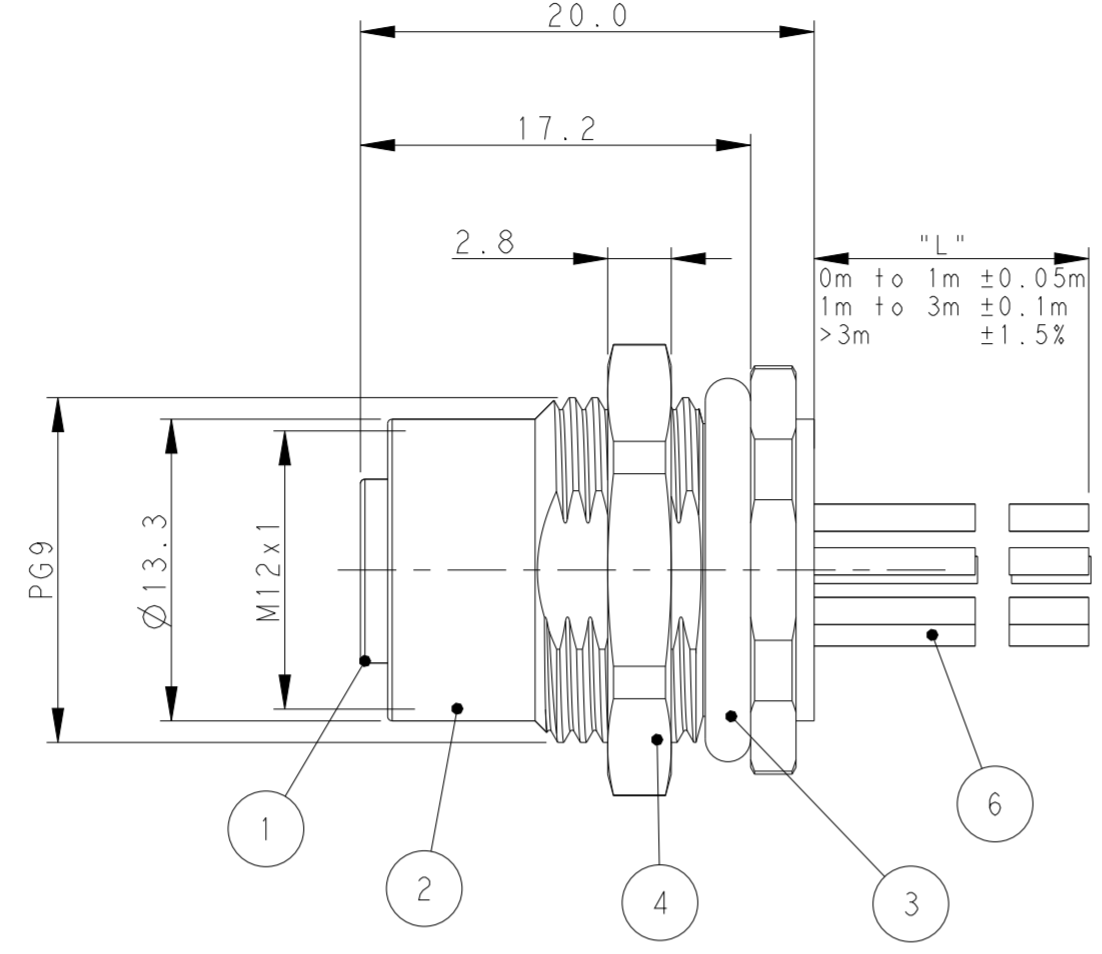
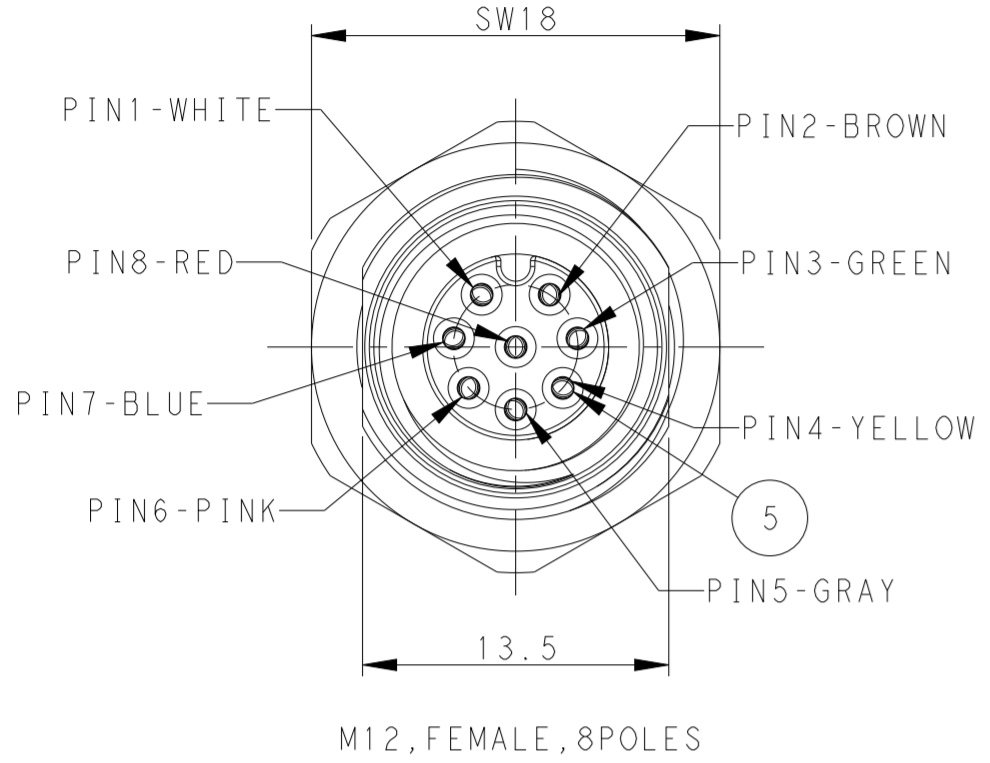


THIS DRAWING IS UNPUBLISHED. RELEASED FOR PUBLICATION
 © COPYRIGHT copyright.d8Te- ALL RIGHTS RESERVED.

REVISIONS					
P	LTR	DESCRIPTION	DATE	DWN	APVD
A		INITIAL RELEASE	03JAN2018	G.W	C.W
B		ECR-19-009136	30JUL2019	C.D	C.W
B1		ECR-21-121934	24NOV2021	G.W	C.W



- NOTE:
1. TECHNICAL DATA: SEE TABLE 1
 2. RECOMMENDED MOUNT PANEL SEE DETAIL
 3. PACKAGING: 1PCS/BAG
 4. ALL DIMENSIONS ARE FOR NOMINAL REFERENCE ONLY UNLESS OTHERWISE STATED
 5. SEE TABLE 2, TYPE CODING:
-X.X: CALBE LEGTH: -0.2:0.2M; -0.5:0.5M; -1.0:1.0M
 6. SEE TABLE 2, PN CODING:
-00X: CALBE LEGTH: -001:0.2M; -002:0.5M; -003:1.0M

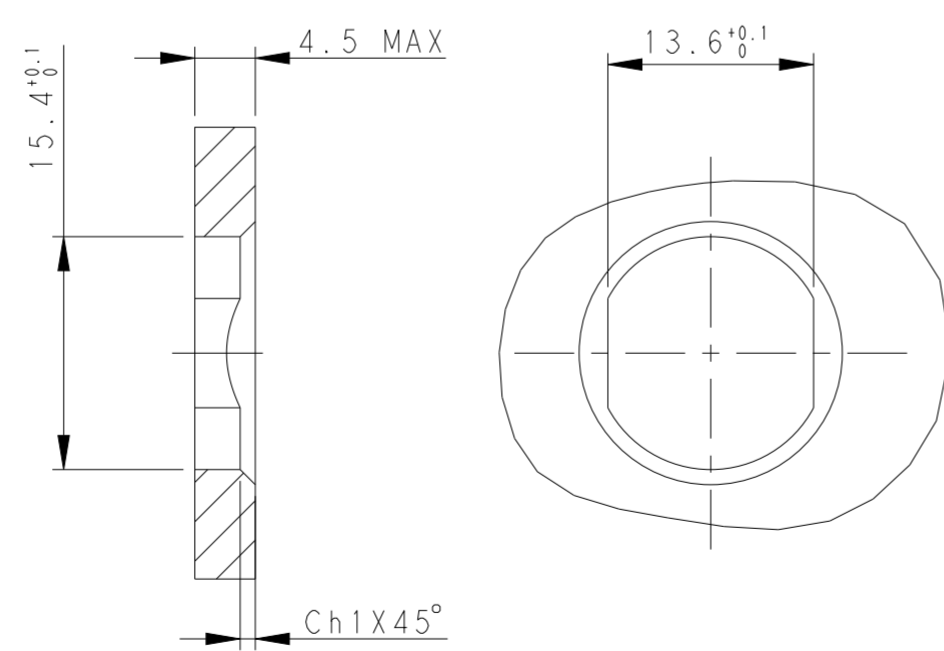
- 注释:
1. 技术参数, 见表1
 2. 推荐开孔尺寸详见如图所示
 3. 包装: 1PCS/袋
 4. 所有尺寸仅供参考, 除非另有说明
 5. 参照表2, 型号编码:
-X.X: 线缆长度: -0.2:0.2M; -0.5:0.5M; -1.0:1.0M
 6. 参照表2, 料号编码:
-00X: 线缆长度: -001:0.2M; -002:0.5M; -003:1.0M

TABLE 2

CABLE CHARACTERISTIC	CABLE LENGTH "L"	TYPE	POS.	PART NUMBER
WIRES: 0.25MM ² (24AWG) FOR 8P 0.14MM ² (26AWG) FOR 12P	-001:0.2M -002:0.5M -003:1.0M CUSTOMIZATION: -0XX:X.XM(<10M)	RPC-M12-FF-12CON-PG9-X.XLAU ⁵	12	T4171130012-00X ⁶
		RPC-M12-FF-8CON-PG9-X.XLAU ⁵	8	T4171120008-00X ⁶

TABLE 1

TECHNICAL DATA	T4171120008-00X	T4171130012-00X
RATED VOLTAGE	30V	30V
RATED CURRENT	2A	1.5A
POLLUTION DEGREE	3	3
OVERVOLTAGE CATEGORY	II	II
MATERIAL GROUP	II	II
DEGREE OF PROTECTION	IP67	IP67
OPERATION TEMPERATURE	-40~85°C	-40~85°C



HOUSING CUTOUT FOR PG9 FASTENING THREAD, MOUNTING PANEL WITH FEEDTHROUGH HOULE (ALTERNATIVELY WITH AREA AS ANTI-ROTATION PROTECTION FOR PANEL THICKNESSES>2.5MM UP TO MAX. 4.5MM)

RECOMMENDED PANEL CUTOUT

MATERIAL	OTHERS	MATERIAL	DESCRIPTION	ITEM
-	EPOXY RESIN	POTTING ADHESIVE		7
-	-	CABLE		6
GOLD PLATED	BRASS	CONTACT		5
NICKEL PLATED	BRASS	METAL NUT		4
BLACK	RUBBER	O-RING		3
NICKEL PLATED	BRASS	M12, FEMALE, METAL BODY		2
-	PA	M12, FEMALE HSG		1

THIS DRAWING IS A CONTROLLED DOCUMENT.

DWN: GAVIN WANG 03JAN2018
 CHK: KEVIN HUANG 03JAN2018
 APVD: CHRIS WANG 03JAN2018

TE Connectivity

M12 PANEL MOUNT CONNECTOR
 A CODE, FEMALE, REAR MOUNT
 WITH WIRE

PRODUCT SPEC: 108-106140
 APPLICATION SPEC: 114-137144

SIZE: A2 CAGE CODE: - DRAWING NO: T417112000800X
 WEIGHT: -
 CUSTOMER DRAWING SCALE: 3:1 SHEET: 1 OF 1 REV: B1

单击下面可查看定价，库存，交付和生命周期等信息

[>>TE Connectivity\(泰科\)](#)