

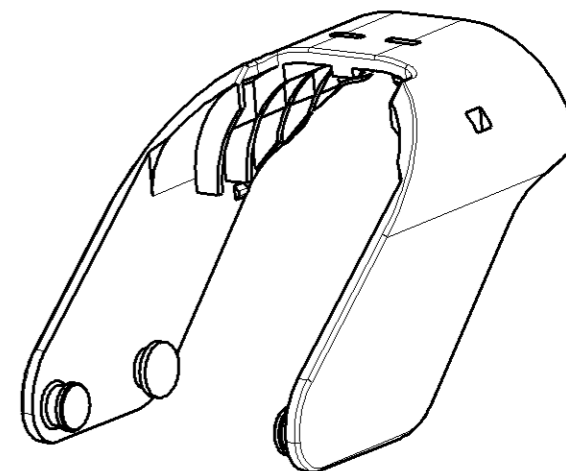
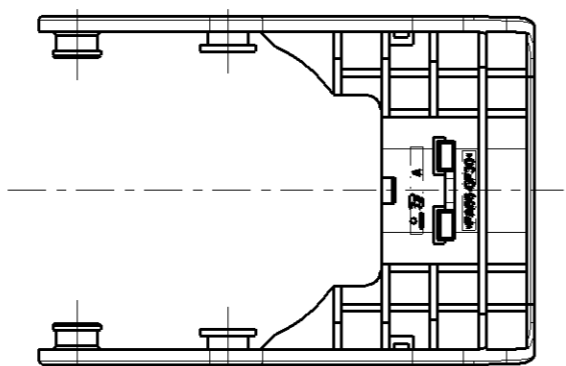
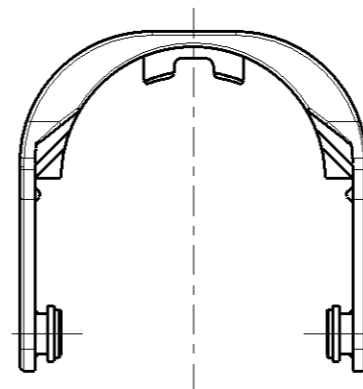
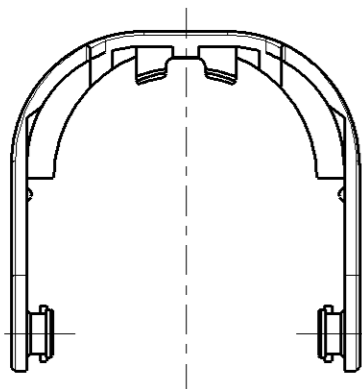
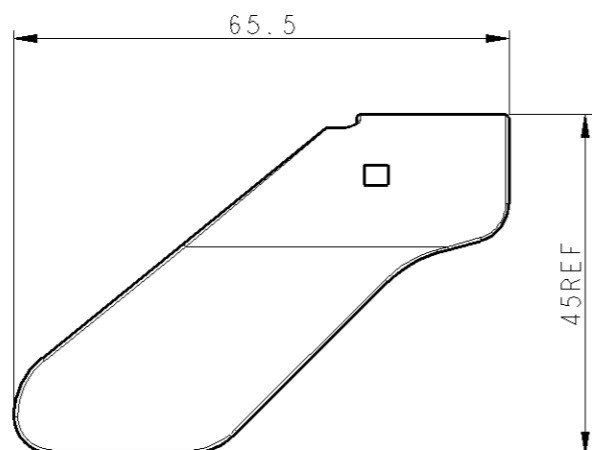
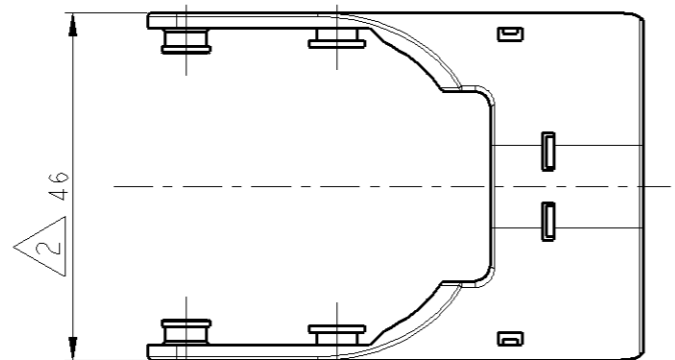
THIS DRAWING IS UNPUBLISHED.

RELEASED FOR PUBLICATION

20

© COPYRIGHT 20 BY TYCO ELECTRONICS CORPORATION. ALL RIGHTS RESERVED.

LOC	DIST	REVISIONS			
P	LTR	DESCRIPTION	DATE	DWN	APVD
DS	-				
	A	RELEASED	21APR08	YH	HG



3D VIEW SCALE 1:1

NOTE
 1. GENERAL TOLERANCE: ± 0.5 , $\pm 3^\circ$
 2. WARPAGE PERMITTED MAX. 8mm
 3. APPLICATION TEST SPEC: MS210-06-A2[EXT-2](EXCEPT 4.4)

BLACK	PA66-GF30	LEVER HSG	1897646-2
COLOR	MATERIAL	DESCRIPTION	P/N

THIS DRAWING IS A CONTROLLED DOCUMENT FOR TYCO ELECTRONICS CORPORATION IT IS SUBJECT TO CHANGE AND THE CONTROLLING ENGINEERING ORGANIZATION SHOULD BE CONTACTED FOR THE LATEST REVISION.		DWN YH MA CHK YM CHOI APVD HG CHO PRODUCT SPEC APPLICATION SPEC WEIGHT CUSTOMER DRAWING	Tyco Electronics Tyco Electronics Kyungsan, Korea NAME LEVER HSG FOR CPA SIZE A3 CAGE CODE 00779 DRAWING NO C-1897646 RESTRICTED TO SCALE 1:1 SHEET 1 OF 1 REV A
DIMENSIONS: mm 	TOLERANCES UNLESS OTHERWISE SPECIFIED: 0 PLC \pm 1 PLC \pm 2 PLC \pm 3 PLC \pm 4 PLC \pm ANGLES \pm FINISH -		
MATERIAL	SEE TABLE		

单击下面可查看定价，库存，交付和生命周期等信息

[>>TE Connectivity\(泰科\)](#)