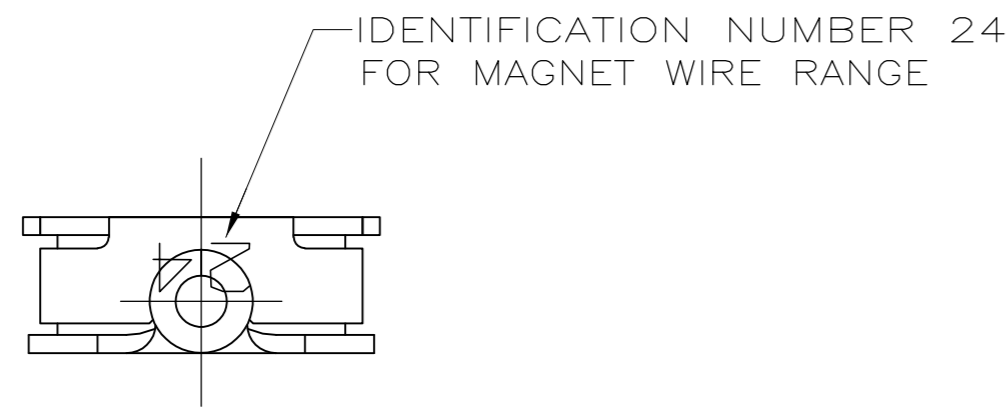
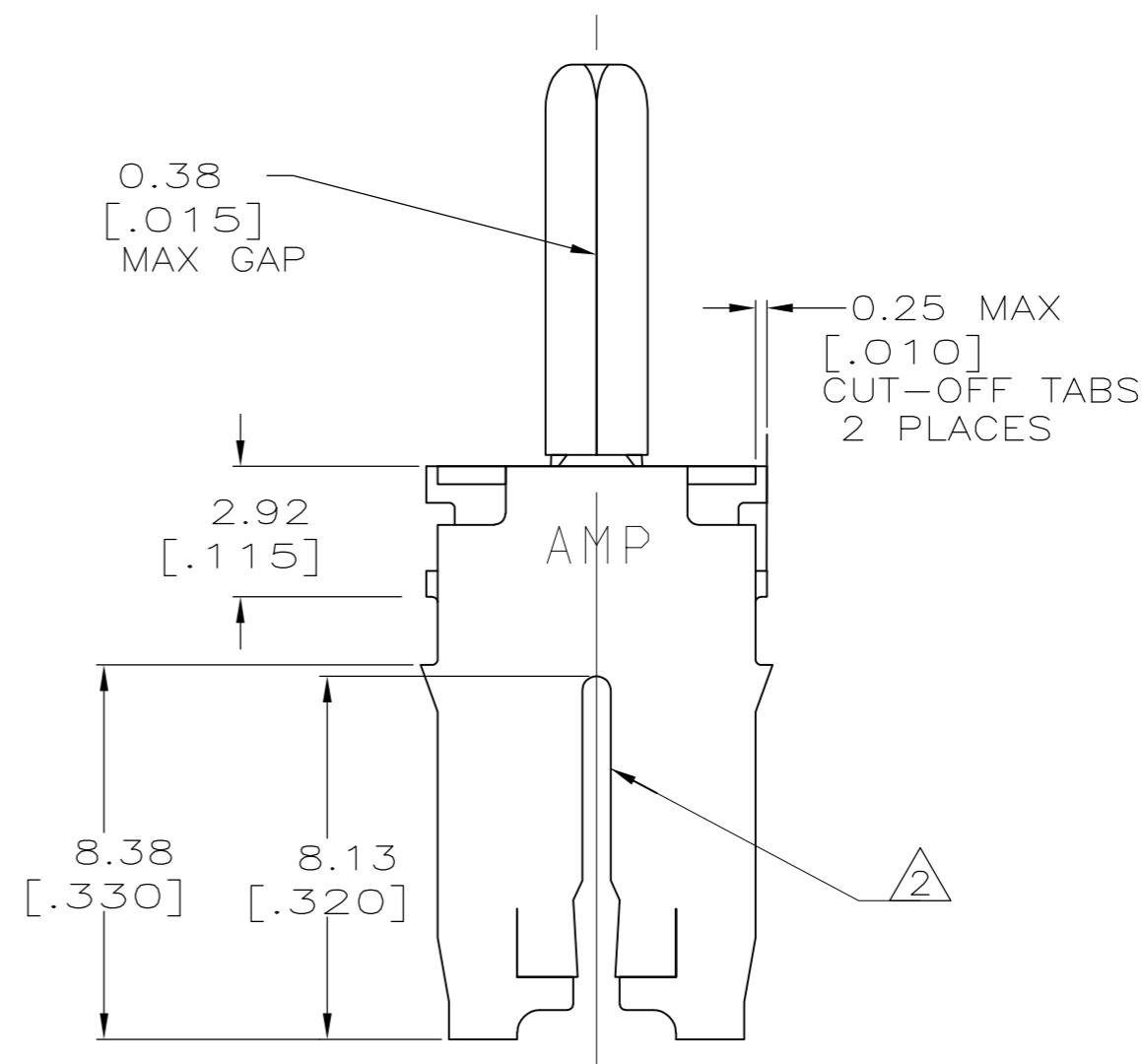
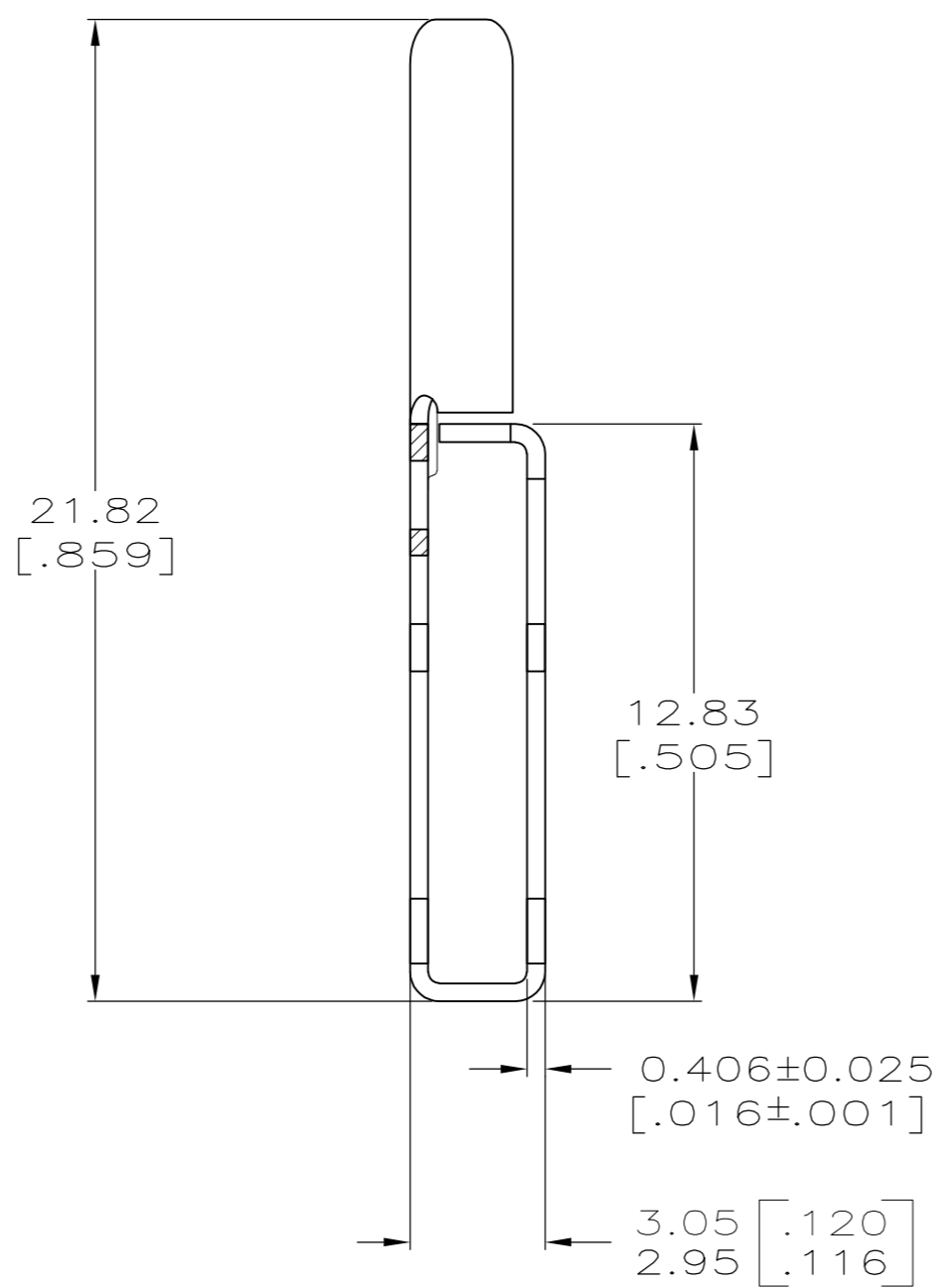
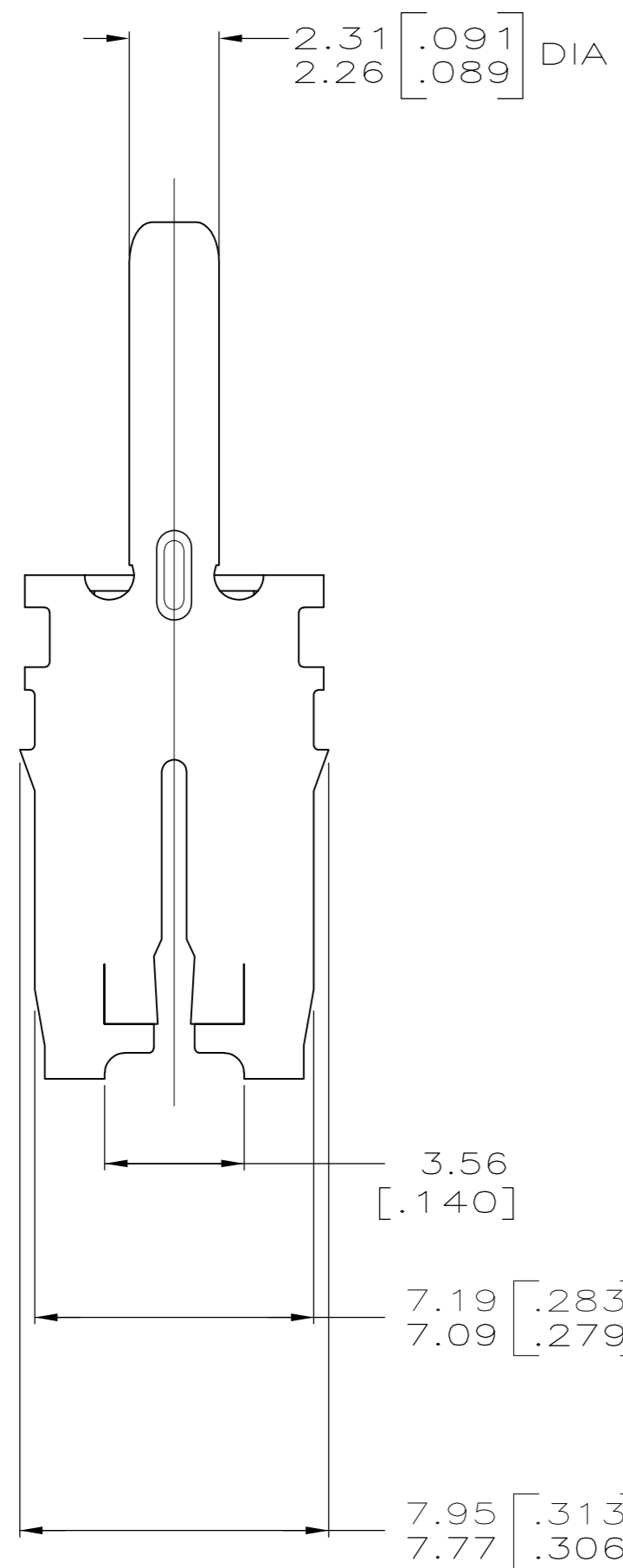


THIS DRAWING IS UNPUBLISHED. RELEASED FOR PUBLICATION  
 © COPYRIGHT - By - ALL RIGHTS RESERVED.

LOC	DIST	REVISIONS			
P	LTR	DESCRIPTION	DATE	DWN	APVD
AF	50	A2	ECR-13-016672	25OCT13	PKS RRP



- 1 SUPPLIED IN LOOSE PIECE
- 2 SLOT ACCEPTS 0.86-1.15mm [#19.5-#17] AWG COPPER MAGNET WIRE. 2 WIRES OF THE SAME SIZE MAX PER SLOT.
- 3 VARNISH RESIST OVER TIN



1742404-1  
PART NUMBER

THIS DRAWING IS A CONTROLLED DOCUMENT.		DWN JR RUTH 07MAR06	<b>TE</b> TE Connectivity	
DIMENSIONS: INCHES		CHK K RANDOLPH 07MAR06		
TOLERANCES UNLESS OTHERWISE SPECIFIED:		APVD K RANDOLPH 07MAR06	NAME K RANDOLPH	
0 PLC ± -		PRODUCT SPEC	PIN, 2.29[.090] DIA, 500 SERIES MAG-MATE	
1 PLC ± -		108-2053	SIZE	CAGE CODE
2 PLC ± 0.25[.010]		APPLICATION SPEC	A2	00779
3 PLC ± -		114-2066	DRAWING NO C=1742404	
4 PLC ± -		WEIGHT	RESTRICTED TO	
ANGLES ± -		-	-	
FINISH		3	SCALE	SHEET
BRASS		CUSTOMER DRAWING	6:1	1 of 1
			REV	A2

单击下面可查看定价，库存，交付和生命周期等信息

[>>TE Connectivity\(泰科\)](#)