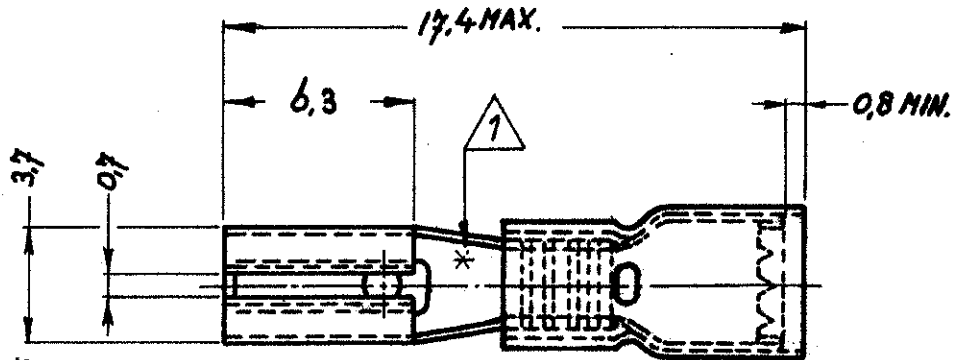
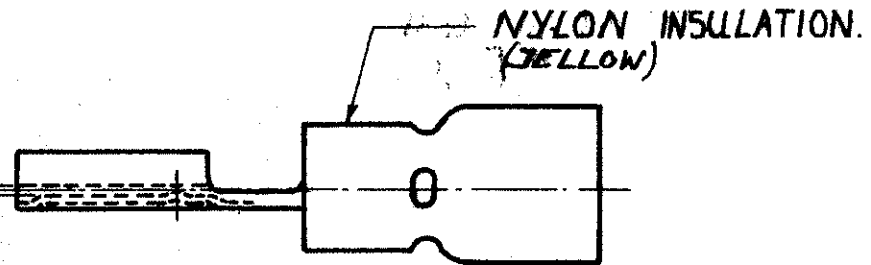


DRAWING MADE IN AMERICAN PROJECTION

NUMBER C-165619



FITS O.B. TAB THICKNESS



- ① ASTERISK * FOR PH.BRONZE ITEMS ONLY
- ② OBSOLETE w/o REPLACEMENT

2-165619.7	165619.7	TAPE MOUNTED	①
2-165619.6	165619.6	TAPE MOUNTED	①
2-165619.5	165619.5	TAPE MOUNTED	①
2-165619.4	165619.4	TAPE MOUNTED	
2-165619.3	165619.3	TAPE MOUNTED	
2-165619.2	165619.2	TAPE MOUNTED	
165619-7	PH. BRONZE	GOLD	①
165619-6	PH. BRONZE	SILVER	①
165619-5	PH. BRONZE	TIN	①
165619-4	BRASS	GOLD	
165619-3	BRASS	SILVER	
165619-2	BRASS	TIN	

CUSTOMER COPY FOR REFERENCE ONLY

©1981 BY AMP-HOLLAND N.V. ALL RIGHTS RESERVED A-MP PRODUCTS COVERED BY PATENTS AND/OR PATENTS PENDING.



AMP-HOLLAND N.V.
's-Hertogenbosch

WIRE-RANGE 0.14-0.35 mm ²	INSUL.-RANGE 1.1-2.1 mm. DIA.	FIRST USED
---	----------------------------------	------------

ORDER NO.	MATERIAL	PLATING
-----------	----------	---------

SCALE NOS.	SIZE A	NO C-165619	REV E
---------------	-----------	----------------	----------

DR. G. WILLEMSEN	DATE NOV 81	DE	DATE
CHK L. P. ...	DATE 20/11/81	APP B	DATE 12.10.81

NAME 110 SERIES D11G FASTON RECEPTACLE

DIMENSIONS IN M.M. DO NOT SCALE PRINT

单击下面可查看定价，库存，交付和生命周期等信息

[>>TE Connectivity\(泰科\)](#)