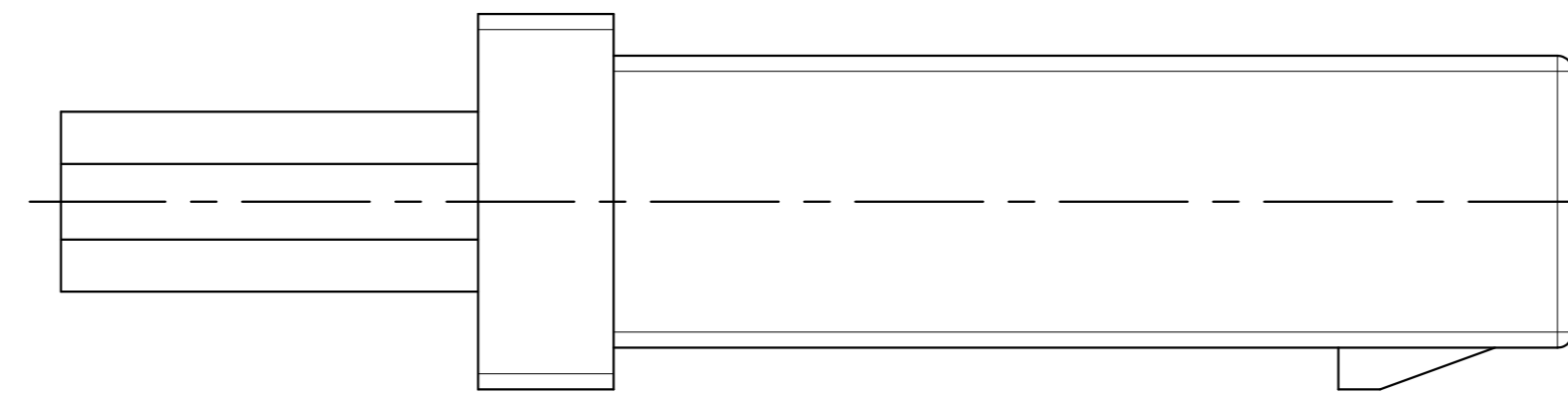
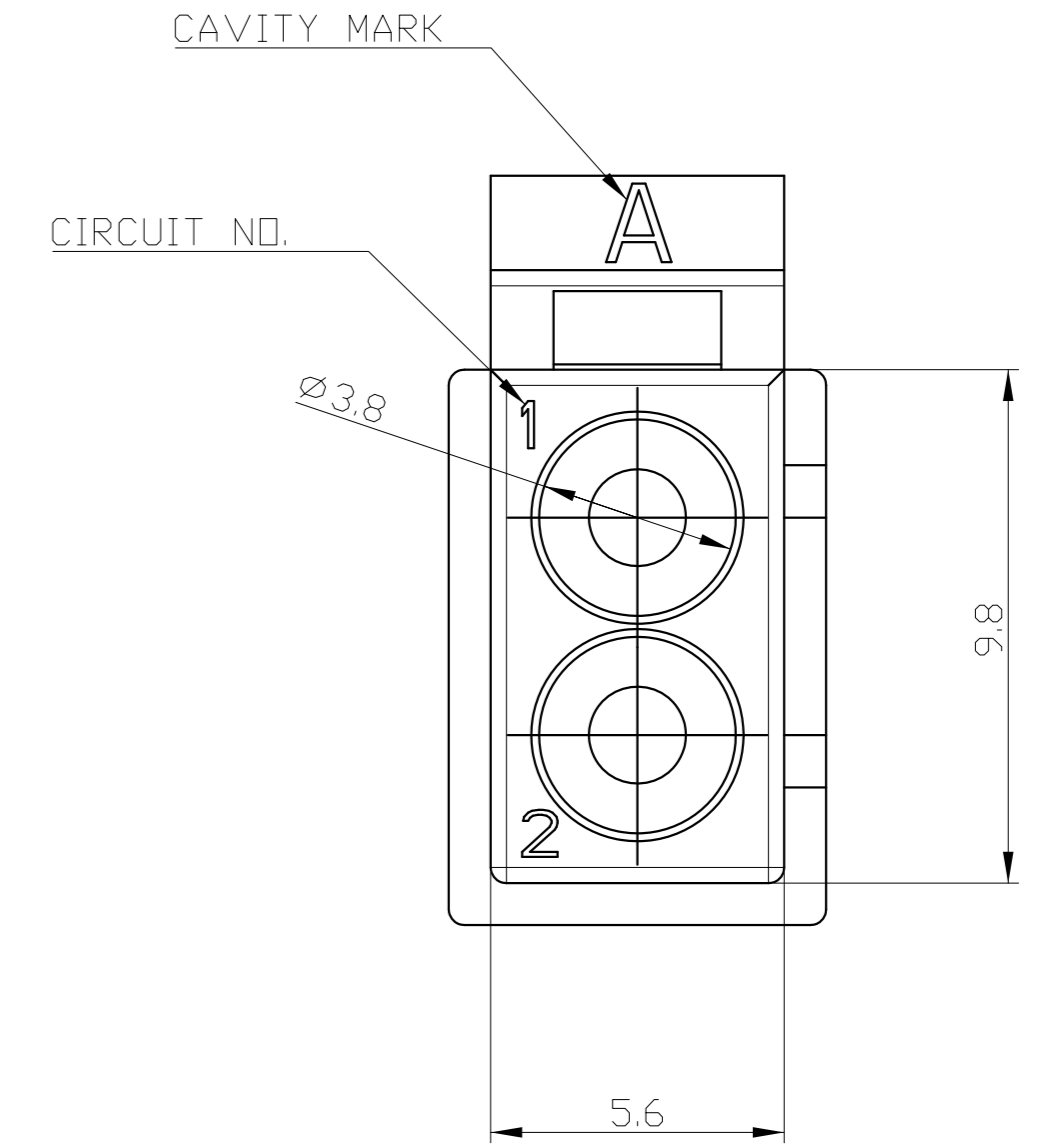
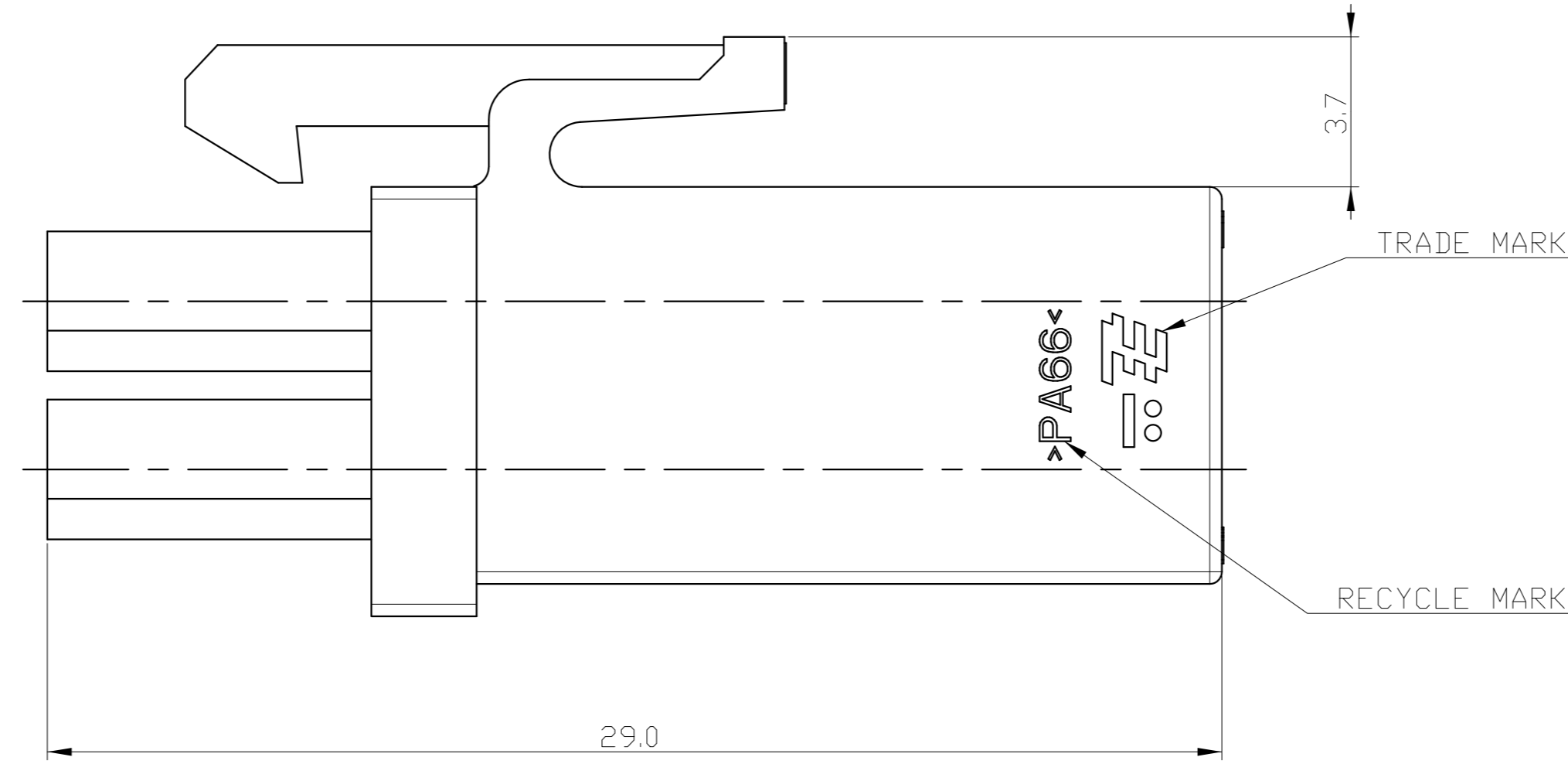
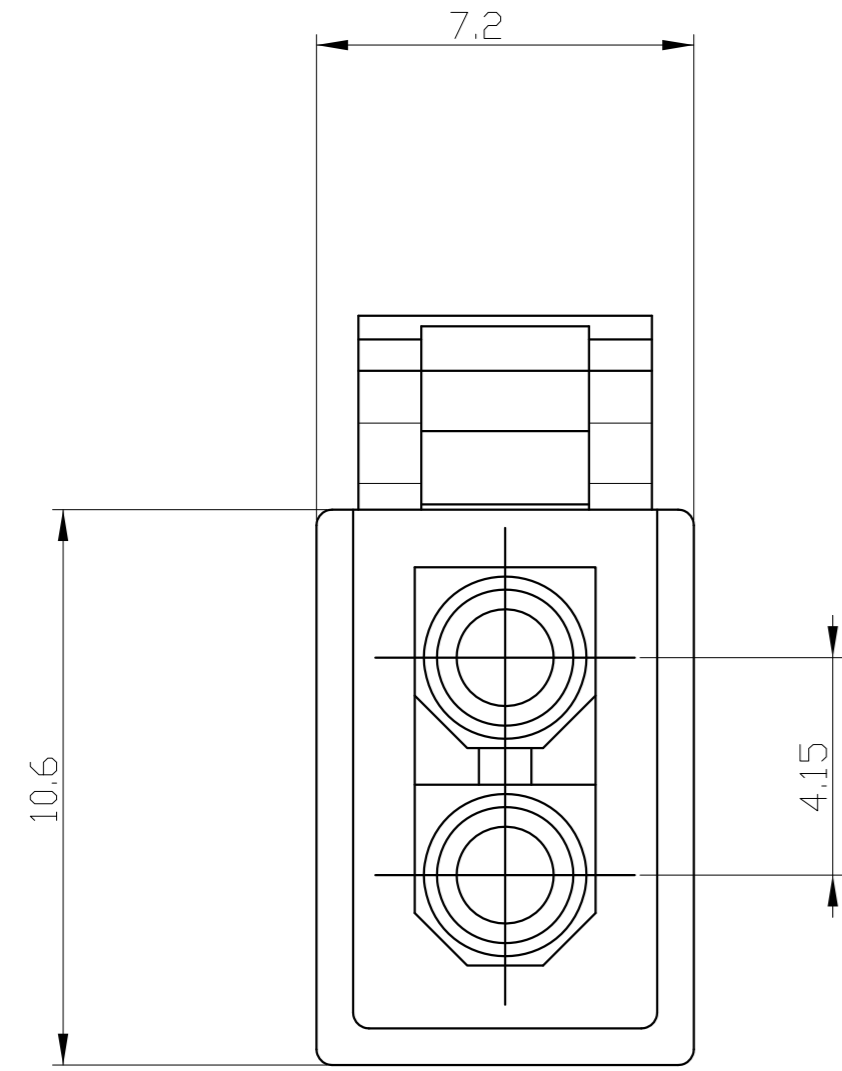
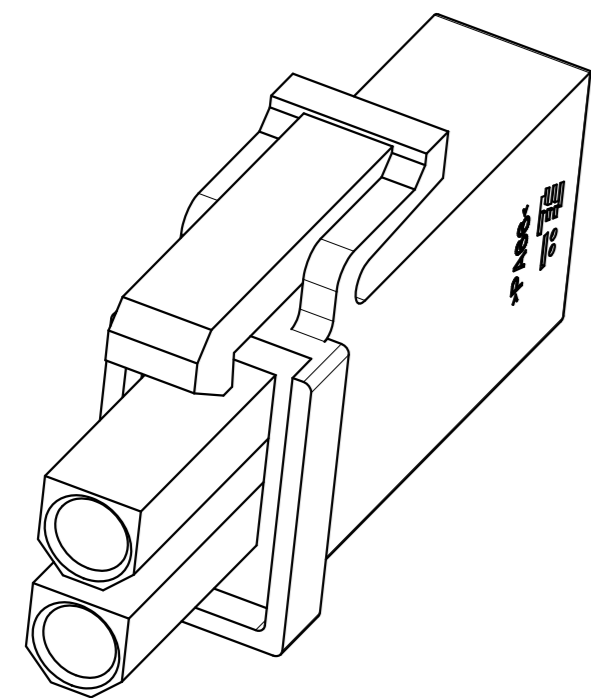


LOC	DIST	REVISIONS					
DS	-	P	LTR	DESCRIPTION	DATE	DWN	APVD
		A		RELEASED	30 JUN 08	JH	JK



- NOTES:
1. APPLICABLE CONN. P/N: X-1897627-X
 2. APPLICABLE CONTACT P/N: 770901-X 770903-X
 3. APPLICABLE WIRE SEAL P/N: 2005877-X
 4. APPLICABLE I/F SEAL P/N: 1897989-2



ISOMETRIC VIEW

1897623-1	6/6 NYLON	NATURAL
P/N	MATERIAL	COLOR

THIS DRAWING IS A CONTROLLED DOCUMENT FOR TYCO ELECTRONICS CORPORATION. IT IS SUBJECT TO CHANGE AND THE CONTROLLING ENGINEERING ORGANIZATION SHOULD BE CONTACTED FOR THE LATEST REVISION.		DWN JH GONG	AMP KOREA Kyungsan, Korea	
DIMENSIONS: MM		CHK BW KANG	NAME Tyco Electronics	
TOLERANCES UNLESS OTHERWISE SPECIFIED: 0 PLC ± 1 PLC ± 2 PLC ± ±0.25 3 PLC ± 4 PLC ± ANGLES ± FINISH		APVD JK SONG	PRODUCT SPEC 108-61101	
MATERIAL 6/6 NYLON		APPLICATION SPEC 114-16017	SIZE A200779	RESTRICTED TO -
CUSTOMER DRAWING		WEIGHT -	DRAWING NO C=1897623	SCALE 4:1
		SCALE 4:1	SHEET 1	REV A

单击下面可查看定价，库存，交付和生命周期等信息

[>>TE Connectivity\(泰科\)](#)