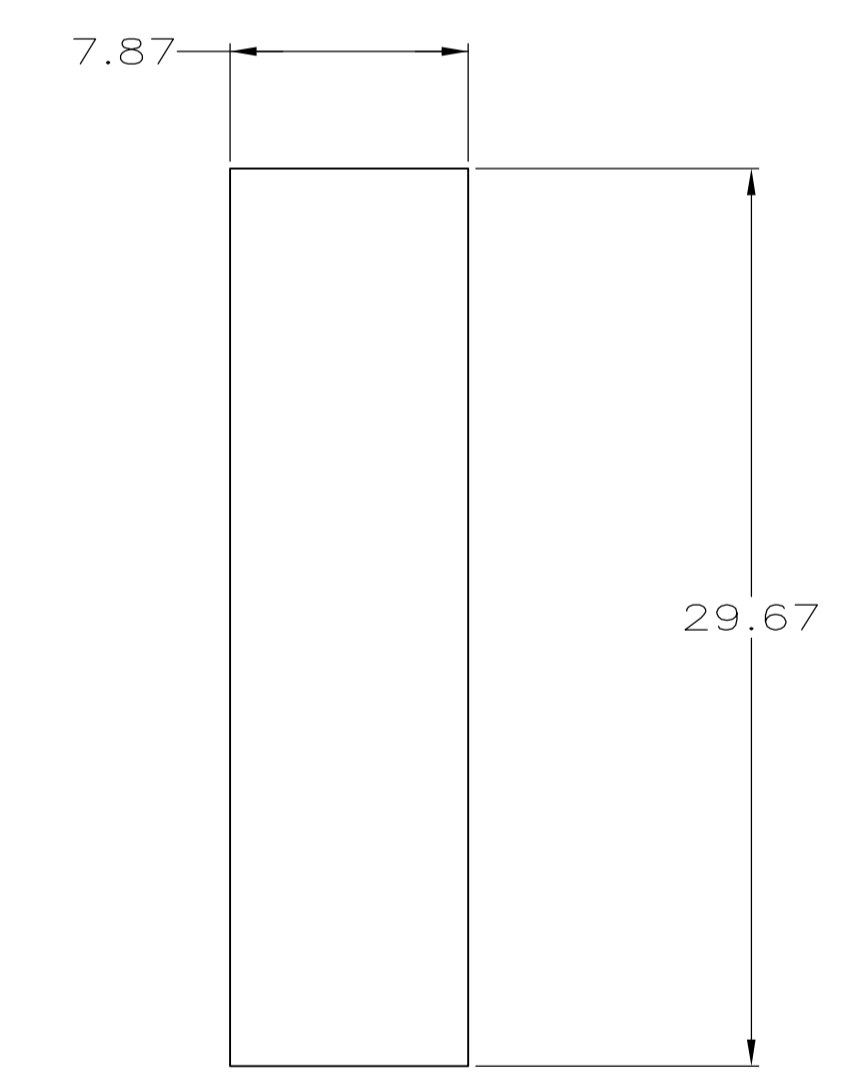
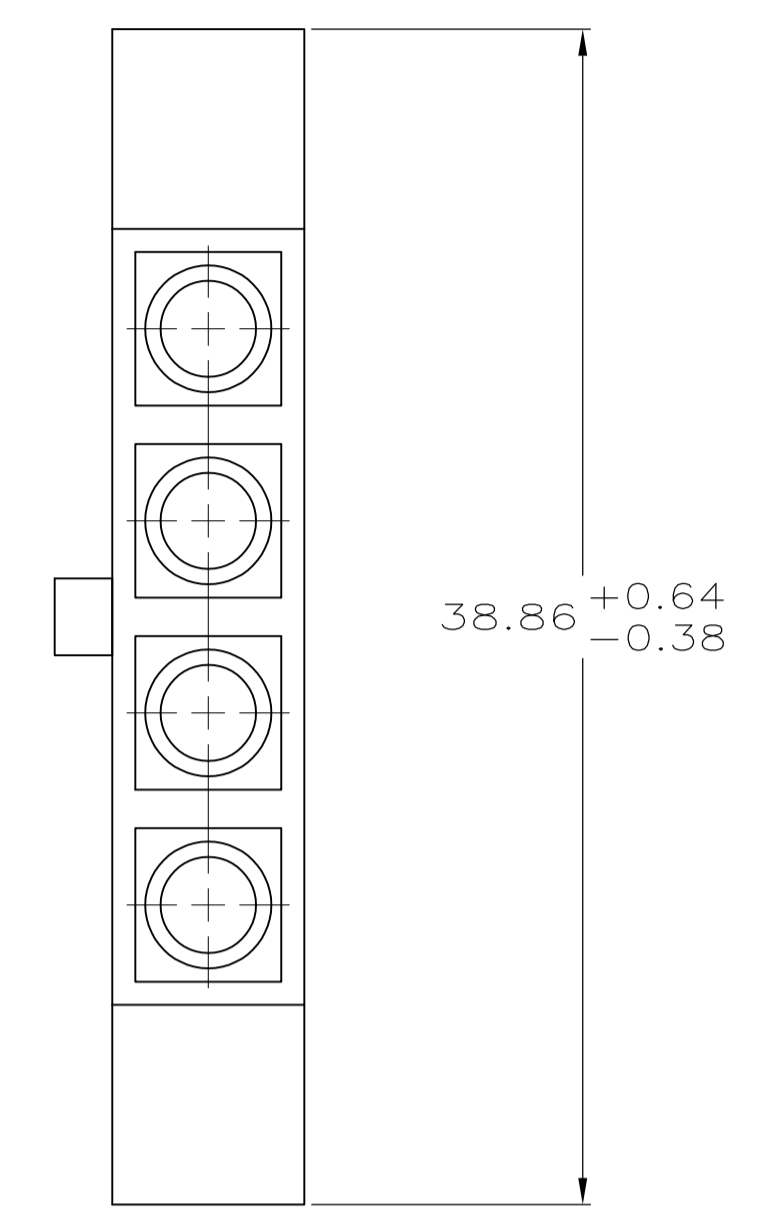
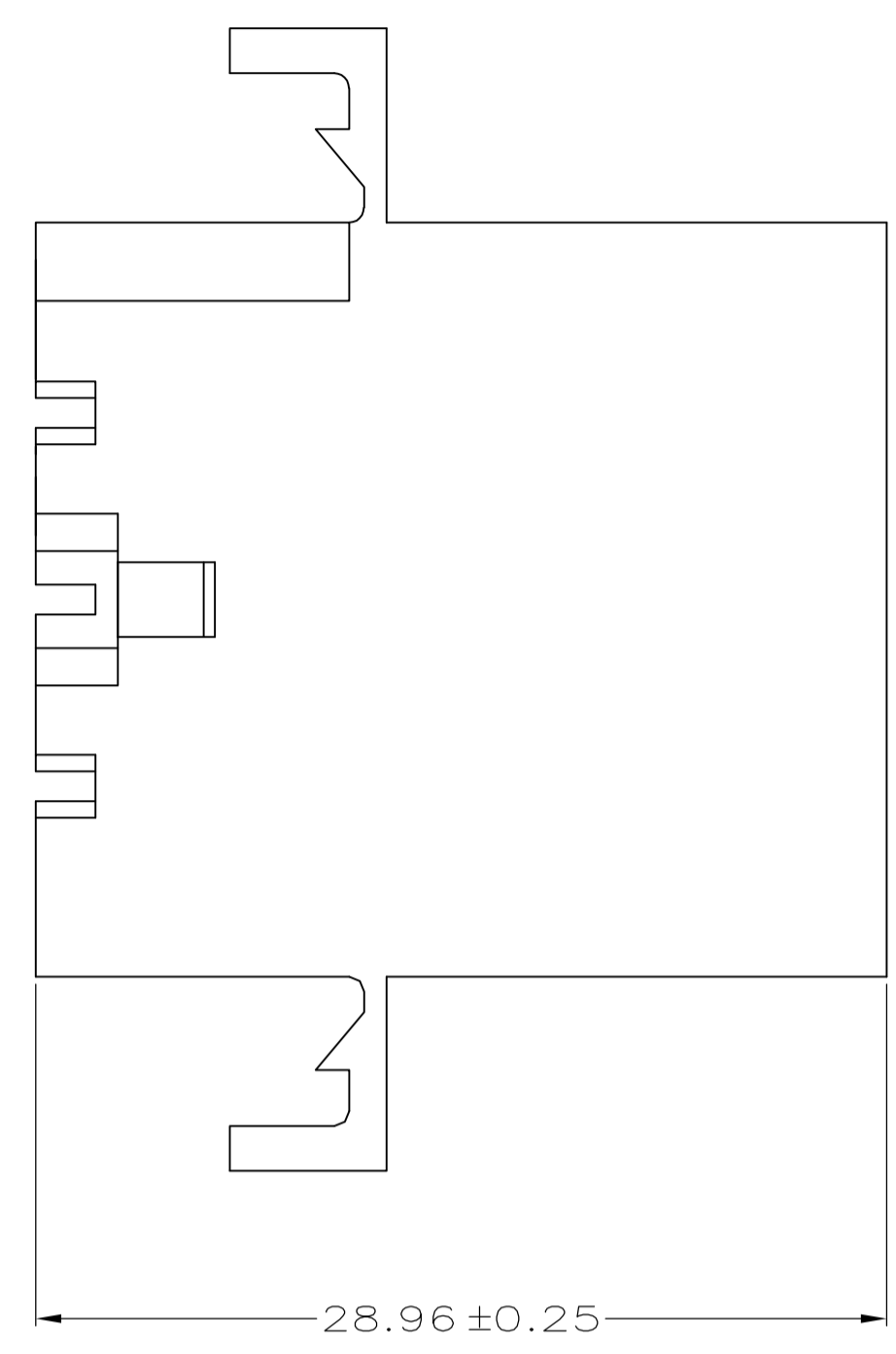
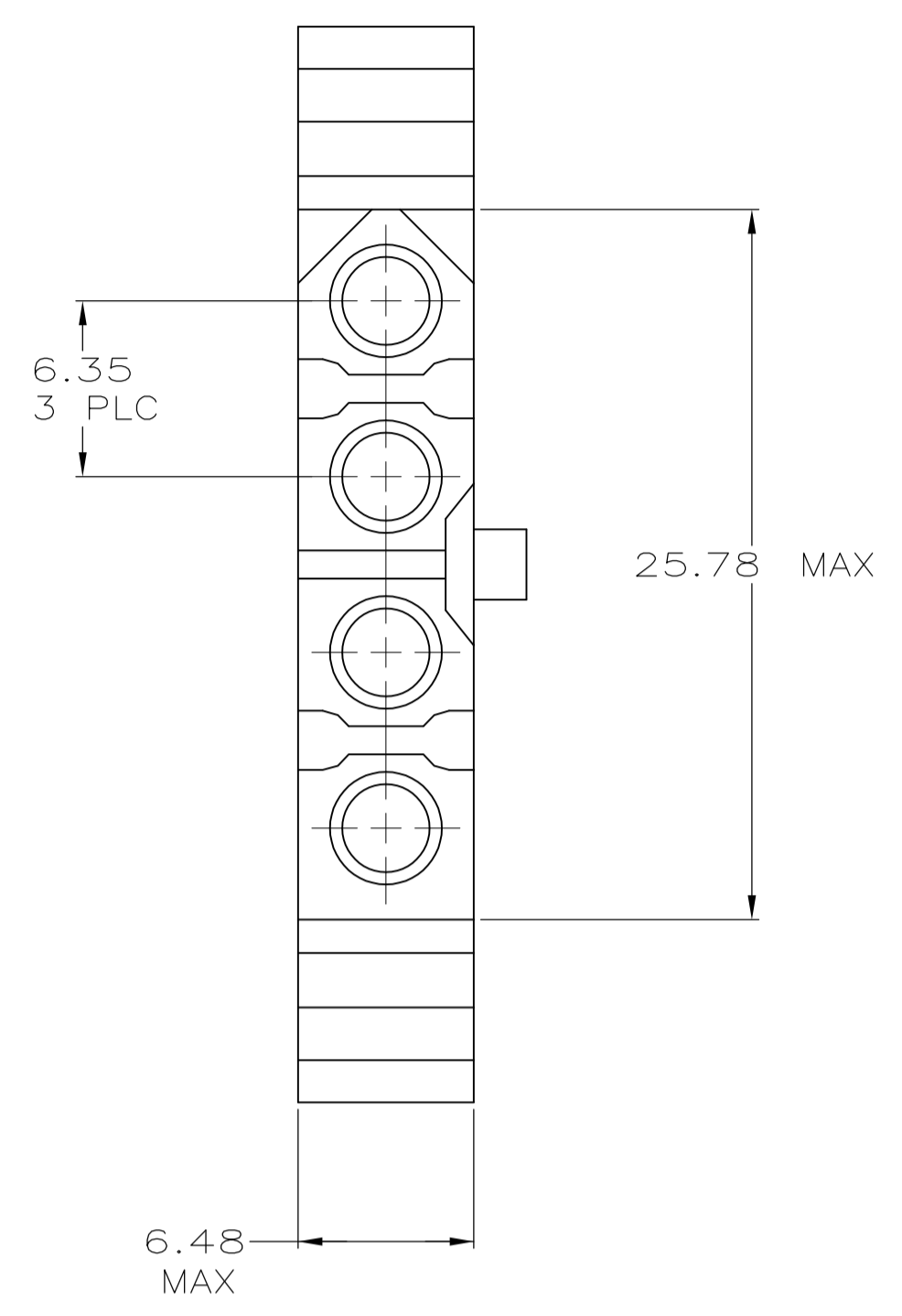
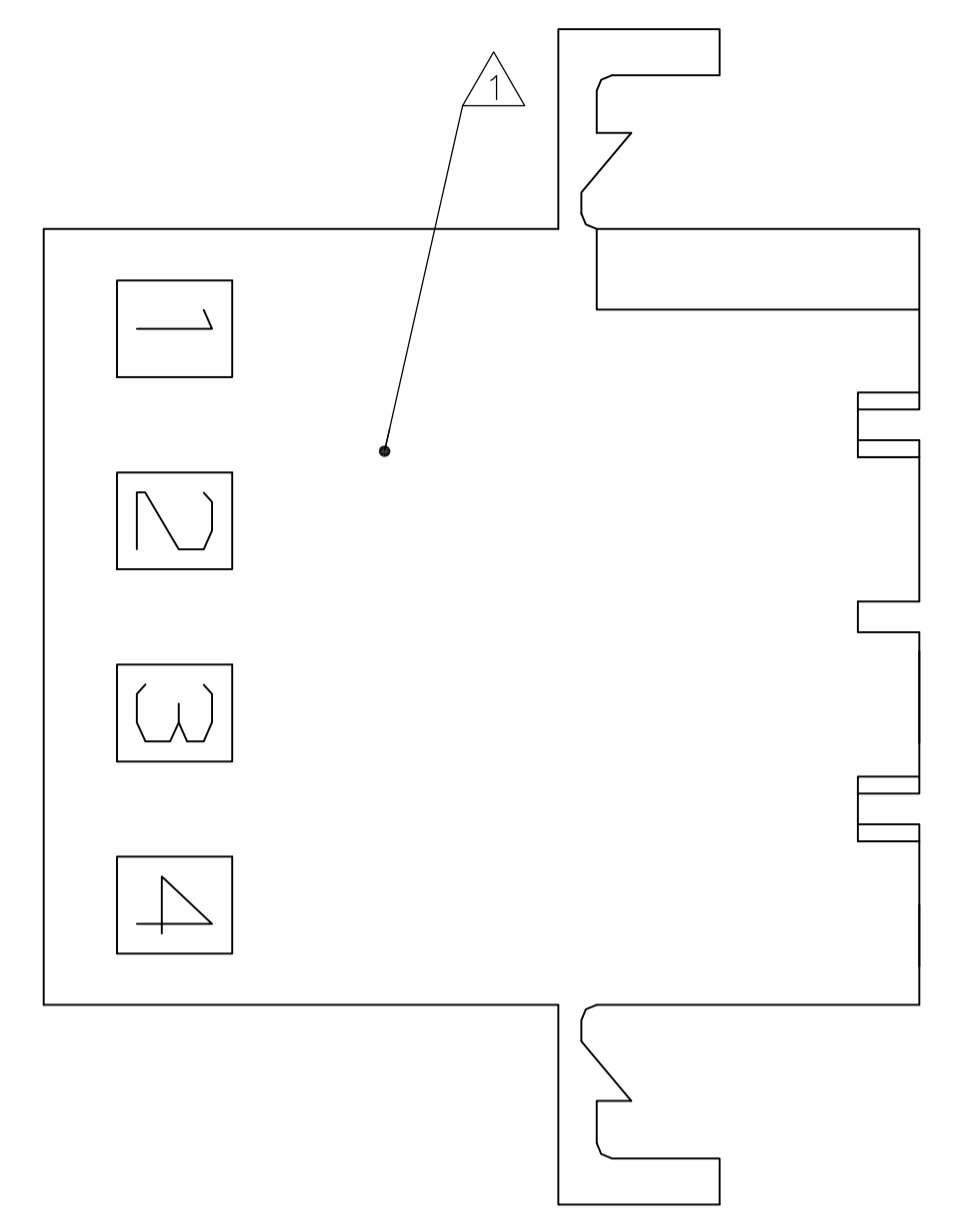
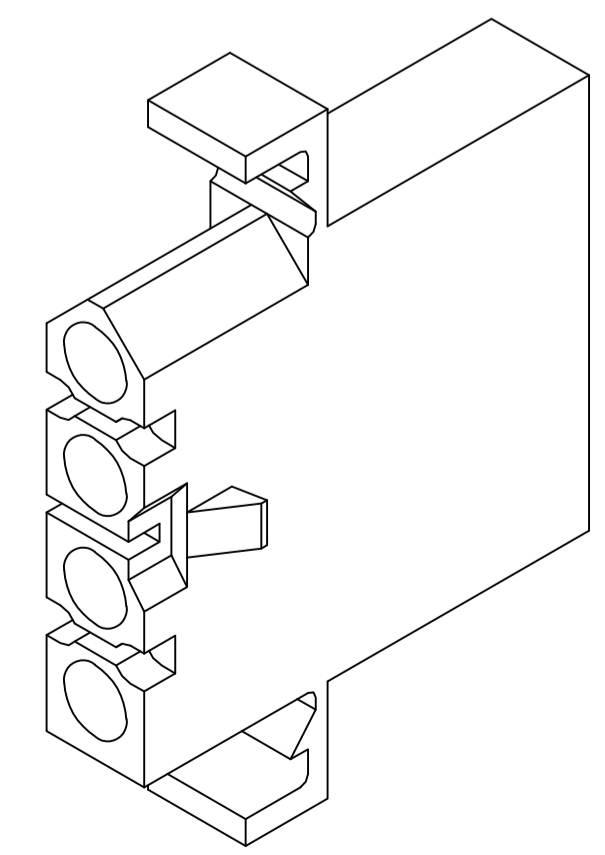


AMP LOGO LOCATED THIS SURFACE.



RECOMMENDED CUT OUT FOR 1.58 MAX THICK PANEL



3-DIMENSIONAL MODEL NTS

6.35	.250	38.86	1.530
1.58	.062	29.67	1.168
0.64	.025	28.96	1.140
0.38	.015	25.78	1.015
0.25	.010	7.87	.310
0.13	.005	6.48	.255
MM	IN	MM	IN

CONVERSION TABLE

770329-1  
PART NUMBER

THIS DRAWING IS A CONTROLLED DOCUMENT.		DIN K. WHITAKER 9-02-98	 TE Connectivity
		CHK R. SWING 9-02-98	
DIMENSIONS:	TOLERANCES UNLESS OTHERWISE SPECIFIED:	APVD K. COBLE 9-02-98	NAME
mm	0. PLC ± - 1. PLC ± - 2. PLC ± 0.13 3. PLC ± - 4. PLC ± - ANGLES ± -	PRODUCT SPEC 108-1037	RECEPTACLE, PANEL MOUNT, 4 CIRCUIT, .250 PIN AND SOCKET
MATERIAL NYLON,		FINISH -	APPLICATION SPEC 114-1013
		WEIGHT -	SIZE A1
		CUSTOMER DRAWING	SCALE 4:1 SHEET 1 OF 1 REV J1

单击下面可查看定价，库存，交付和生命周期等信息

[>>TE Connectivity\(泰科\)](#)