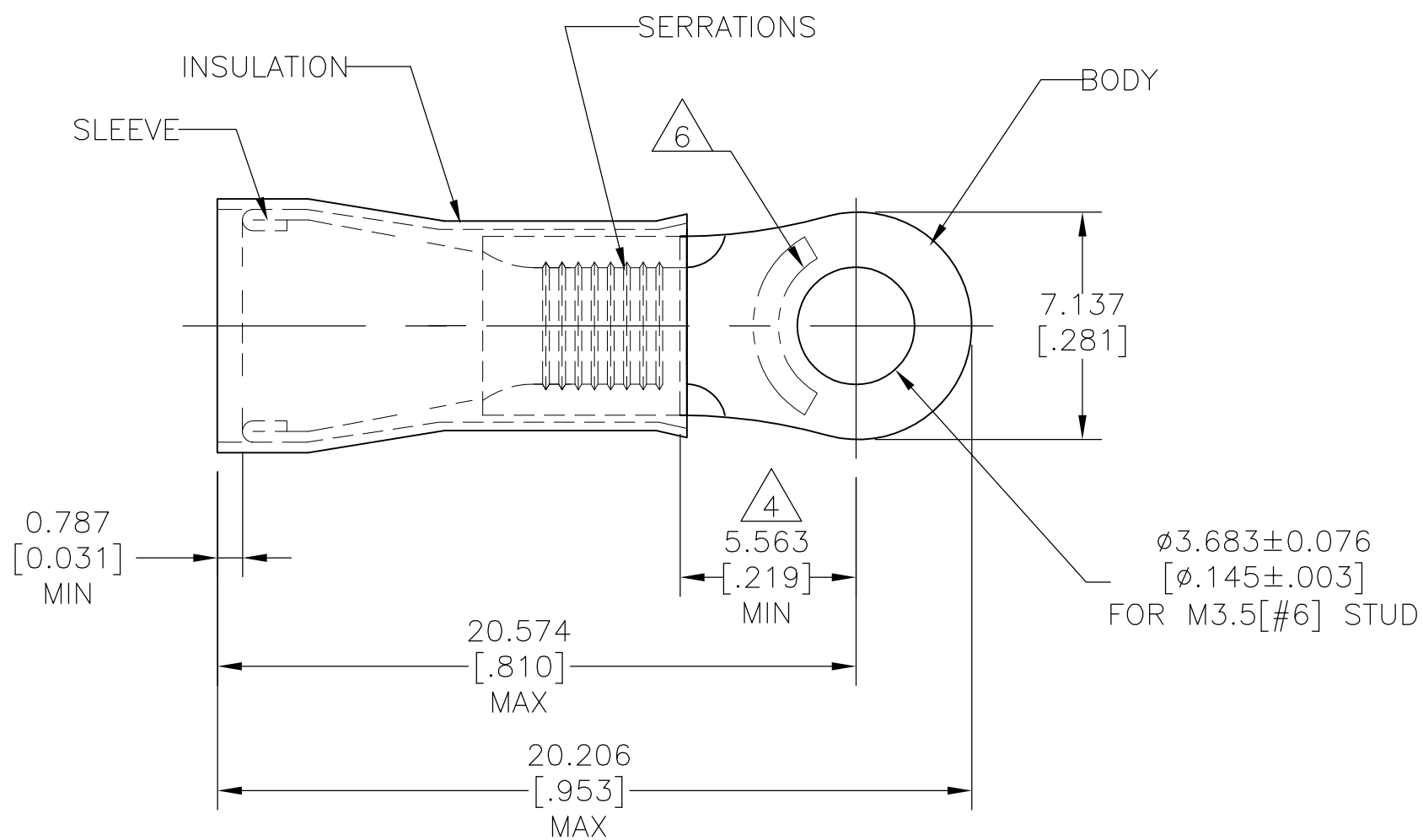


REVISIONS

P	LTR	DESCRIPTION	DATE	DWN	APVD
	E3	REVISED PER ECO-13-005147	27MAR13	KH	DR
	E4	REVISED PER ECO-17-007400	23NO2017	RS	DR



- 1 WIRE INSUL $\phi 3.810-5.842[\phi .150-.230]$
- 2 MATERIAL: BODY - CU PER ASTM B152
SLEEVE - CU PER ASTM B152
INSULATION - NYLON ASTM D4066, TYPE 1
- 3 FINISH: BODY & SLEEVE: TIN PER ASTM B-545
INSULATION - COLOR: YELLOW
- 4 APPLIES FROM THE EDGE OF METAL BARREL TO THE CENTER OF THE STUD HOLE.
- 5 BODY MATERIAL THICKNESS: $0.991 \pm 0.051[.039 \pm .002]$
- 6 STAMP AMP 12-10* APPROX AS SHOWN.

AMP WIRE RANGE	Listed FILE E13288	LR7189 Certified
12-10 AWG SOLID OR STRANDED	12-10 AWG SOLID OR STRANDED	12-10 AWG SOLID OR STRANDED

2000	ON TAPE	2-320634-1
500	LOOSE PIECE	320634
QTY	PACKAGE TYPE	PART NO

MAX RECOMMENDED OPERATING TEMPERATURE: 105°C [221°F] VOLTAGE RATING: 300 V MAX CIRCULAR MIL AREA: 2.62-6.64mm ² [5,180-13,100] SOLID OR STRANDED	THIS DRAWING IS A CONTROLLED DOCUMENT.		DWN jr_ruth 12JUN09 CHK TOM MICHIELUTTI 12JUN09 APVD TOM MICHIELUTTI 12JUN09	TE Connectivity NAME: TERMINAL, PIDG, RING TONGUE, WIRE SIZE: 12-10		
	DIMENSIONS: mm [INCHES]	TOLERANCES UNLESS OTHERWISE SPECIFIED: 0 PLC ± - 1 PLC ± - 2 PLC ± - 3 PLC ± 0.127[.005] 4 PLC ± - ANGLES ± 5°	PRODUCT SPEC UL 486 A-B APPLICATION SPEC 114-2157 WEIGHT -			
	MATERIAL	FINISH	CUSTOMER DRAWING			SCALE 5:1 SHEET 1 OF 1 REV E4

单击下面可查看定价，库存，交付和生命周期等信息

[>>TE Connectivity\(泰科\)](#)