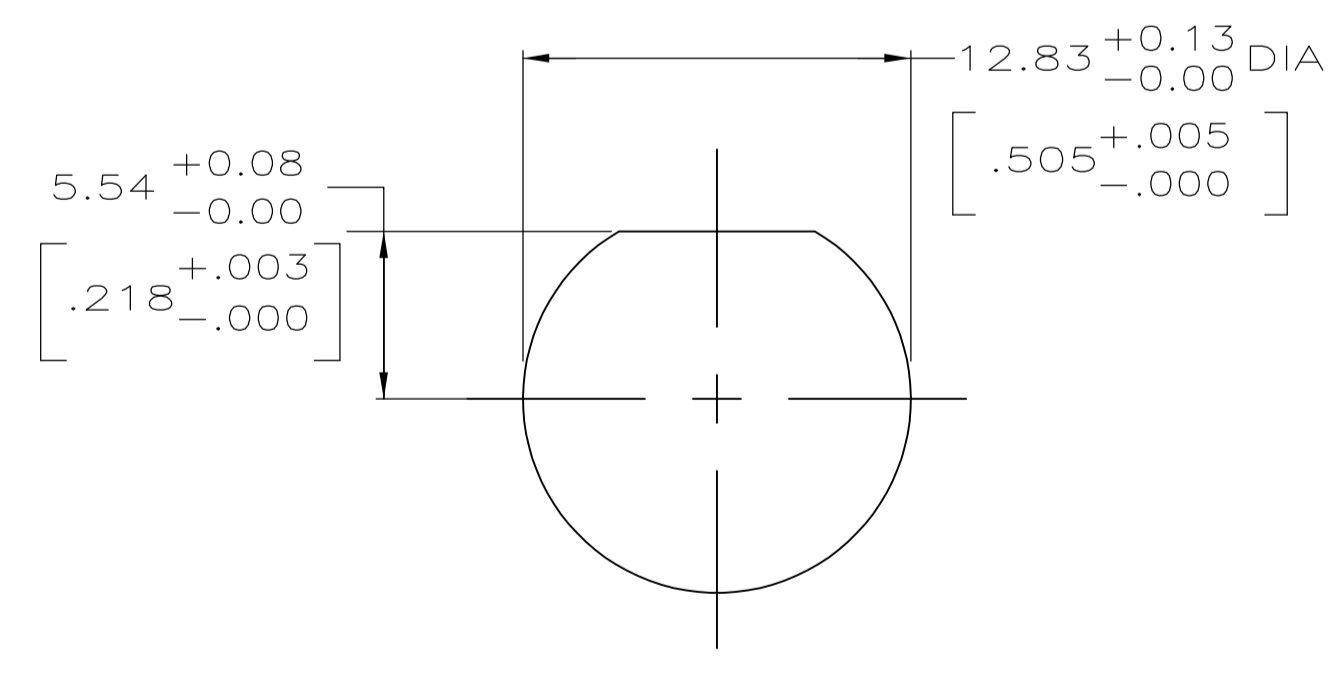
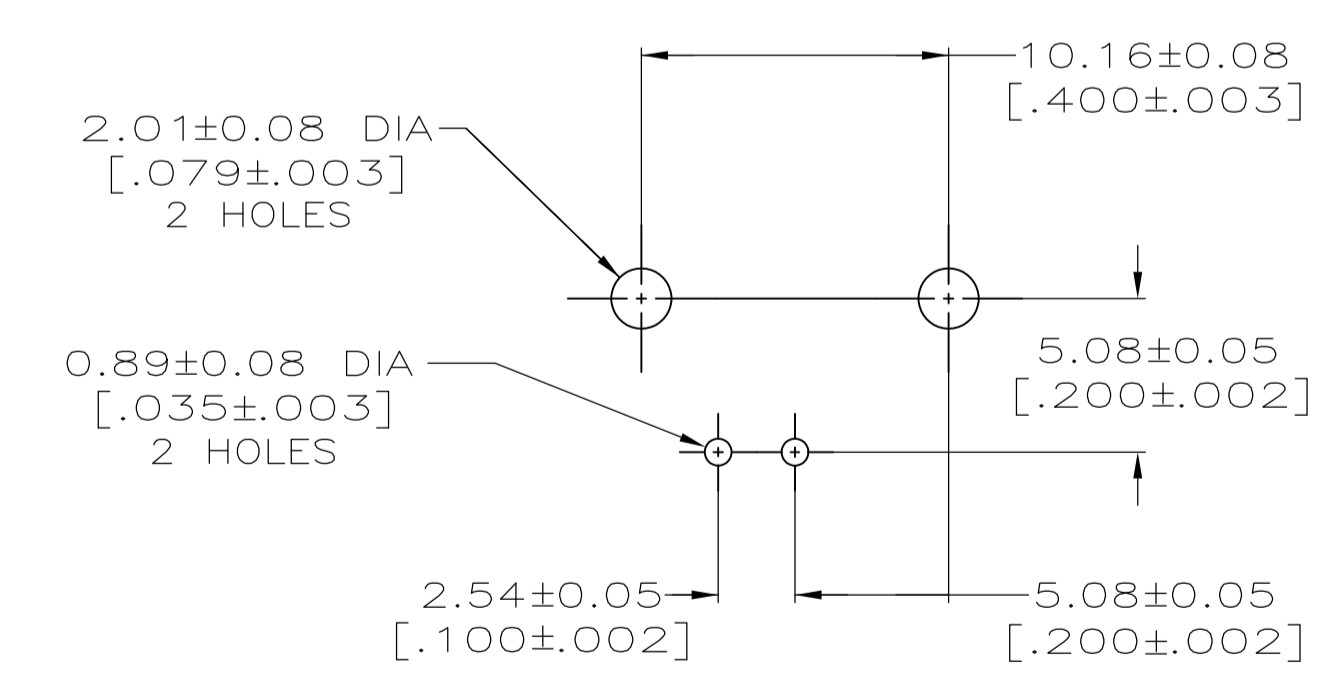


- 1 ZINC PER QQ-Z-363.
- 2 POLYMETHYLPENTENE PER ASTM-D-1238.
- 3 PHOSPHOR BRONZE PER QQ-B-750.
- 4 BRASS PER ASTM-B-453.
- 5 BRASS PER ASTM-B-16.
- 6 NICKEL PLATE PER QQ-N-290, 3.81 μm [.000150] MINIMUM THICK.
- 7 TIN PLATE PER ASTM-B-545, 3.81 μm [.000150] MINIMUM THICK.
- 8 GOLD PLATE PER MIL-G-45204, 1.27 μm [.000050] MINIMUM THICK.
- 9 GOLD PLATE PER MIL-G-45204, 0.76 μm [.000030] MINIMUM THICK.
- 10. SEE INSTRUCTION SHEET 408-2769.



RECOMMENDED PANEL CUTOUT



PCB CONFIGURATION

| | |
|----------------|-------------|
| | 5413879-2 |
| | 5413879-1 |
| CONTACT FINISH | PART NUMBER |

| | | | | | |
|--|--|--|--|-------------------------------|--|
| THIS DRAWING IS A CONTROLLED DOCUMENT. | | DIN A FERNANDEZ-DOCK5 22APR2005 | | 5413879-2 | |
| DIMENSIONS: mm [INCHES] | | TOLERANCES UNLESS OTHERWISE SPECIFIED: | | CAGE CODE DRAWING NO | |
| 0 PLC ± - | | 1 PLC ± - | | A1 00779 5413879 | |
| 1 PLC ± - | | 2 PLC ± 0.20 [.008] | | RESTRICTED TO | |
| 2 PLC ± - | | 3 PLC ± - | | SCALE 4:1 SHEET 1 OF 1 REV A1 | |
| 3 PLC ± - | | 4 PLC ± - | | CUSTOMER DRAWING | |
| 4 PLC ± - | | ANGLES ± - | | | |
| MATERIAL SEE NOTES 1-5 | | FINISH SEE NOTES 6-9 | | | |

单击下面可查看定价，库存，交付和生命周期等信息

[>>TE Connectivity\(泰科\)](#)