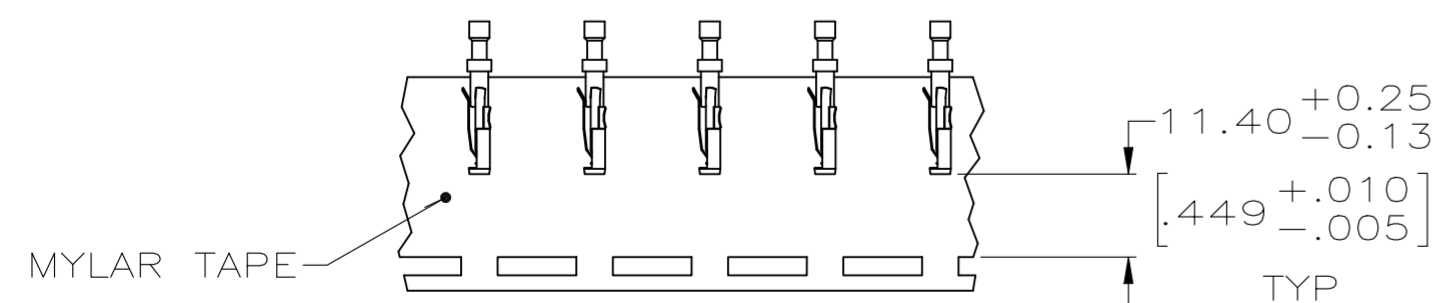
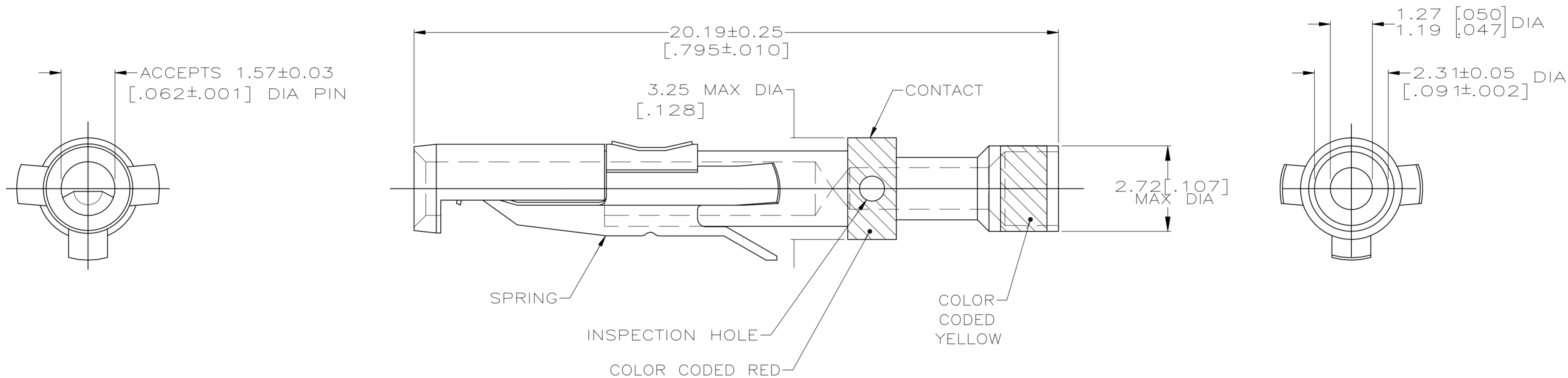


REVISIONS					
P	LTR	DESCRIPTION	DATE	DWN	APVD
	AG	ECO-21-006909	17SEP2021	RK	ZM

WHEN ORDERING CONTACT ASSEMBLY ON TAPE, ORDER BY THE TAPE NUMBER PLUS THE PACKAGING CODE AS FOLLOWS:

1. FOR USE WITH AMP TAPETRONIC, PNEUMATIC TOOL-  
A. 1000 PARTS TO A BOX ADD PACKAGING CODE: 1MBOX
2. FOR USE WITH 4/8 INDENT STRIPPER CRIMPER-  
A. 1000 PARTS TO A REEL ADD PACKAGING CODE: 1MREEL  
B. 5000 PARTS TO A REEL ADD PACKAGING CODE: 5MREEL



TAPE MTG DETAIL  
SCALE 1:1

OBSOLETE	SMALL PACK KIT	1-201328-5 1-201328-4
OBSOLETE	TAPE MTG SEE DETAIL	201328-9
	BULK PACKAGING	201328-1 PART NO

THIS DRAWING IS A CONTROLLED DOCUMENT.		DWN	5-9-91		
		CHK	5-14-91		
		APVD	5-14-91		
		PRODUCT SPEC			
DIMENSIONS: mm [INCHES]		TOLERANCES UNLESS OTHERWISE SPECIFIED:		NAME	
		0 PLC ± - 1 PLC ± - 2 PLC ± - 3 PLC ± - 4 PLC ± - ANGLES ± -		SOCKET CONTACT ASSEMBLY, TYPE II	
MATERIAL		FINISH		SIZE CAGE CODE DRAWING NO RESTRICTED TO	
				A2 00779 C=201328 -	
CUSTOMER DRAWING				SCALE	10:1 SHEET 1 of 1 REV AG

单击下面可查看定价，库存，交付和生命周期等信息

[>>TE Connectivity\(泰科\)](#)