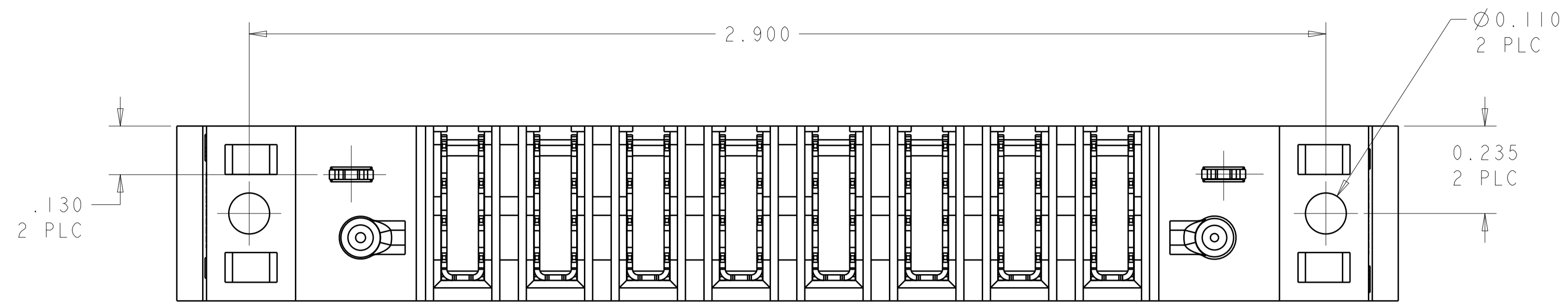
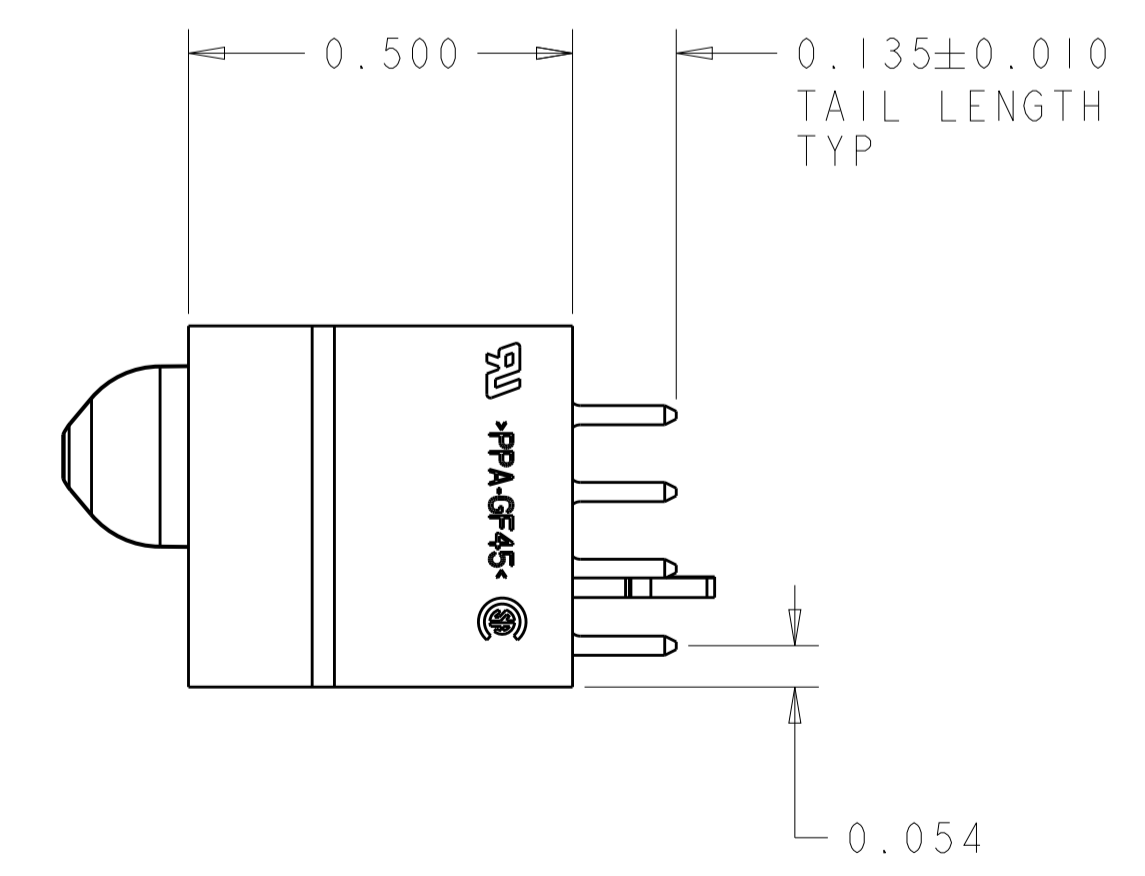
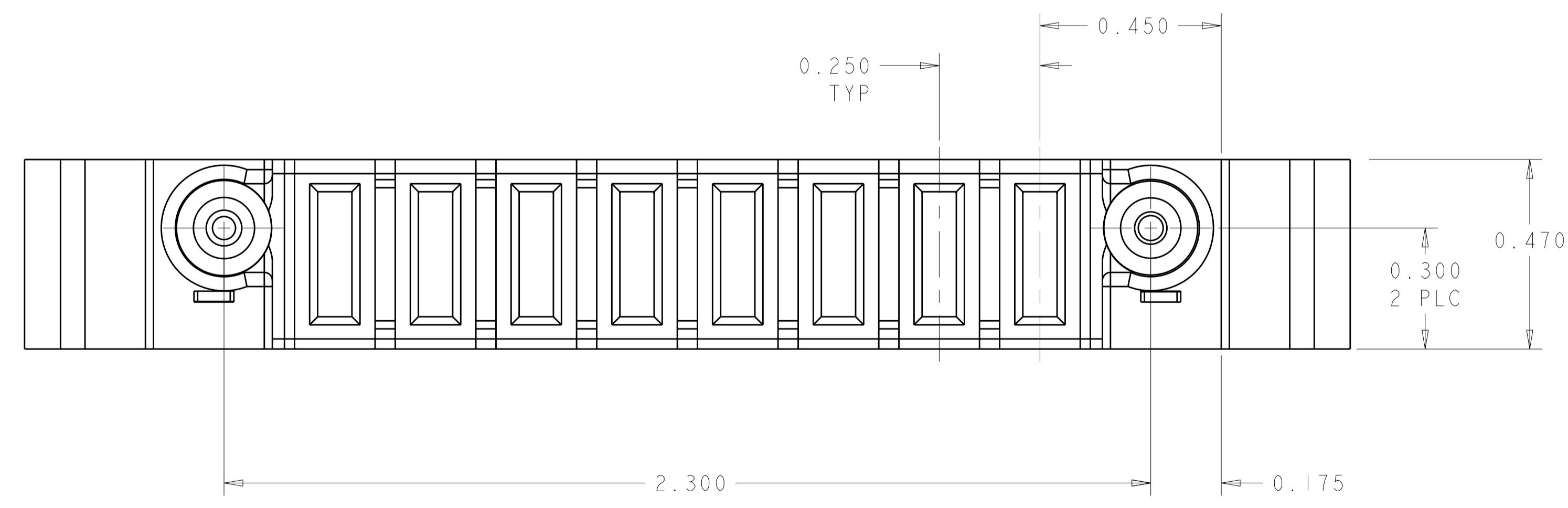
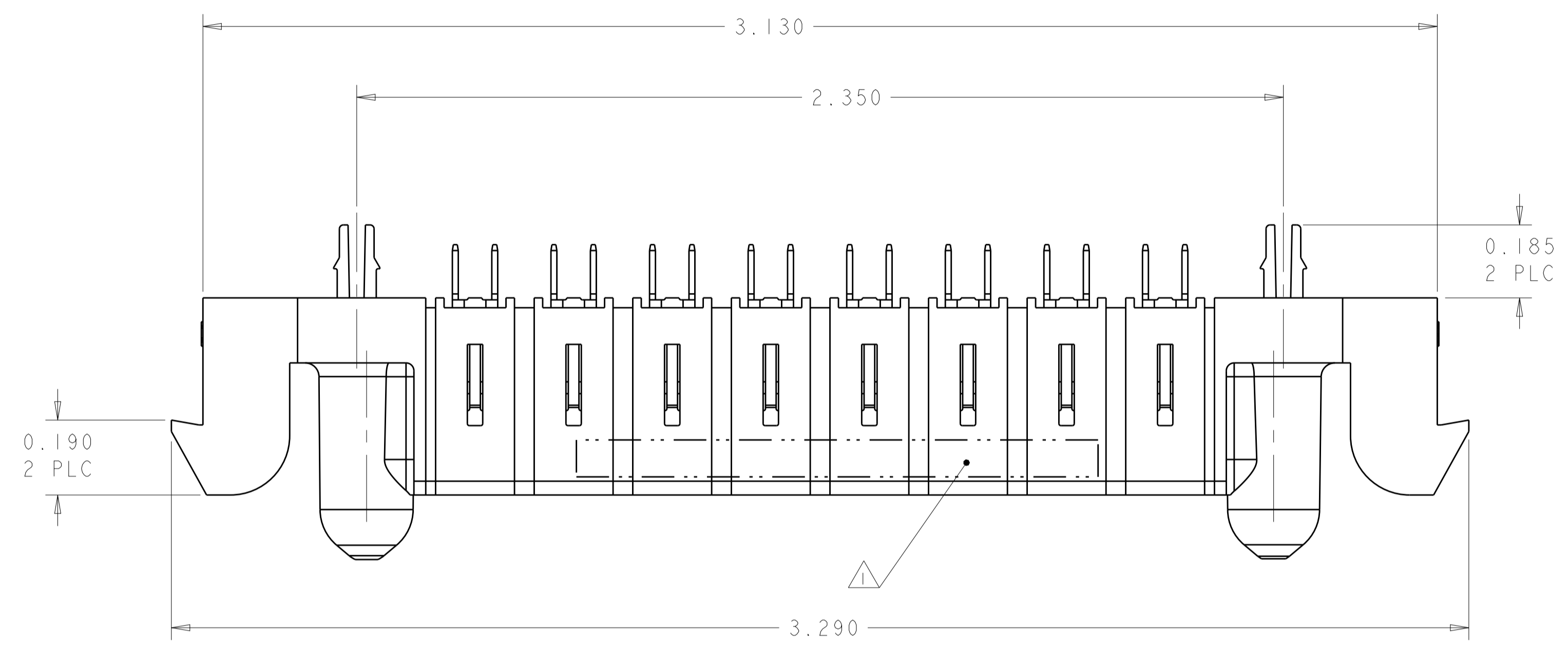


LOC	DIST	REVISIONS			
P	LTN	DESCRIPTION	DATE	DMN	APVD
GP	00	A1	ADVISED	15FEB2013	ML SZ



- 1 "AMP", PART NUMBER AND DATE CODE TO BE MARKED IN AREA SHOWN
- 2 MATERIAL: HOUSING - GLASS FILLED HIGH TEMP THERMO PLASTIC, UL94 V-0
POWER CONTACT - HIGH CONDUCTIVITY COPPER ALLOY
- 3 CONTACT PLATING: NOBLE METAL PLATING ON CONTACT FUNCTIONAL AREA OF POWER AND SIGNAL CONTACTS
- 4 MECHANICAL CONNECTOR KEEP OUT ZONE. WHEN PLACING CONNECTORS END TO END, ALLOW ADDITIONAL 0.5 CLEARANCE BETWEEN CONNECTORS FOR LATCH ACTIVATION.
- 5 DATUM AND BASIC DIMENSIONS ESTABLISHED BY CUSTOMER
- 6 PCB - ALL HOLE DIMENSIONS ARE FINISHED HOLE SIZES
- 7 PCB - .0453 ±.0010 DRILLED HOLES, PLATED WITH .0003 MIN SN OVER .001 TO .003 CU PLATING TO ACHIEVE A .040 DIA HOLE
- 8. RECOMMEND USING TWO CUSTOMER SUPPLIED SCREWS TO SECURE TO BOARD: 5-20 X .38 LG, SELF-TAPPING, HI-LO TYPE, CROSS RECESSED PAN HD. OR TYCO ENGINEERING APPROVED EQUIVALENT.

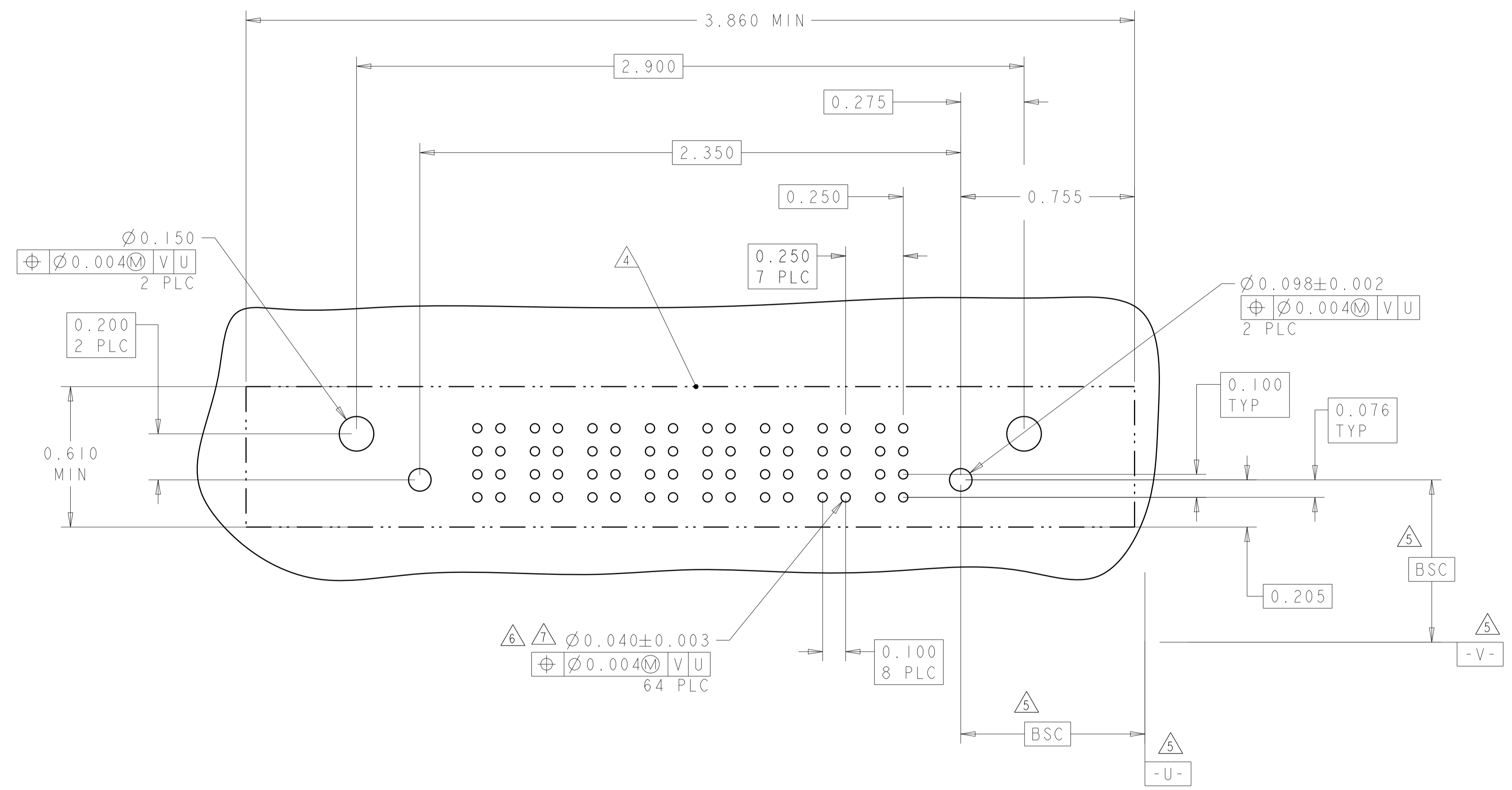


8P	6450159-1
DESCRIPTION	PART NUMBER

THIS DRAWING IS A CONTROLLED DOCUMENT.		DMN: R.GRZYBOWSKI 21FEB05	TE Connectivity	
DIMENSIONS: INCHES		CHK: M.PERCHEKKE 21FEB05	APVD: M.PERCHEKKE	
TOLERANCES UNLESS OTHERWISE SPECIFIED:		PRODUCT SPEC	NAME: VERTICAL RECEPTACLE ASSEMBLY WITH LATCHES GUIDES, MULTI-BEAM XL	
0 PLC ±.01		APPLICATION SPEC	SIZE: CAGE CODE DRAWING NO. RESTRICTED TO	
1 PLC ±.01		108-1973	A1 00779 C=6450159	
2 PLC ±.005		114-13038	SCALE: 4:1 SHEET 1 OF 2 REV: A1	
3 PLC ±.0020		WEIGHT: -	Customer Drawing	
ANGLES ±.020		FINISH: -		

LOC	DIST	REVISIONS			
P	LTN	DESCRIPTION	DATE	DMN	APVD
-	-	SEE SHEET 1	-	-	-

PART NUMBER	ROWS		POWER								
			P8	P7	P6	P5	P4	P3	P2	P1	
6450159-1	D C B A	○ HD	VM	VM	VM	VM	VM	VM	VM	VM	○ HD
8P											



VM	STD
VA	MFBL
CODE	PRESS FIT
POWER CONTACT	

DIMENSIONS:		TOLERANCES UNLESS OTHERWISE SPECIFIED:		MATERIAL:		FINISH:						
INCHES	0 PLC	±	1 PLC	±.01	2 PLC	±.005	3 PLC	±.0020	4 PLC	±.0020	ANGLES	±.2°

THIS DRAWING IS A CONTROLLED DOCUMENT.		DWG: R.GRZYBOWSKI 21FEB05		CHK: M.PERCHEKKE 21FEB05		APVD: M.PERCHEKKE	
NAME: VERTICAL RECEPTACLE ASSEMBLY WITH LATCHES GUIDES, MULTI-BEAM XL		PRODUCT SPEC: 108-1973		APPLICATION SPEC: 114-13038		WEIGHT: -	
SIZE: A1		CAGE CODE: 00779		DRAWING NO: 6450159		RESTRICTED TO: -	
MATERIAL: -		FINISH: -		WEIGHT: -		SCALE: 4:1	
Customer Drawing		SHEET 2 OF 2		REV: A1		DATE: -	

单击下面可查看定价，库存，交付和生命周期等信息

[>>TE Connectivity\(泰科\)](#)