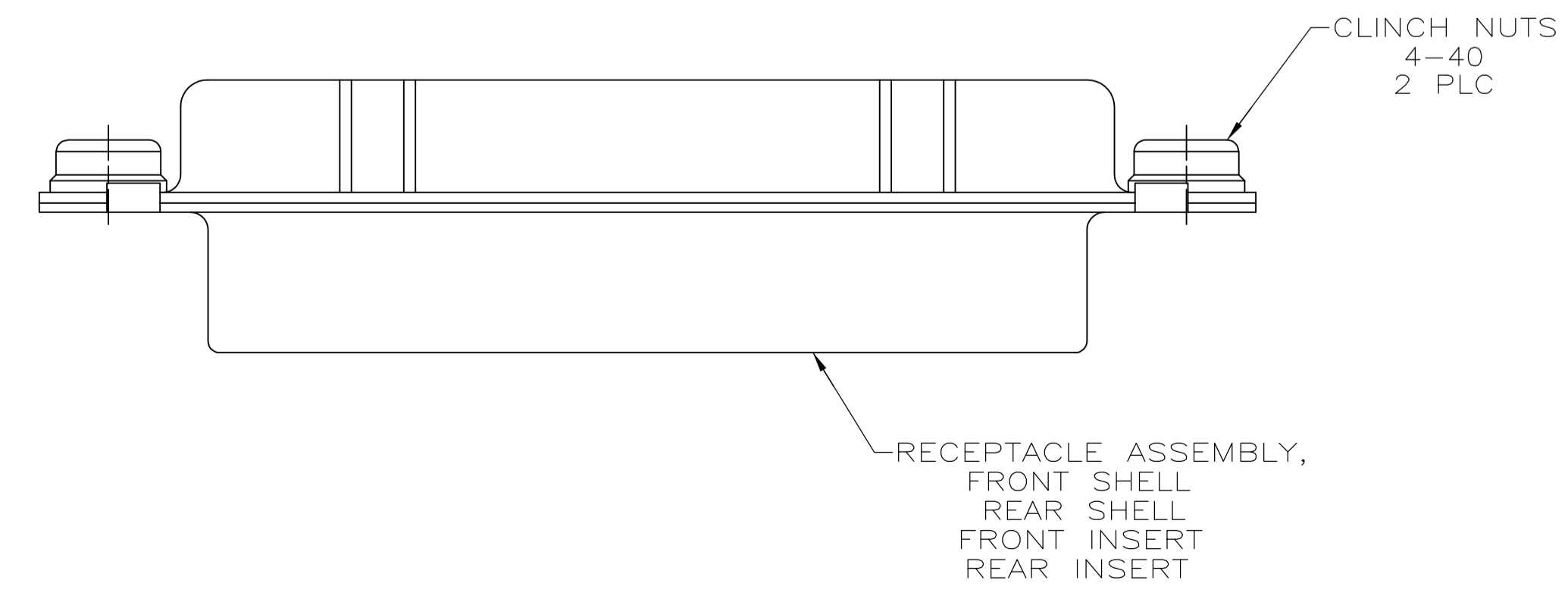
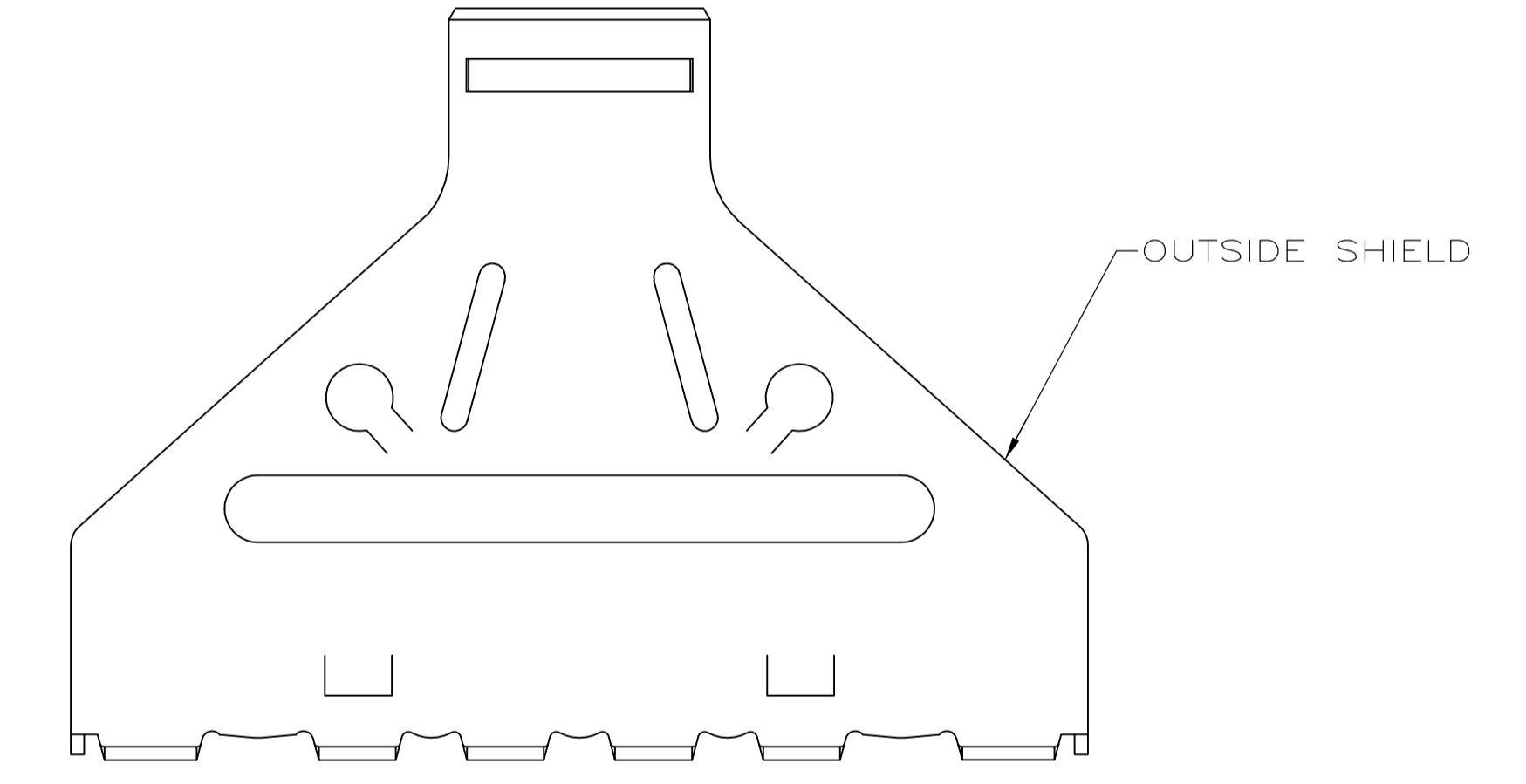
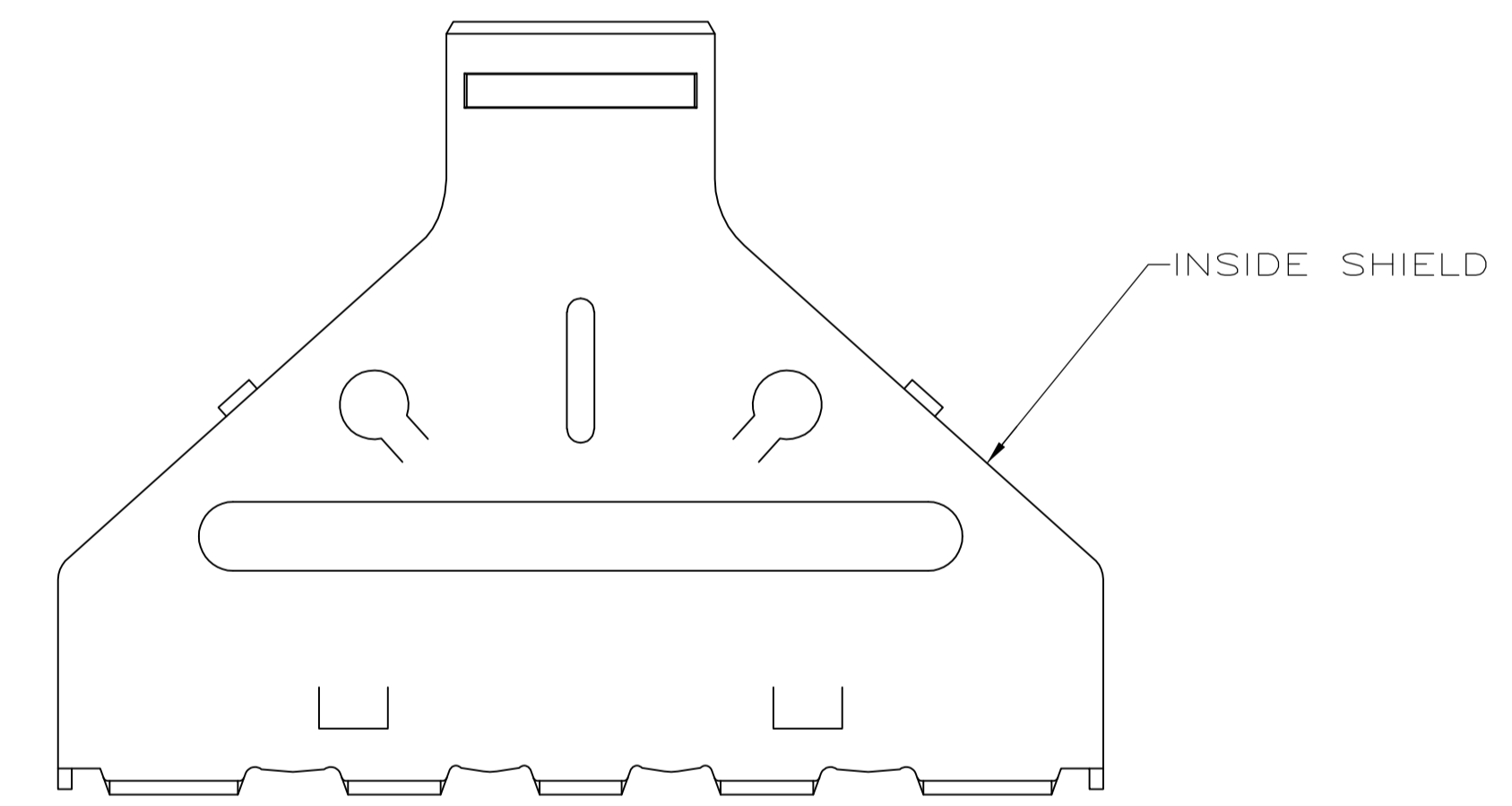
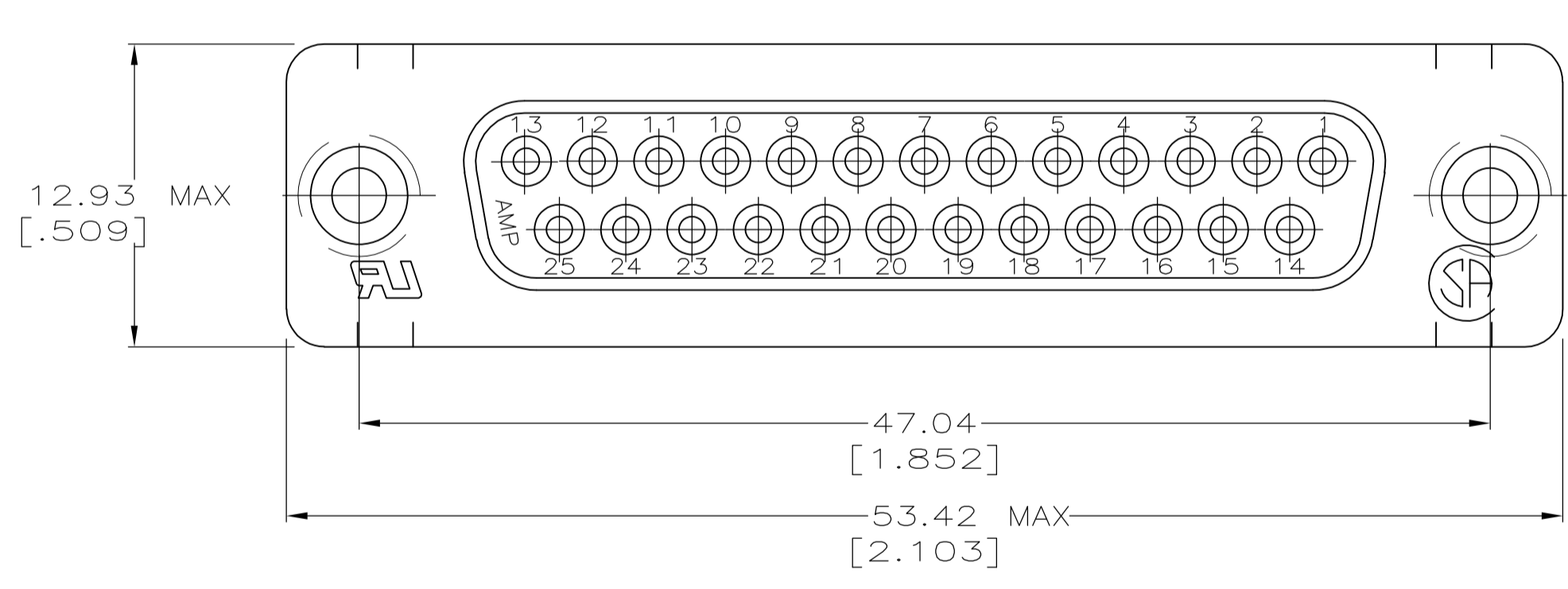


- 1 RECEPTACLE ACCEPTS SIZE 20 SOCKET CONTACTS. CONTACTS MUST BE ORDERED SEPARATELY. ASSEMBLY MATES WITH ANY 25 POSN PLUG IN AMPLIMITE® SERIES.
- 2 GLASS-FILLED PBT OR GLASS-FILLED NYLON, UL94V-0 RATED. COLOR: BLACK
- 3 CARBON STEEL PER ASTM A 109.
- 4 5.08µm [.000200] MIN TIN OVER 2.54µm [.000100] MIN COPPER.
- 5 ZINC PLATED.
- 6 EACH PART INDIVIDUALLY BULK PACKED.



1658662-1  
PART NUMBER

THIS DRAWING IS A CONTROLLED DOCUMENT.		DIN J. REITZEL 31JUL03	STE TE Connectivity	
DIMENSIONS: mm [INCHES]		CHK S. BOLASH 31JUL03	NAME M. WALMSLEY 31JUL03	
TOLERANCES UNLESS OTHERWISE SPECIFIED:		PRODUCT SPEC 108-40030		
0 PLC ± -		APPLICATION SPEC 114-40030		
1 PLC ± -		SIZE A1		
2 PLC ± 0.13[.005]		CAGE CODE 00779		
3 PLC ± -		DRAWING NO 1658662		
4 PLC ± -		RESTRICTED TO CUSTOMER DRAWING		
ANGLES ± -		SCALE 2:1		
MATERIAL		WEIGHT		
INSERTS: Δ		SHELLS & SHIELDS: Δ		
SHELLS & SHIELDS: Δ		CLINCH NUTS: Δ		
CLINCH NUTS: Δ		SHEET 1 OF 1		

单击下面可查看定价，库存，交付和生命周期等信息

[>>TE Connectivity\(泰科\)](#)

[>>点击查看相关商品](#)