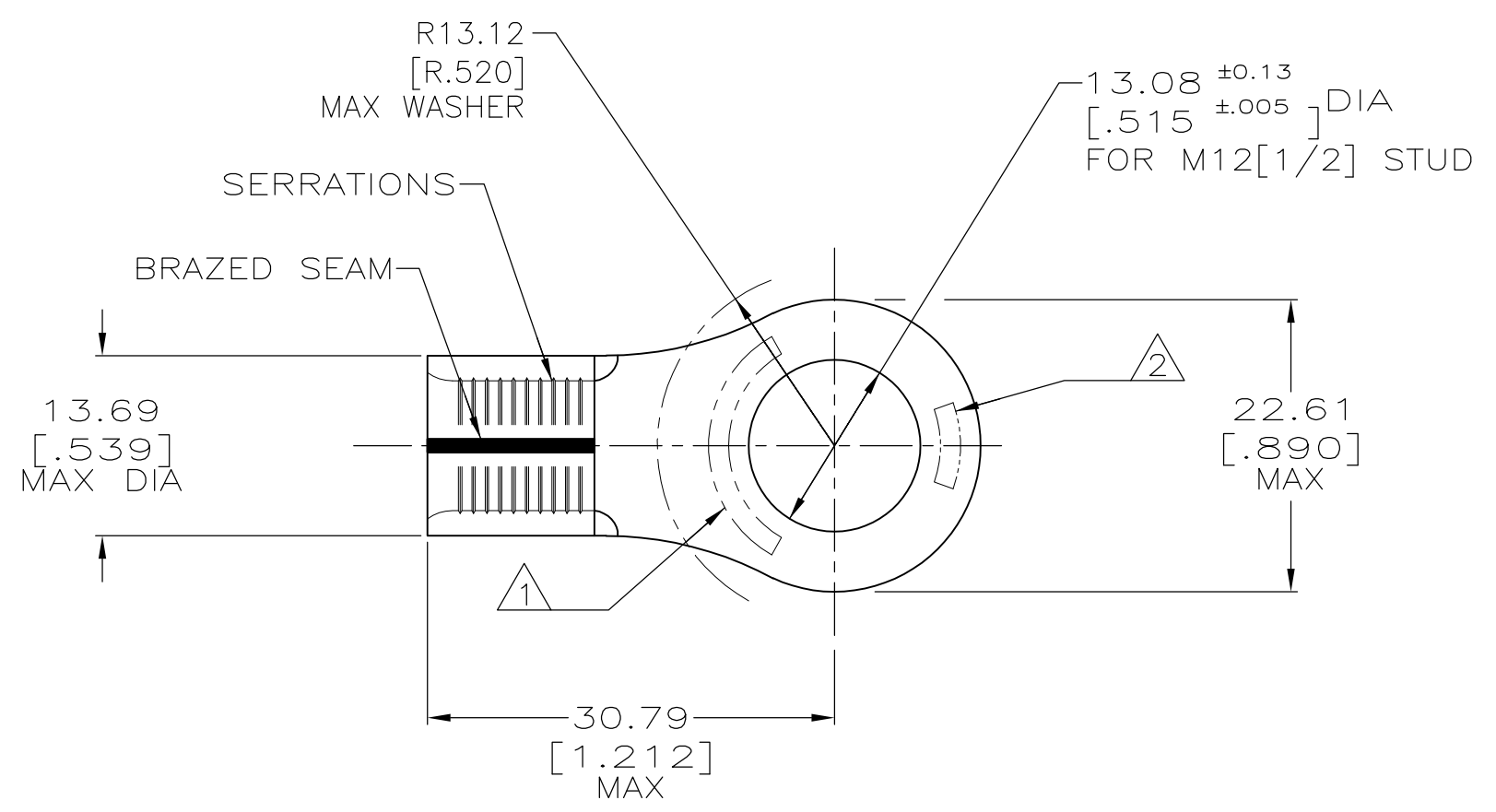


THIS DRAWING IS UNPUBLISHED. RELEASED FOR PUBLICATION  
 © COPYRIGHT - By - ALL RIGHTS RESERVED.

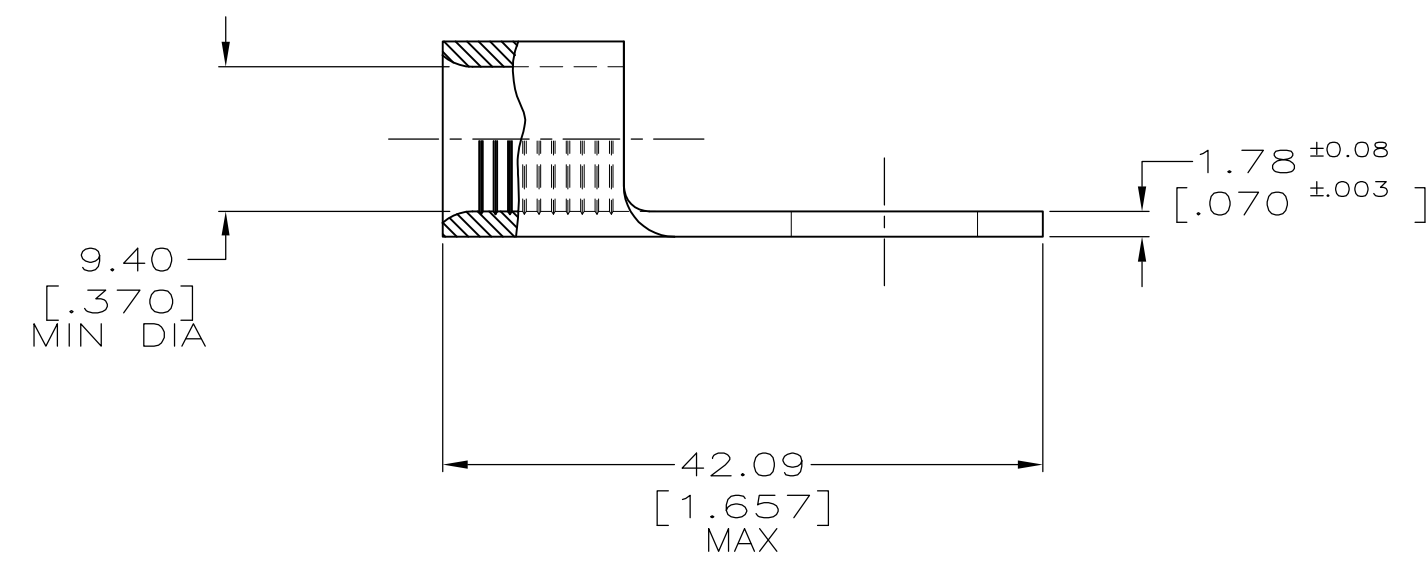
TE PART NUMBER	PACKAGE TYPE	QTY	
<del>8-35185-3</del>	LOOSE PIECE, BOX	<del>25</del>	OBSOLETE
<del>8-35185-5</del>	LOOSE PIECE, BAG	<del>10</del>	

LOC	DIST	REVISIONS			
P	LTR	DESCRIPTION	DATE	OWN	APVD
G	14	F1	REVISED PER ECO-15-006978	08JUN2015	NK MM

<b>AMP</b> WIRE RANGE	E13288 Listed
2 AWG SOLID OR STRANDED	2 AWG STRANDED
LR7189 Certified	MILITARY P/N AND CLASS
2 AWG SOLID OR STRANDED	NOT APPLICABLE



- STAMP AMP 2W\* APPROX AS SHOWN.
- STAMP 60-75 APPROX AS SHOWN.



<b>AMP INCORPORATED CUSTOMER SERVICE SYSTEMS</b>		MAX RECOMMENDED OPERATING TEMPERATURE: 170°C[338°F] MAX
FOR ADDITIONAL PRODUCT INFORMATION OR COPIES OF DRAWINGS AND TECHNICAL DOCUMENTS	PRODUCT INFORMATION CENTER 1-800-522-6752	VOLTAGE RATING: NOT APPLICABLE
FOR APPLICATION TOOLING INFORMATION	TOOLING ASSISTANCE CENTER 1-800-722-1111	CIRCULAR MIL AREA: 26.7-42.4mm <sup>2</sup> [52,600-83,700] CIR MILS SOLID OR STRANDED
FOR ORDER ENTRY	1-800-526-5142	

	35185
FINISH	PART NUMBER

THIS DRAWING IS A CONTROLLED DOCUMENT.		DWN DK SCHRUM 5/18/93	TE Connectivity	
DIMENSIONS: mm [INCHES]		CHK RD HEIM 1/27/94	NAME	
TOLERANCES UNLESS OTHERWISE SPECIFIED:		APVD RE ROSER 1/27/94	TERMINAL, RING TONGUE, SOLISTRAND™	
0 PLC ± -		PRODUCT SPEC	SIZE	CAGE CODE
1 PLC ± -		APPLICATION SPEC	A2	00779
2 PLC ± 0.20[.008]		WEIGHT	DRAWING NO	
3 PLC ± -		CUSTOMER DRAWING	G-35185	
4 PLC ± -		SCALE 2:1	SHEET 1 OF 1	REV F1
ANGLES ± ± -				
MATERIAL	FINISH			
COPPER ASTM B-152 ANNEALED	TIN PLATE 0.00254[.000100] MIN THK PER ASTM B545			

单击下面可查看定价，库存，交付和生命周期等信息

[>>TE Connectivity\(泰科\)](#)