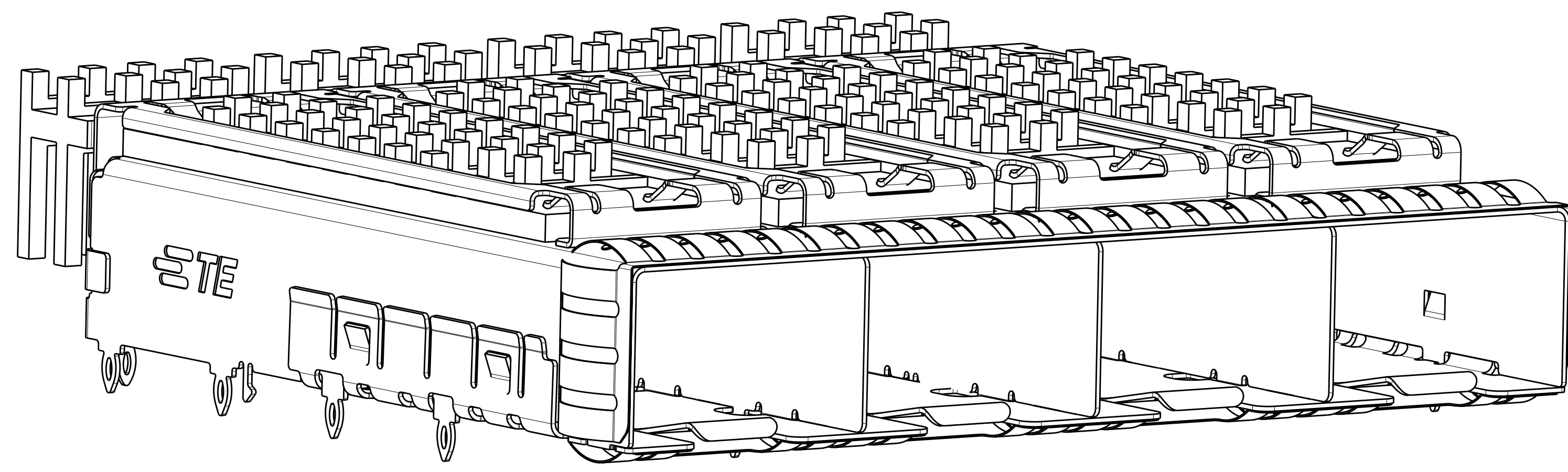
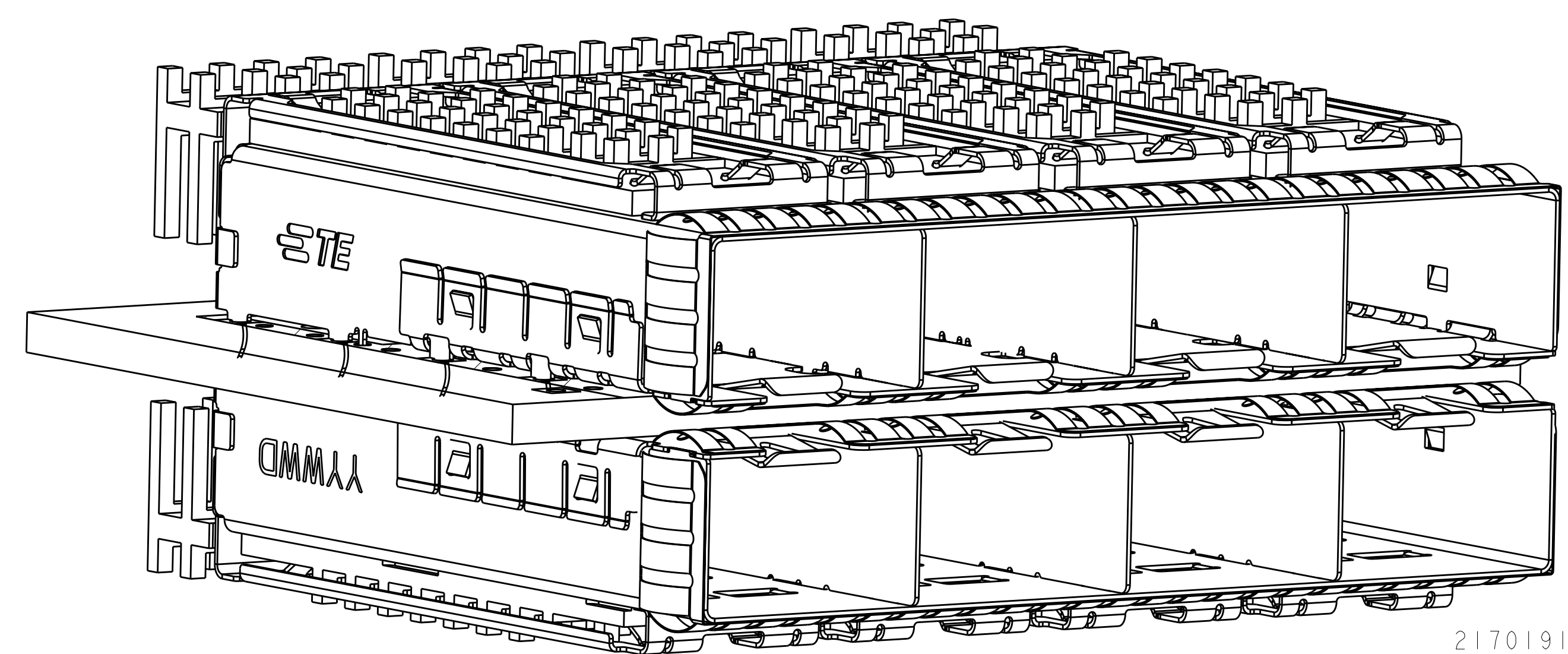
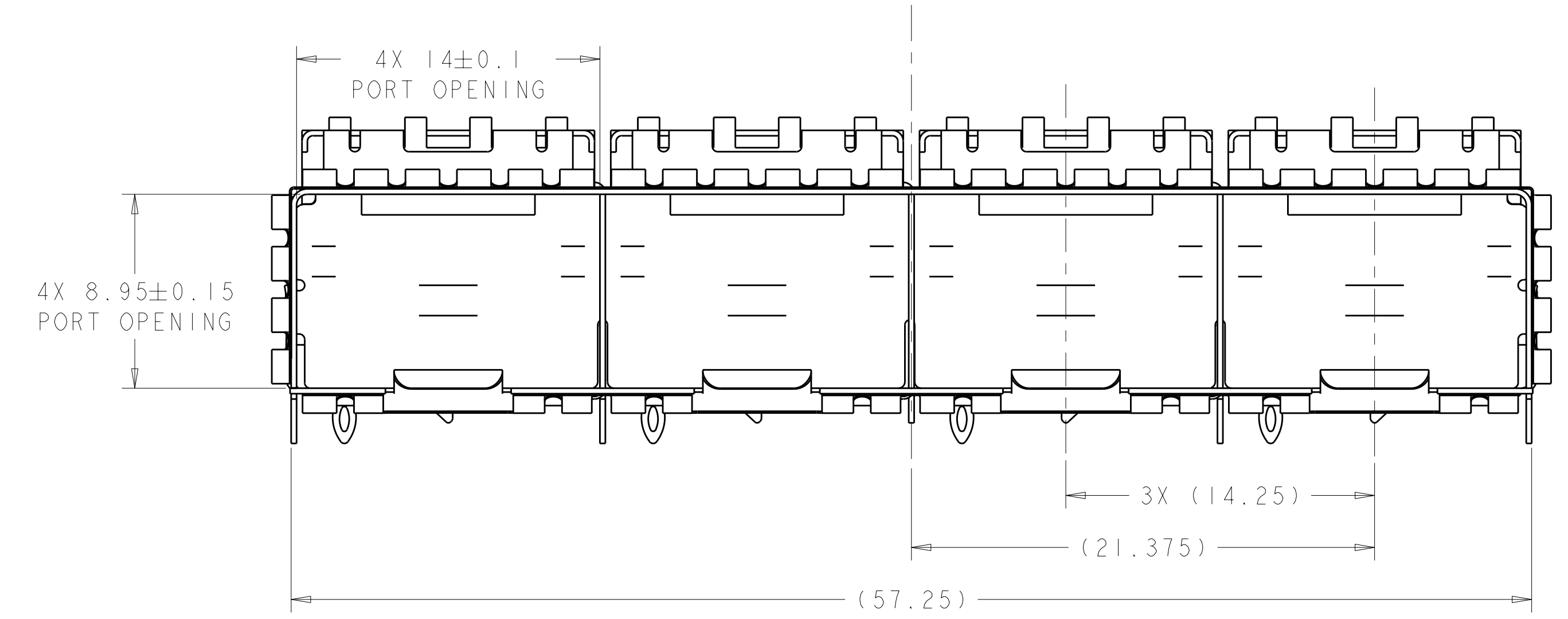
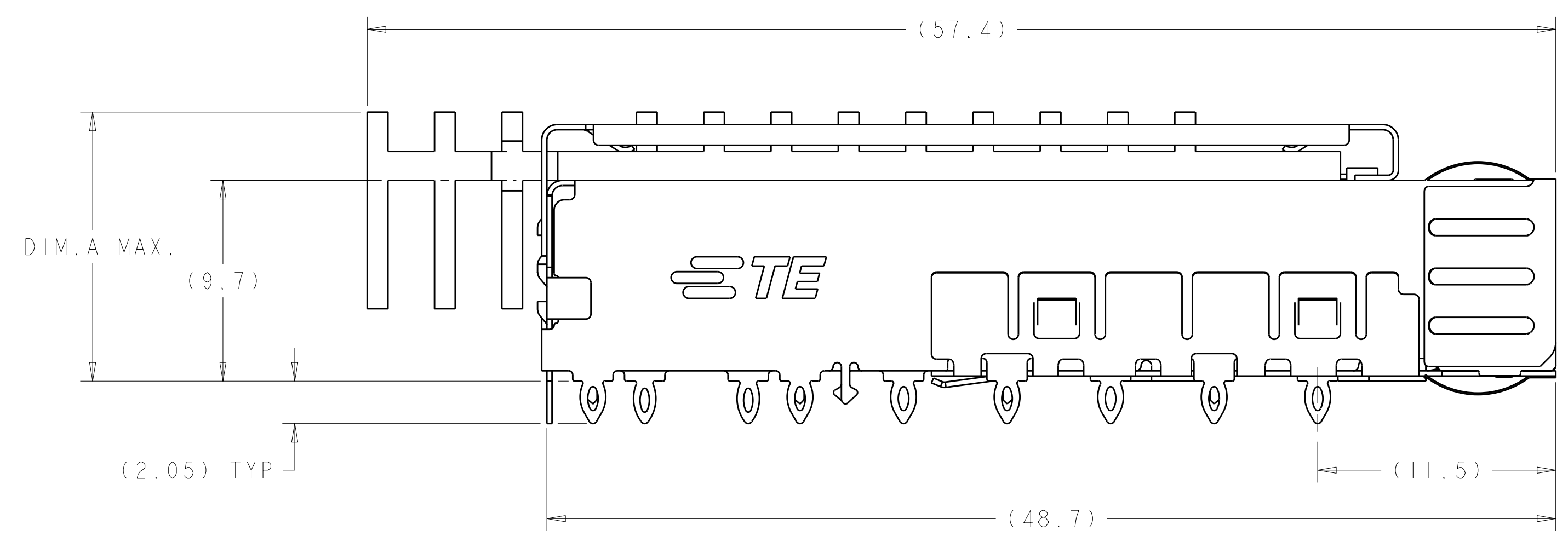


LOC	DIST	REVISIONS			
GP	00	REV	DATE	BY	APPD
		1	23NOV2011	TX	AC
		2	21DEC2011	TX	AC



2170191-1  
FINISHED ASSEMBLY

- 1 MATERIAL:  
CAGE ASSEMBLY: 0.25mm THICK NICKEL SILVER ALLOY  
HEATSINK CLIP: STAINLESS STEEL  
HEATSINK: ALUMINUM
- 2 FINISH:  
SPRINGS: MINIMUM OF 0.8um TIN PLATE OVER A MINIMUM OF 0.8um NICKEL UNDERPLATE.  
NON-PLATED EDGES PERMISSIBLE.  
HEATSINK: ELECTROLESS NICKEL  
HEATSINK CLIP: PASSIVATE
- 3 PADS AND VIAS CHASSIS GROUND.
- 4 DATUM AND BASIC DIMENSION ESTABLISHED BY CUSTOMER.
- 5. MATES WITH SFP MSA COMPLIANT TRANSCEIVERS.
- 6. INTERPRETATION OF DATUM REFERENCE FRAME IN ACCORDANCE WITH SECT 4.4.1.1 OF ASME Y14.5M-1994.
- 7 REFERENCE APPLICATION SPEC. 114-13120, HOLE A, FOR RECOMMENDED DRILL HOLE DIAMETER AND PLATING THICKNESS.
- 8 REFERENCE APPLICATION SPEC. 114-13120, HOLE B, FOR RECOMMENDED DRILL HOLE DIAMETER AND PLATING THICKNESS.
- 9 HOLE PATTERN REPEATS FOR EACH PORT. SPACING BETWEEN PORTS IS 14.25mm.
- 10 MINIMUM PCB BOARD THICKNESS:  
SINGLE SIDED = 1.50  
DOUBLE SIDED = 2.25
- 11. CERTAIN MATING TRANSCEIVERS MAY REQUIRE ADDITIONAL PCB THICKNESS THAT WOULD BE DETERMINED BY THE CUSTOMER.
- 12. PRODUCT COMPLIES WITH SPECIFICATION SFF-8433 IMPROVED PLUGGABLE FORM FACTOR FOR SFP+ GANGED CAGES.
- 13 DIMENSION APPLIES PRIOR TO INSERTION OF SFP MODULE



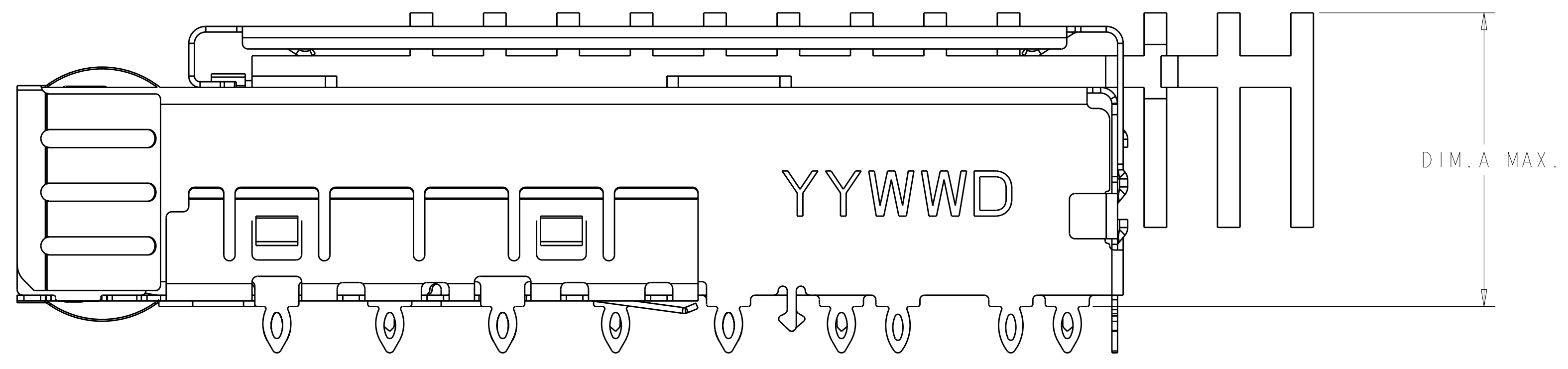
2170191-1  
MOUNTED BELLY TO BELLY ON PCB  
SCALE 4:1

20.2	HEAT SINK W/ THE FIRST ROW PIN	2170191-2
13	HEAT SINK W/O THE FIRST ROW PIN	2170191-1
A MAX	DESCRIPTION	PART NUMBER

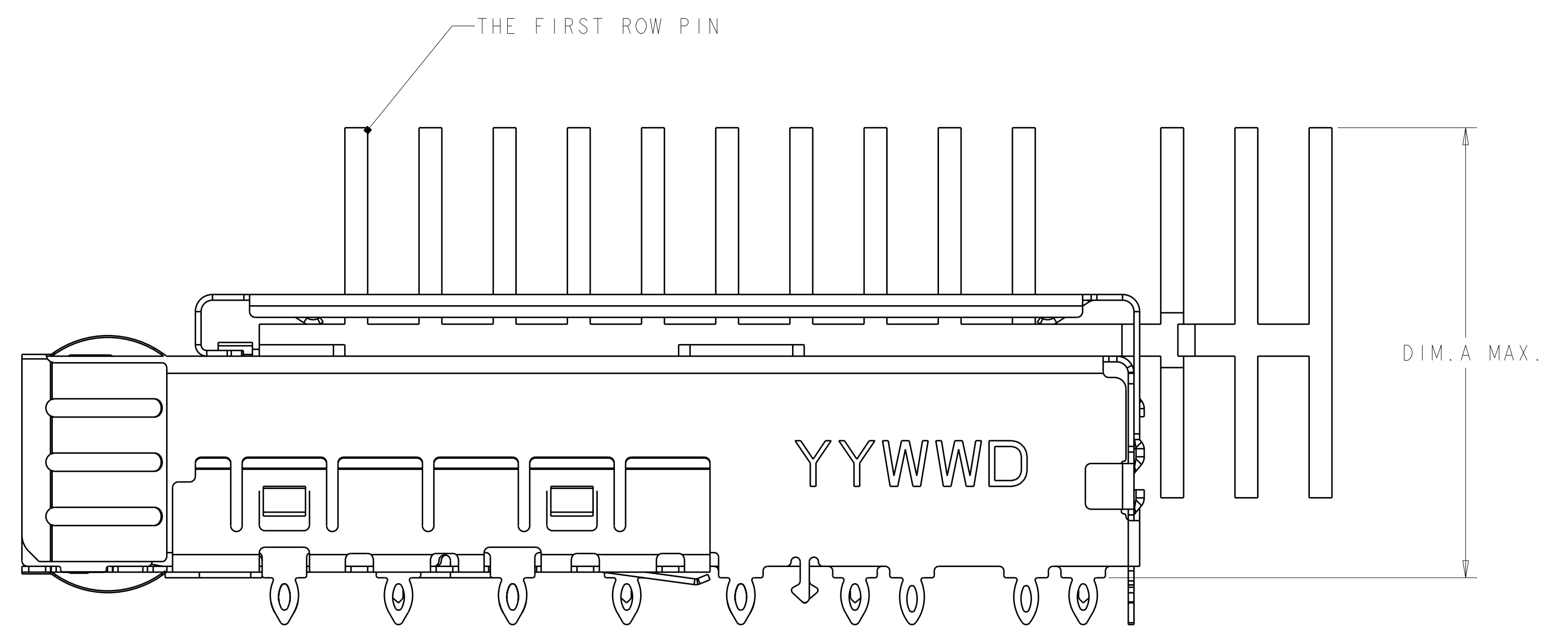
THIS PRINT IS  
**PRELIMINARY**  
UNQUALIFIED PRODUCT  
CONTACT PRODUCT ENGINEERING  
BEFORE USING THIS PRINT

THIS DRAWING IS A CONTROLLED DOCUMENT.		DRN TIM XUE 23NOV2011	TE Connectivity
DIMENSIONS: mm		CHK ALEX CAI 23NOV2011	
TOLERANCES UNLESS OTHERWISE SPECIFIED:		APVD ALEX CAI 23NOV2011	NAME SFP+ ENHANCED 1X4 CAGE ASSEMBLY PRESS FIT, EXTERNAL EMI SPRINGS WITH HEATSINK
9 PLC ±0.1 1 PLC ±0.1 2 PLC ±0.1 3 PLC ±0.1 4 PLC ±0.1 ANGLES ±0.1°		PRODUCT SPEC 108-2364 APPLICATION SPEC 114-13120	
MATERIAL		WEIGHT	SIZE CAGE CODE DRAWING NO A100779C=2170191
FINISH		CUSTOMER DRAWING	RESTRICTED TO SCALE 5:1 SHEET 1 OF 5 REV 2

LOC	DIST	REVISIONS			
GP	00	REV	DATE	BY	APPD
		1	SEE SHEET 1		



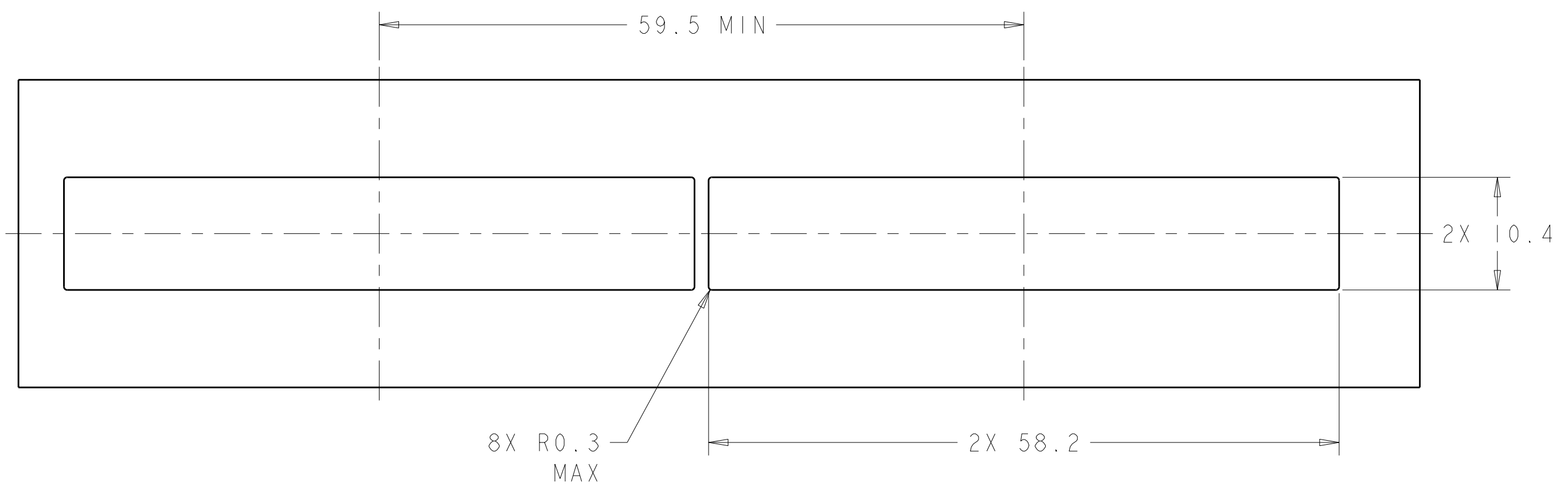
2170191-1 AS SHOWN  
 HEAT SINK W/O THE FIRST ROW PIN



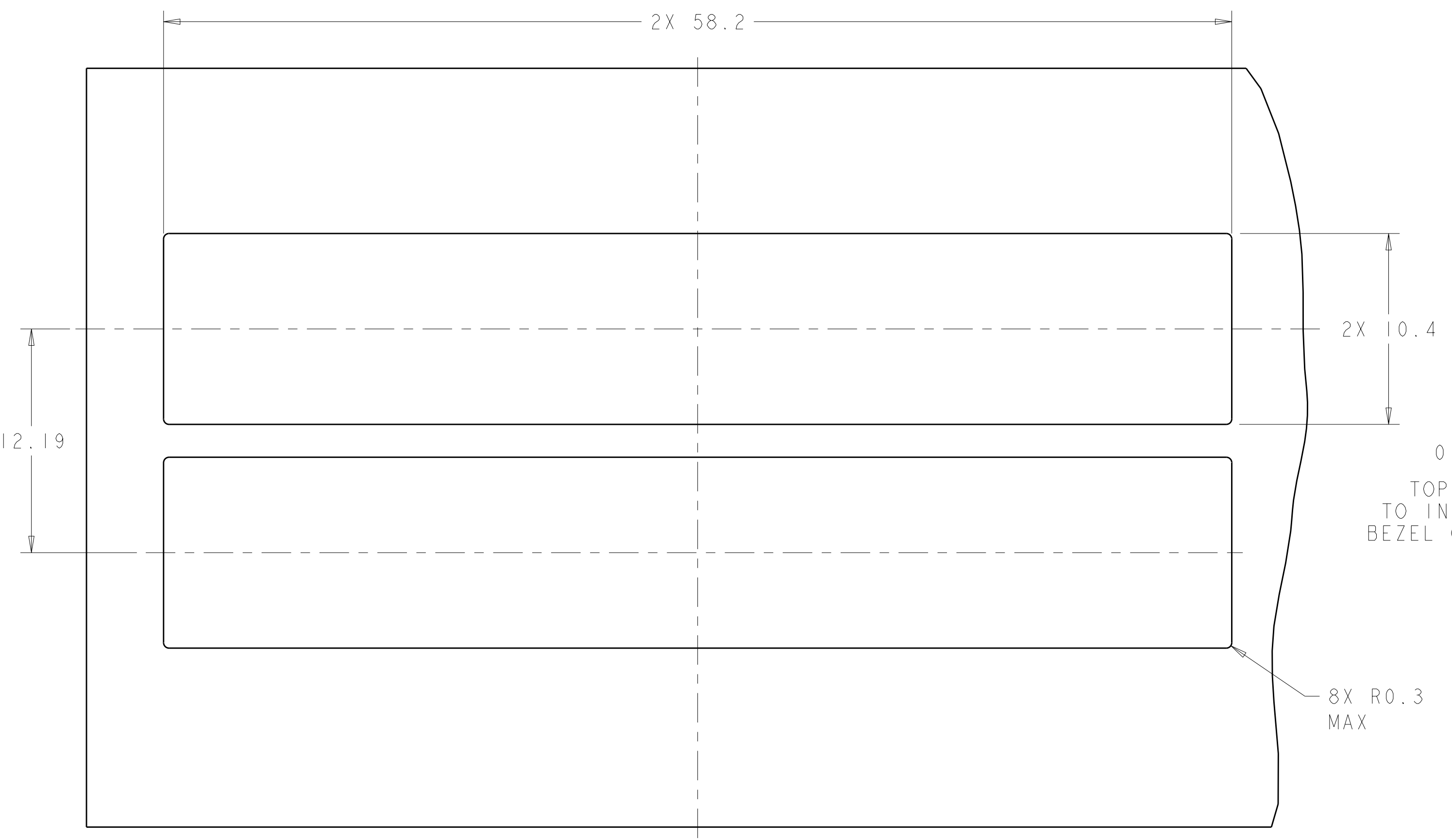
2170191-2 AS SHOWN

THIS DRAWING IS A CONTROLLED DOCUMENT.		DWN: TIM_XUE 23NOV2011 CHK: ALEX_CAI 23NOV2011 APVD: ALEX_CAI 23NOV2011	TE Connectivity
DIMENSIONS: mm	TOLERANCES UNLESS OTHERWISE SPECIFIED: 9 PLC ±0.1 1 PLC ±0.1 2 PLC ±0.1 3 PLC ±0.1 4 PLC ±0.1 ANGLES ±1°	NAME: SFP+ ENHANCED 1X4 CAGE ASSEMBLY PRESS FIT, EXTERNAL EMI SPRINGS WITH HEATSINK PRODUCT SPEC: 108-2364 APPLICATION SPEC: 114-13120	
MATERIAL:	FINISH:	WEIGHT: - CUSTOMER DRAWING	SIZE: A100779 CAGE CODE: C=2170191 RESTRICTED TO: - SCALE: 5:1 SHEET 2 OF 5 REV 2

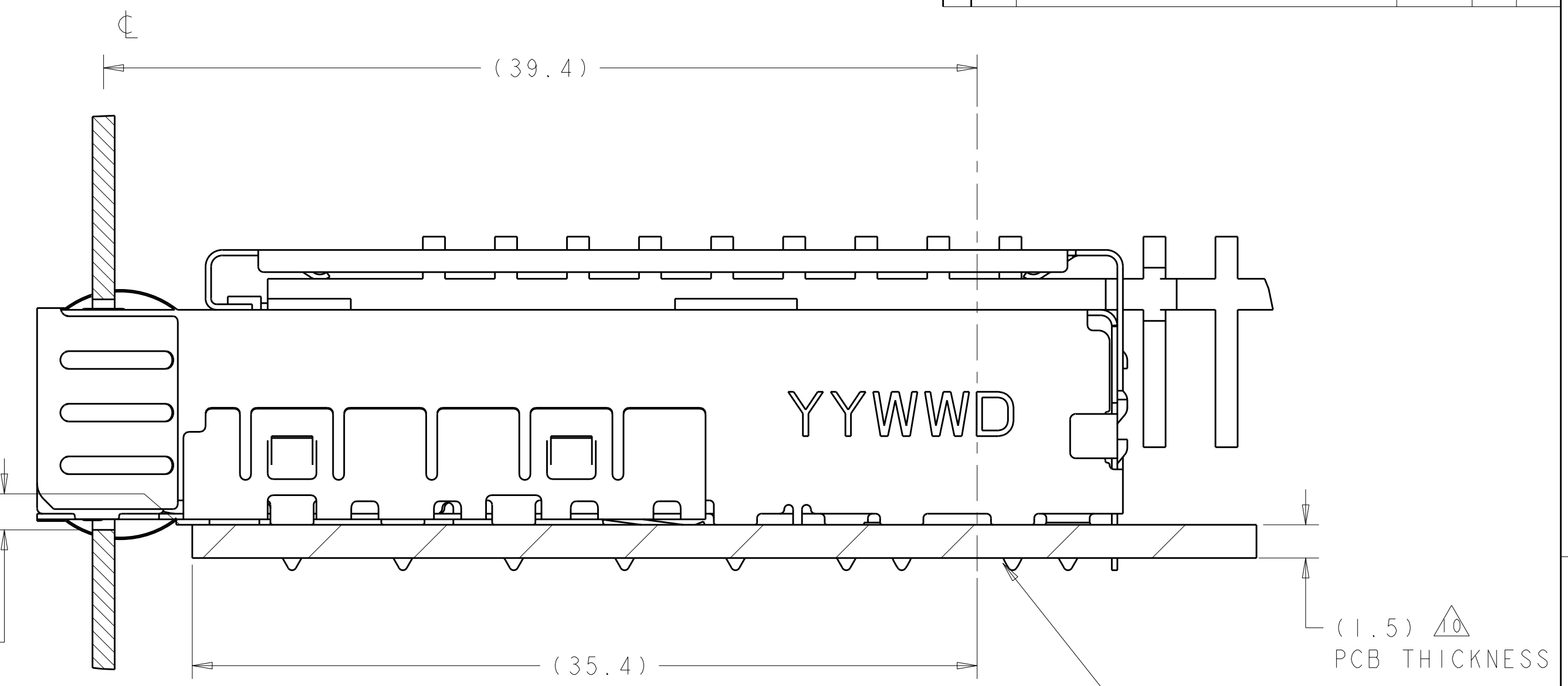
LOC	DIST	REV	DESCRIPTION	DATE	DWN	APVD
GP	00		SEE SHEET 1			



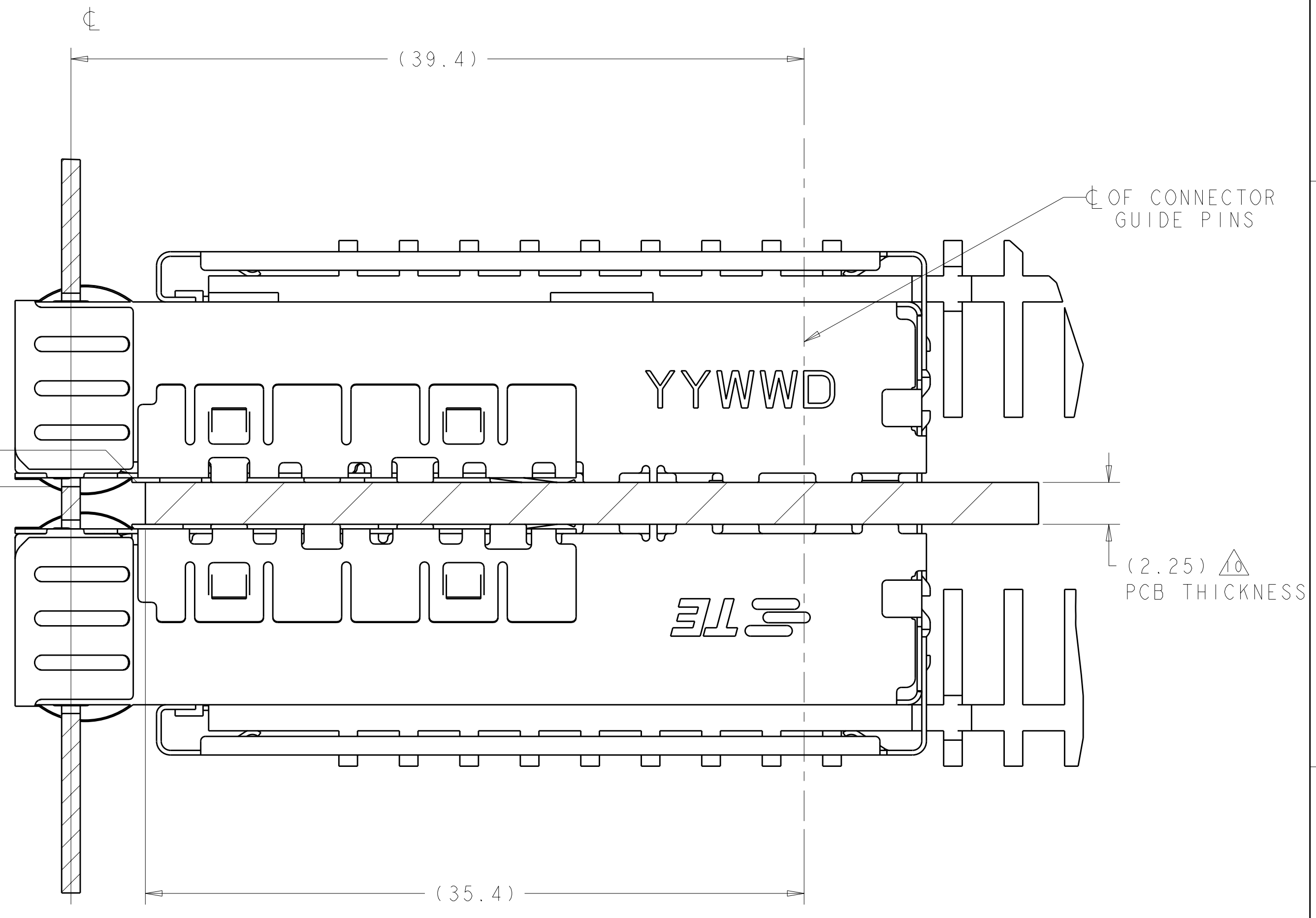
RECOMMENDED BEZEL CUT-OUT  
SINGLE SIDED APPLICATIONS  
SCALE 5:2



RECOMMENDED BEZEL CUT-OUT  
BELLY TO BELLY APPLICATIONS



2149730  
MOUNTED ON PC BOARD  
SHOWN THRU RECOMMENDED BEZEL



2149730  
MOUNTED BELLY TO BELLY ON PC BOARD  
SHOWN THRU RECOMMENDED BEZEL

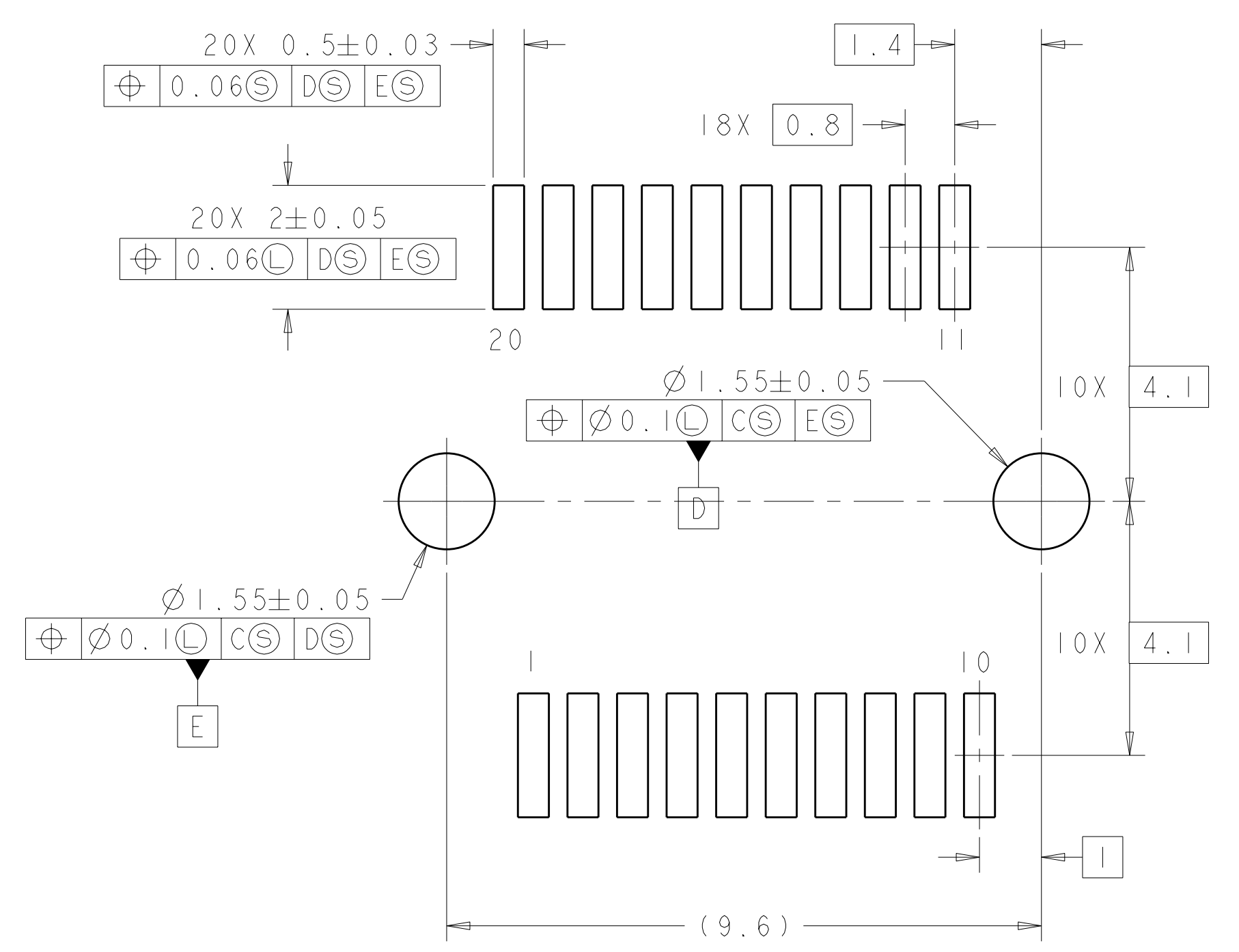
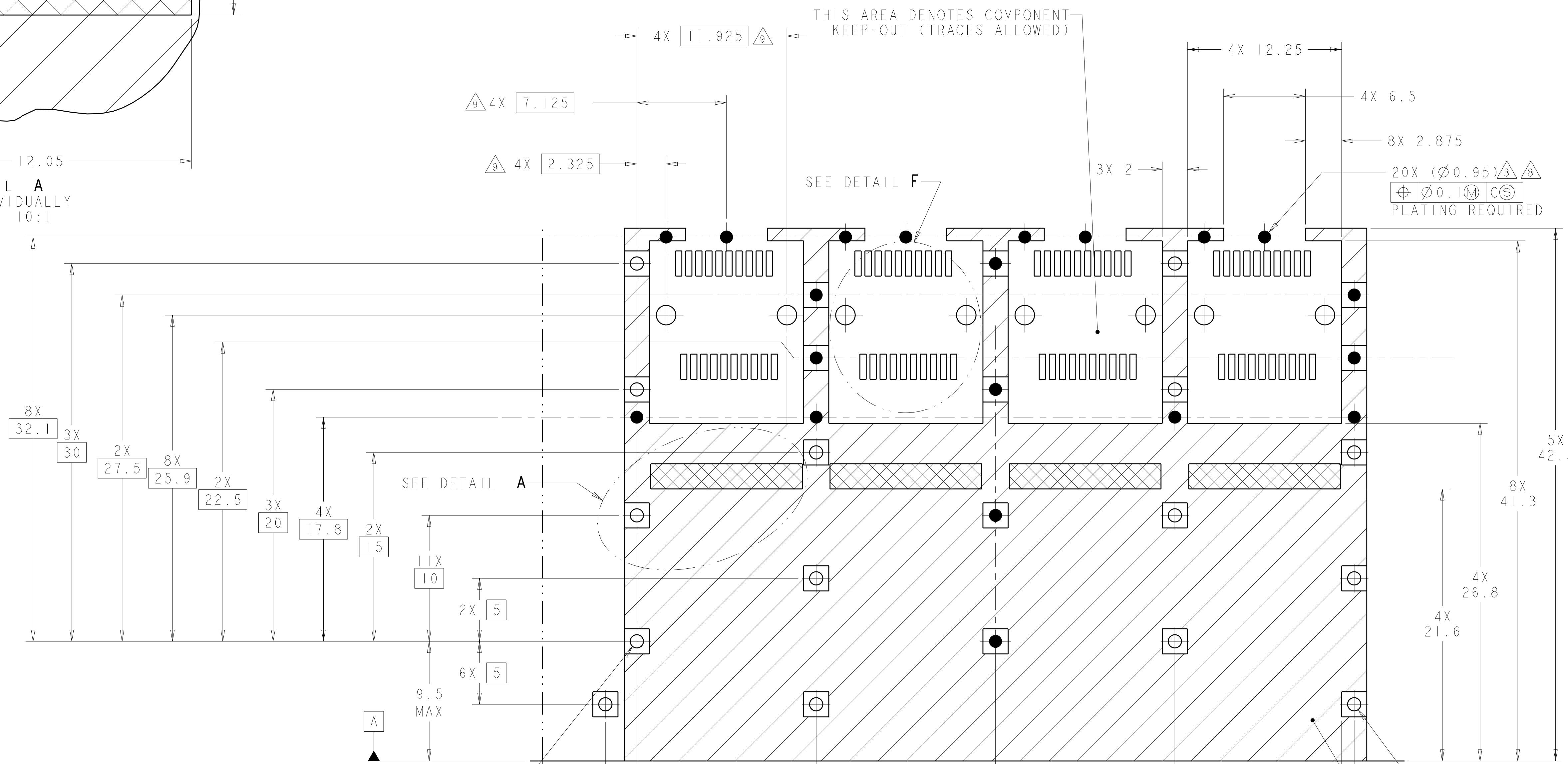
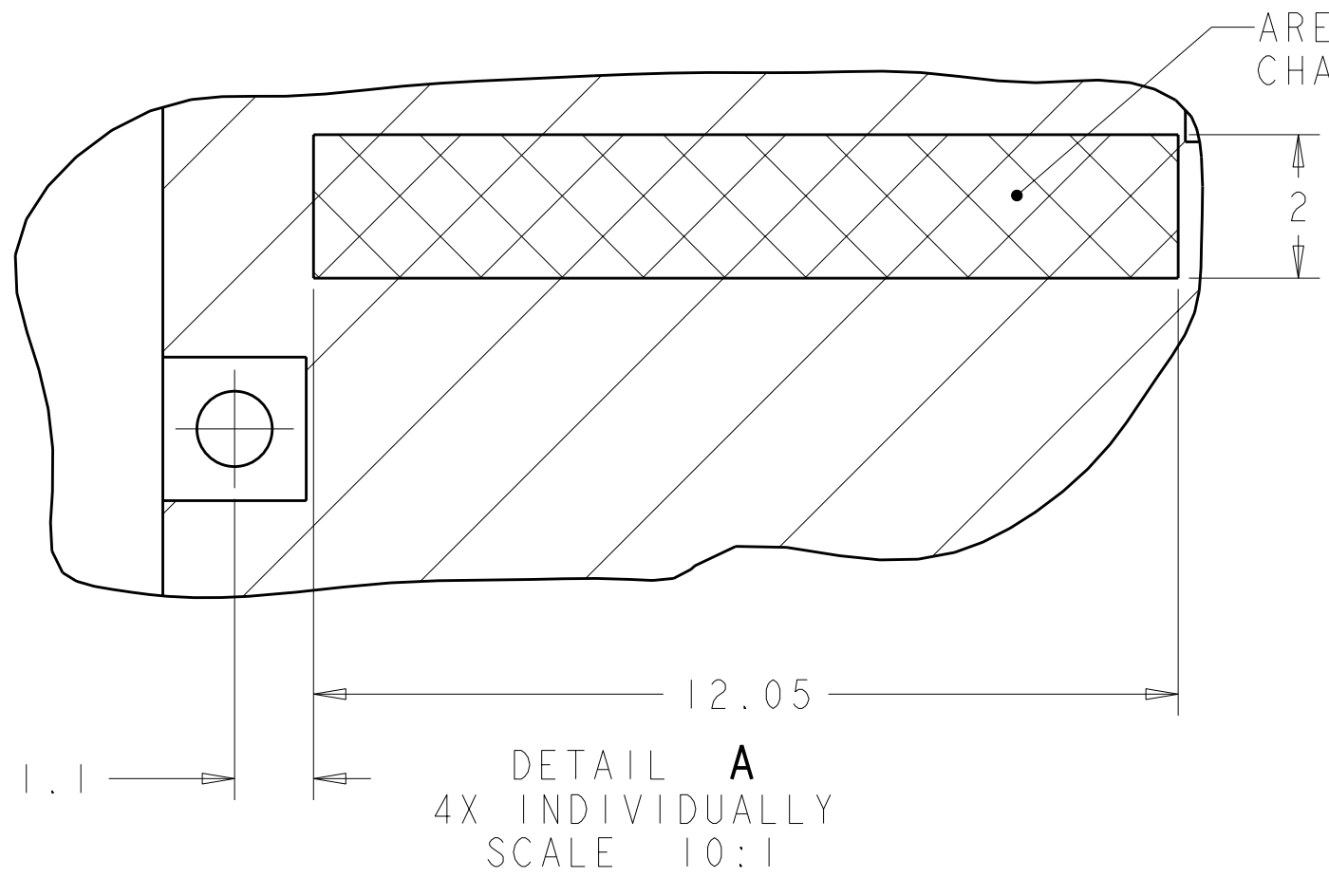
THIS PRINT IS  
**PRELIMINARY**  
UNQUALIFIED PRODUCT  
CONTACT PRODUCT ENGINEERING  
BEFORE USING THIS PRINT

THIS DRAWING IS A CONTROLLED DOCUMENT.		DRN	TIM_XUE	23NOV2011	TE Connectivity			
DIMENSIONS:		CHK	ALEX_CAI	23NOV2011				
TOLERANCES UNLESS OTHERWISE SPECIFIED:		APVD	ALEX_CAI	23NOV2011				
MATERIAL		NAME	SFP+ ENHANCED 1X4 CAGE ASSEMBLY PRESS FIT, EXTERNAL EMI SPRINGS WITH HEATSINK					
mm	9 PLC ±0.1	PRODUCT SPEC	108-2364		SIZE	CAGE CODE	DRAWING NO	RESTRICTED TO
	1 PLC ±0.1	APPLICATION SPEC	114-13120		SCALE	5:1	SHEET	3 OF 5
	2 PLC ±0.1	WEIGHT	-		REV	2		
	3 PLC ±0.1	CUSTOMER DRAWING						
	4 PLC ±0.1							
	ANGLES ±1°							
	FINISH							

LOC	DIST	REV	DATE	BY	APPD
GP	00				

REVISIONS		DATE	BY	APPD
1	SEE SHEET 1			



THIS PRINT IS  
**PRELIMINARY**  
UNQUALIFIED PRODUCT  
CONTACT PRODUCT ENGINEERING  
BEFORE USING THIS PRINT

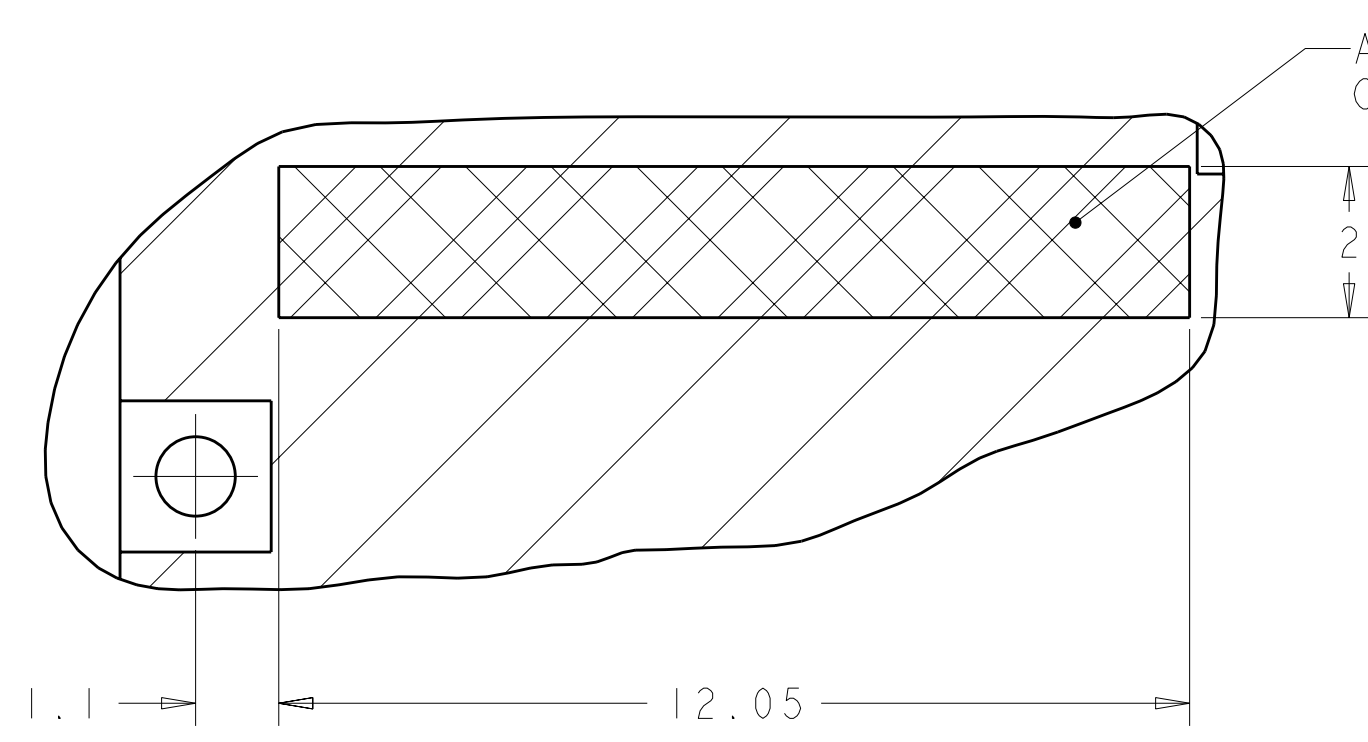
RECOMMENDED PCB CONFIGURATION  
WITH KEEP-OUT AREAS  
SINGLE SIDED APPLICATIONS  
SCALE 5:1

THIS DRAWING IS A CONTROLLED DOCUMENT.		OWN: TIM XUE 23NOV2011	TE Connectivity
DIMENSIONS: mm		CHK: ALEX CAI 23NOV2011	
TOLERANCES UNLESS OTHERWISE SPECIFIED:		APVD: ALEX CAI 23NOV2011	NAME: SFP+ ENHANCED 1X4 CAGE ASSEMBLY PRESS FIT, EXTERNAL EMI SPRINGS WITH HEATSINK
0 PLC ±0.1 1 PLC ±0.1 2 PLC ±0.1 3 PLC ±0.1 4 PLC ±0.1 ANGLES ±1°		PRODUCT SPEC: 108-2364	
MATERIAL: FINISH: 2		APPLICATION SPEC: 114-13120	SIZE: CAGE CODE: DRAWING NO: A100779C=2170191
		WEIGHT: -	RESTRICTED TO: -
		CUSTOMER DRAWING	SCALE: 5:1 SHEET: 4 OF 5 REV: 2

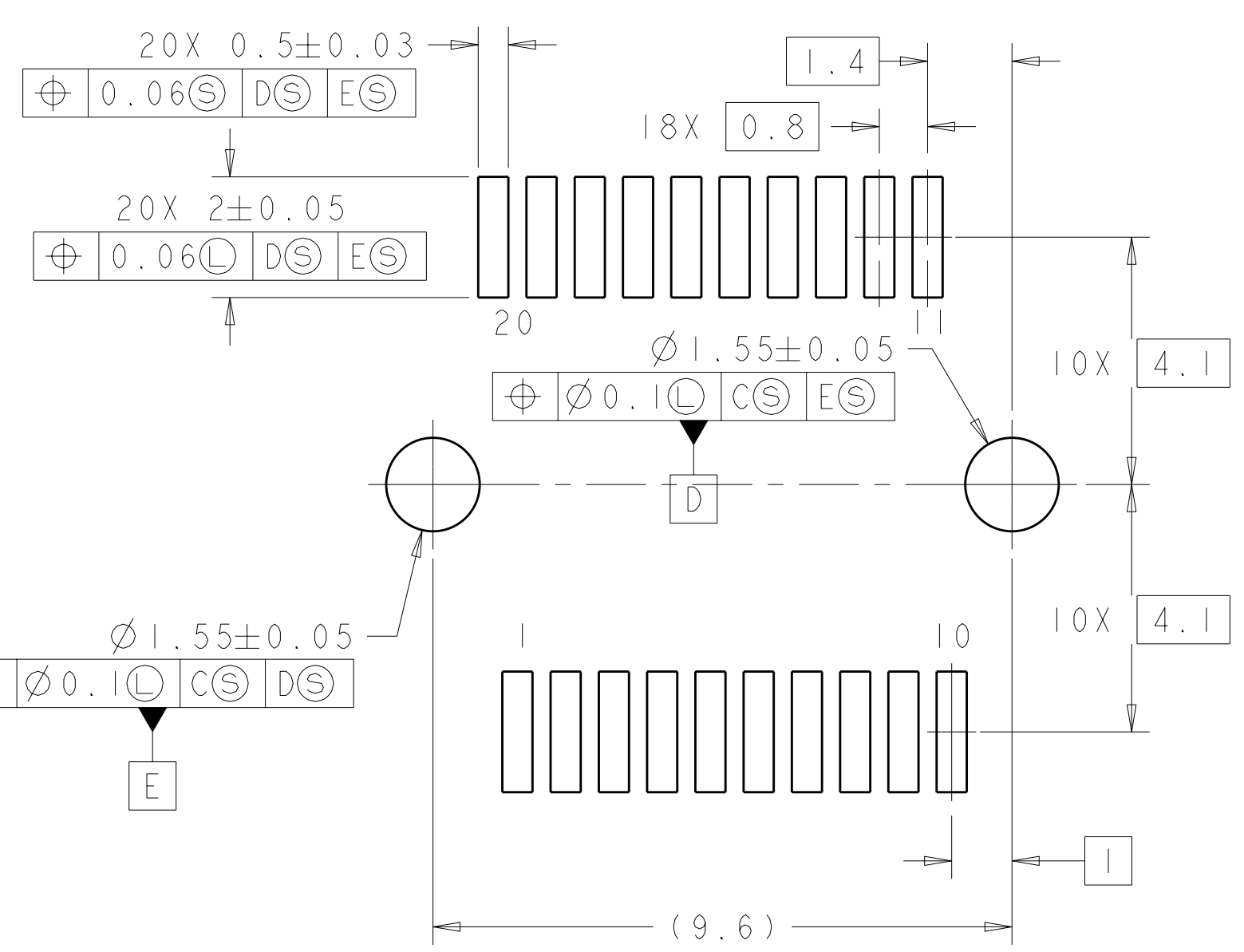
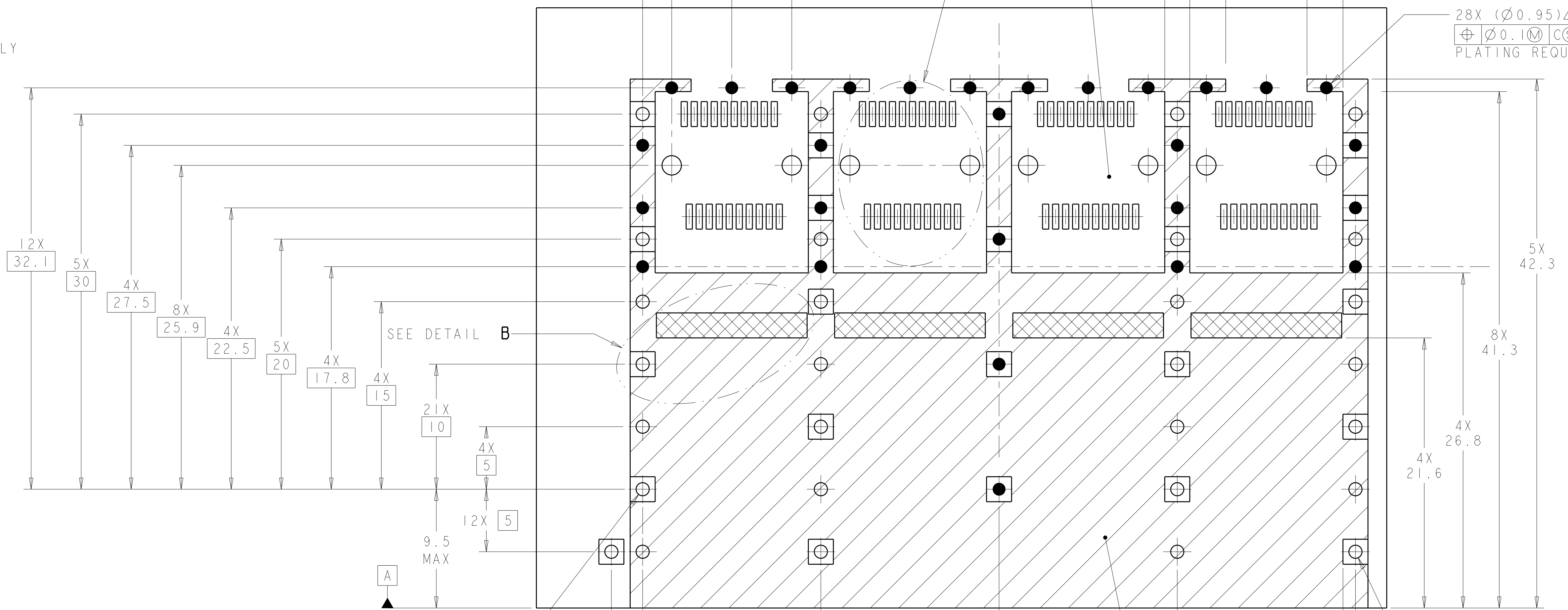
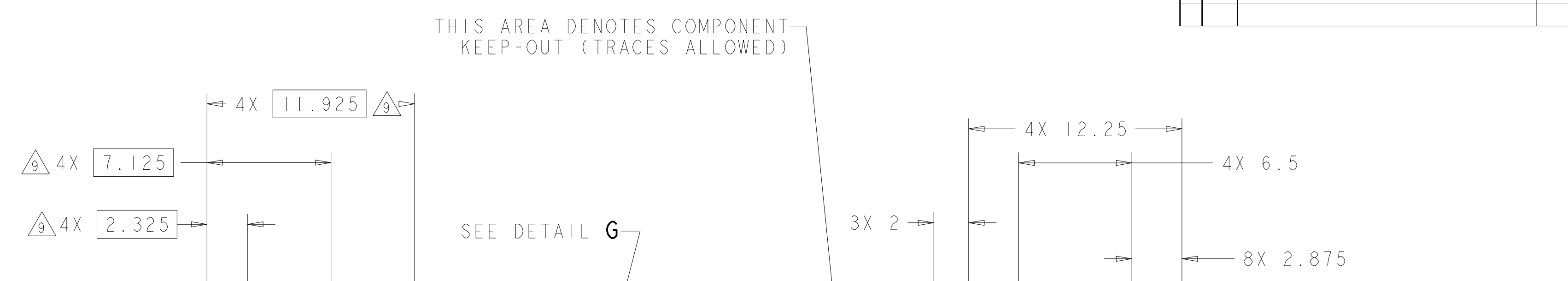
LOC	DIST	REV	DATE	BY	APPD
GP	00				

REVISIONS		DATE	BY	APPD
1	SEE SHEET 1			



**DETAIL B**  
4X INDIVIDUALLY  
SCALE 10:1



**DETAIL G**  
RECOMMENDED PT CONNECTOR LAYOUT  
8X INDIVIDUALLY  
SCALE 10:1

THIS PRINT IS  
**PRELIMINARY**  
UNQUALIFIED PRODUCT  
CONTACT PRODUCT ENGINEERING  
BEFORE USING THIS PRINT

RECOMMENDED PCB CONFIGURATION  
WITH KEEP-OUT AREAS  
BELLY TO BELLY APPLICATIONS  
SCALE 5:1

CROSS-HATCHED AREA DENOTES  
COMPONENT AND TRACE KEEP-OUT  
(EXCEPT CHASSIS GROUND)

THIS DRAWING IS A CONTROLLED DOCUMENT.		OWN: TIM XUE 23NOV2011	TE Connectivity
DIMENSIONS: mm		CHK: ALEX CAI 23NOV2011	
TOLERANCES UNLESS OTHERWISE SPECIFIED:		APPD: ALEX CAI 23NOV2011	
9 PLC ±0.1 1 PLC ±0.1 3 PLC ±0.1 4 PLC ±0.1 ANGLES ±1°		NAME: SFP+ ENHANCED 1X4 CAGE ASSEMBLY PRESS FIT, EXTERNAL EMI SPRINGS WITH HEATSINK PRODUCT SPEC: 108-2364 APPLICATION SPEC: 114-13120	
MATERIAL: △	FINISH: △	WEIGHT: -	SIZE: CAGE CODE DRAWING NO. RESTRICTED TO A100779C-2170191 CUSTOMER DRAWING SCALE: 5:1 SHEET 5 OF 5 REV 2

单击下面可查看定价，库存，交付和生命周期等信息

[>>TE Connectivity\(泰科\)](#)