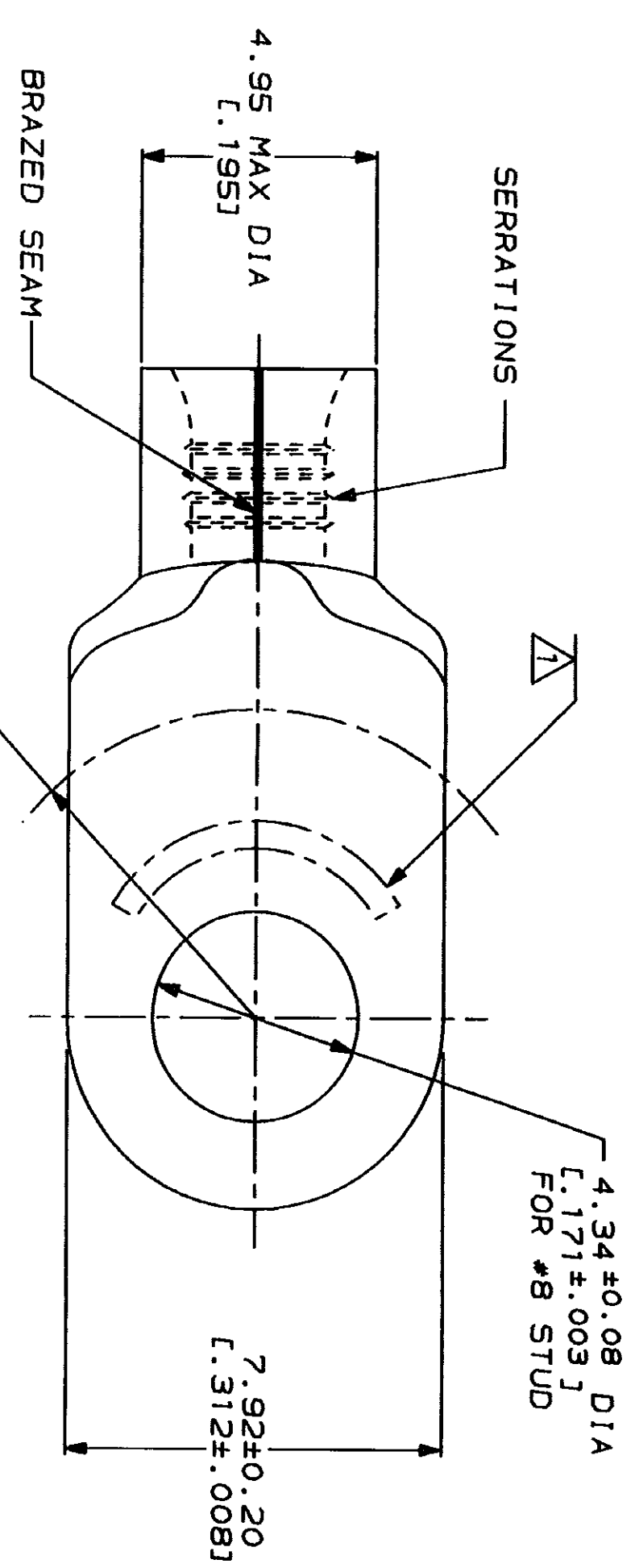
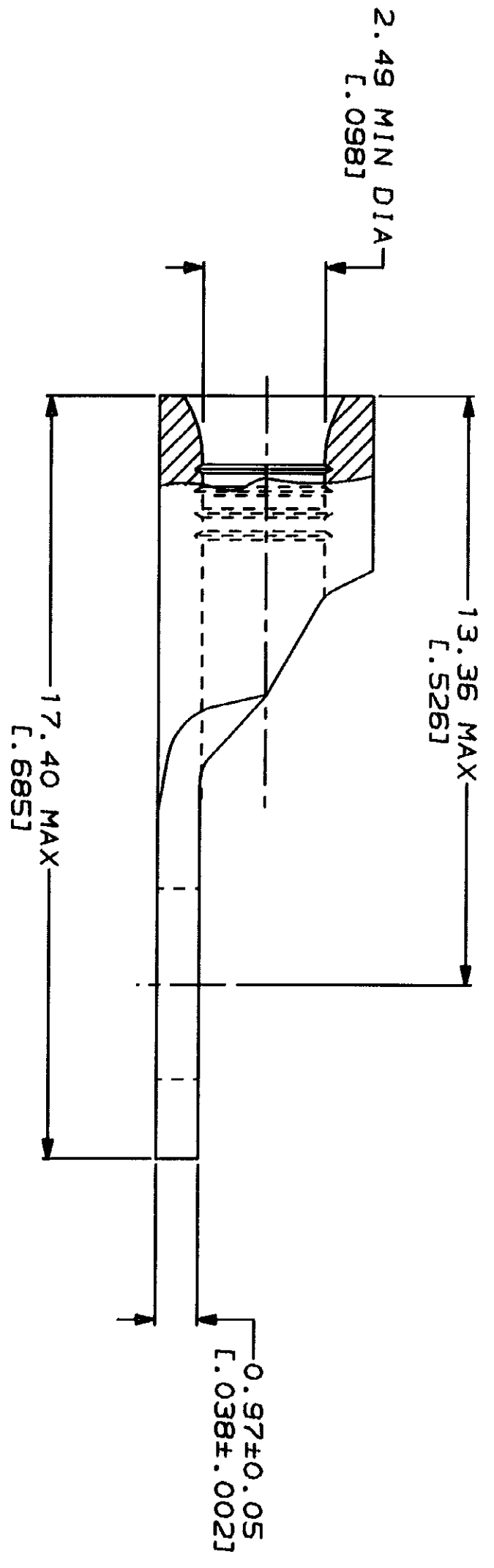


LOC	DIST	ZONE	LTR	REVISIONS	DESCRIPTION	DATE	APPD
G	14			6	REVISED PER 0720-0033-94	3/9/94	JMP

METRIC
DIMENSIONS LISTED IN mm [INCHES]



AMP WIRE RANGE 14-12 AWG SOLID OR STRANDED	UL E13288 Listed
LR7189 Certified 14-12 AWG SOLID OR STRANDED	MILITARY P/N AND CLASS NOT APPLICABLE



AMP INCORPORATED
CUSTOMER SERVICE SYSTEMS

FOR ADDITIONAL PRODUCT INFORMATION OR COPIES OF DRAWINGS AND TECHNICAL DOCUMENTS	PRODUCT INFORMATION CENTER 1-800-522-6752	MAX RECOMMENDED OPERATING TEMPERATURE: 170°C MAX
FOR APPLICATION TOOLING INFORMATION	TOOLING ASSISTANCE CENTER 1-800-722-1111	VOLTAGE RATING: NOT APPLICABLE
FOR ORDER ENTRY	1-800-526-5142	WIRE CROSS SECTIONAL AREA RANGE: 1.65-4.17mm² [3,260-9,230] CIR MILS SOLID OR STRANDED

DO NOT SCALE PRINT.
UNLESS SPECIFIED
DIMENSIONS IN mm (INCHES)
TOLERANCES ON:
1. DIMENSIONS IN mm
2. PLG DEC ± .05
3. ANGLES
MATERIAL
COPPER PER
ASTM B-152
ANNEALED

DR 3/8/94 DK SCHRUM	NAME	AMP
CHK 3/9/94 DA PATTERSON	TERMINAL, RING TONGUE, SOLISTRAND™	AMP Incorporated Harrisburg, PA 17105-3608
APPD 3/9/94 CH KILWYCH	FINISH	TIN PLATE
APPD 3/9/94 JL NECKLEY	APPLICATION SPEC	0.00254 [L.000100] MIN THK PER MIL-T-10727
PRODUCT SPEC	SCALE	8:1
WEIGHT		

OBSOLETE	2500	ON TAPE	1-321827-0
QUANTITY	---	LOOSE PIECE	321827
		PACKAGING TYPE	PART NO

321827

单击下面可查看定价，库存，交付和生命周期等信息

[>>TE Connectivity\(泰科\)](#)