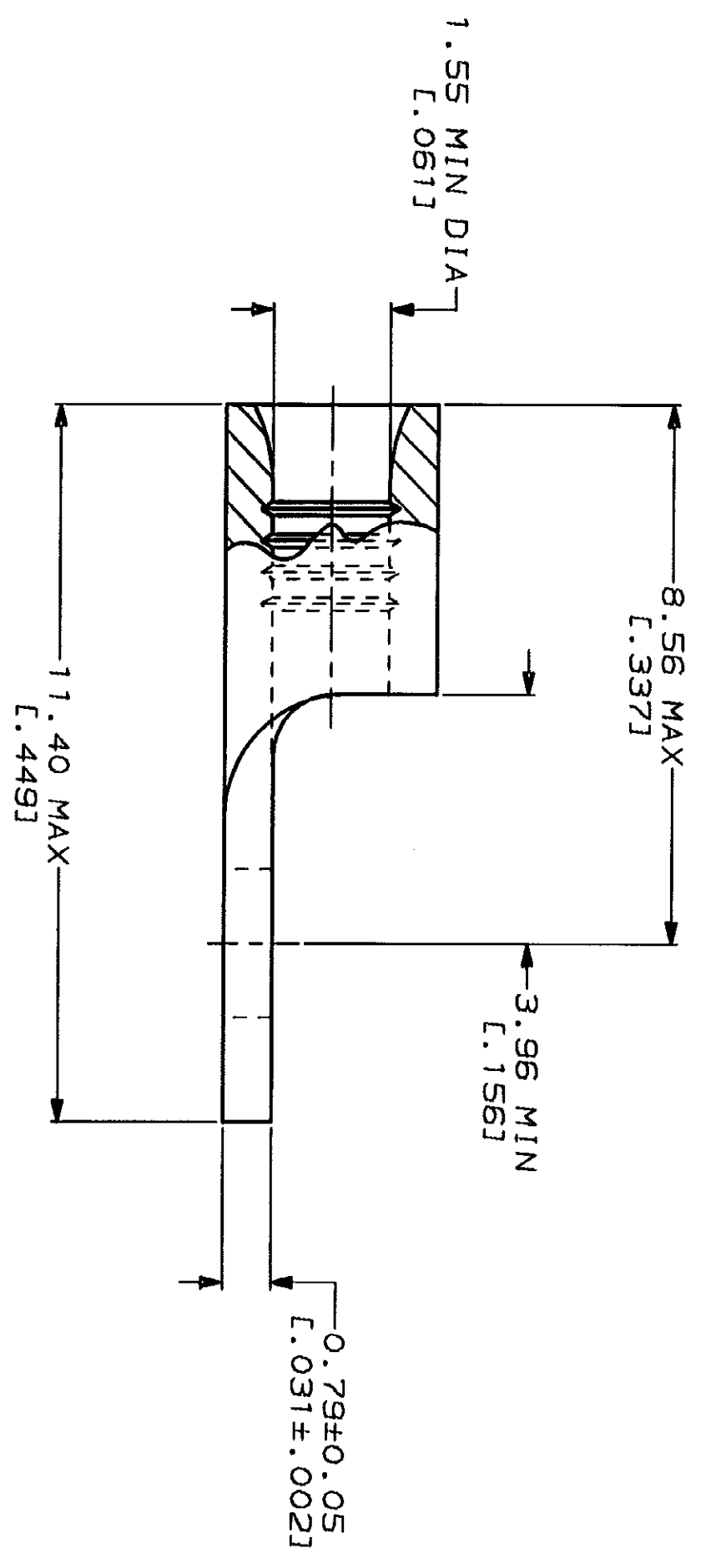
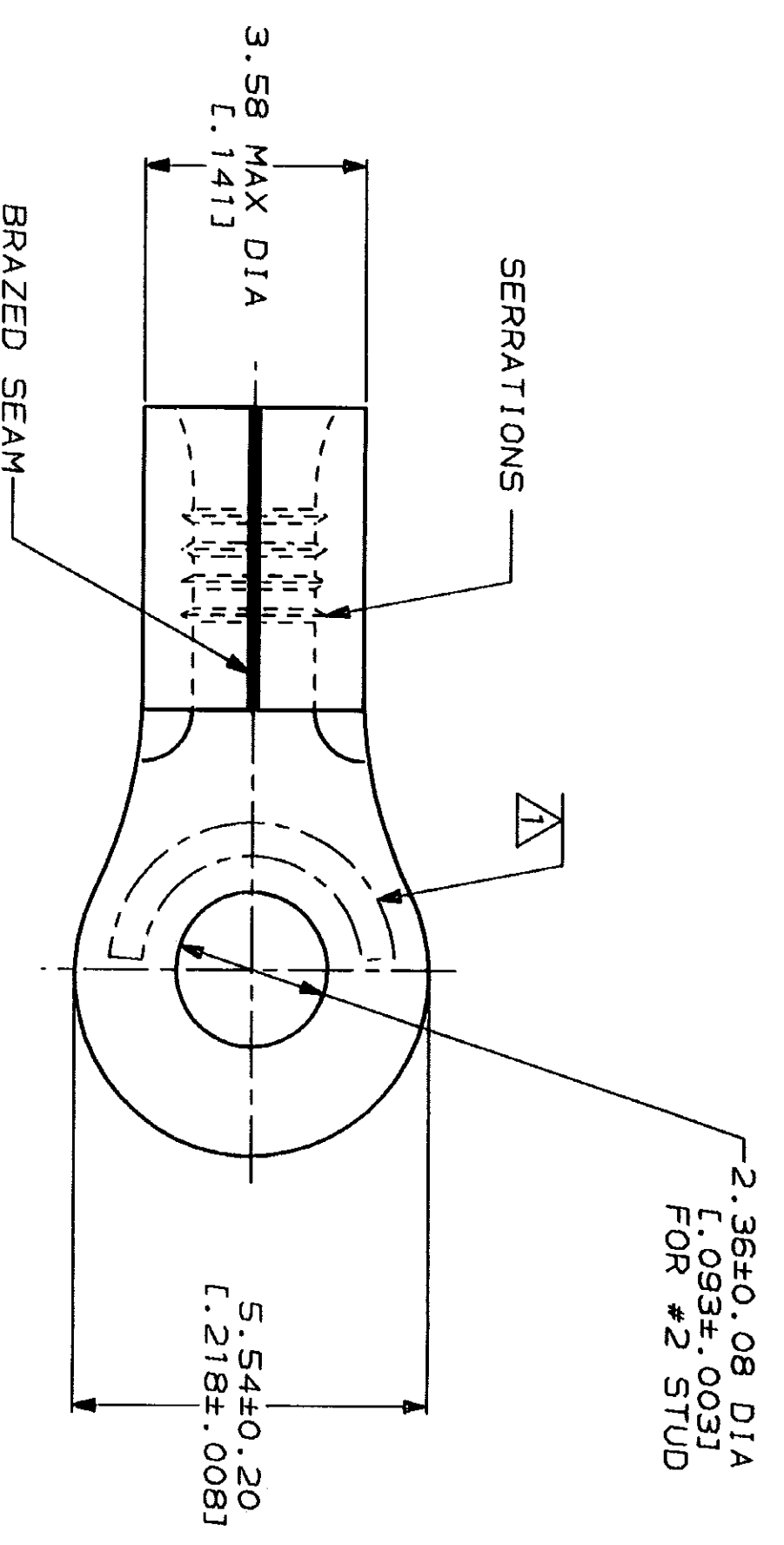
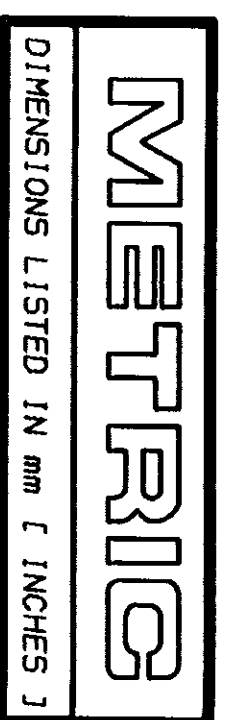


LOC	DIST	REV	DESCRIPTION	DATE	APP'D
G	14	P	REV 8 REDRAWN PER 0720-0040-93	3-9-93	YB DAP



AMP WIRE RANGE	UL E13288 Listed
22-16 AWG SOLID OR STRANDED	22-16 AWG SOLID OR STRANDED
LR7189 Certified	MILITARY P/N AND CLASS
22-16 AWG SOLID OR STRANDED	M7928/7-1 CLASS 2 PN'S 34103 & 2-34103-1

STAMP AMP 22-18* APPROX AS SHOWN
 22-16 TERMINALS ARE STAMPED 22-18 IN
 ACCORDANCE WITH MILITARY SPECIFICATION
 MIL-T-7928; COMMERCIAL WIRE RANGE IS 22-16

**AMP INCORPORATED
 CUSTOMER SERVICE SYSTEMS**

FOR ADDITIONAL PRODUCT INFORMATION OR COPIES OF DRAWINGS AND TECHNICAL DOCUMENTS	PRODUCT INFORMATION CENTER 1-800-522-6752
FOR APPLICATION TOOLING INFORMATION	TOOLING ASSISTANCE CENTER 1-800-722-1111
FOR ORDER ENTRY	1-800-526-5142

MAX RECOMMENDED OPERATING TEMPERATURE:	170°C MAX
VOLTAGE RATING:	NOT APPLICABLE
WIRE CROSS SECTIONAL AREA RANGE: SOLID OR STRANDED	0.26-1.65mm ² [509-3,260] CIR MILS

DO NOT SCALE PRINT. UNLESS SPECIFIED DIMENSIONS IN mm [INCHES] TOLERANCES ON: 2 PLC DEC ± 3 PLC DEC ± ANGLES ±	FINISH TIN PLATE 0.00254 [L.000100] MIN THK PER MIL-T-10727
--	--

DR 1-27-93 TA BRINKMAN	DR 1-27-93 DA PATTERSON
APPD 1-27-93 DE MILLER	APPD 1-27-93 JL MECKLEY
PRODUCT SPEC	APPLICATION SPEC
WEIGHT	

5000	ON TAPE	2-34103-1
---	LOOSE PIECE	34103
QUANTITY	PACKAGING TYPE	PART NO

AMP	AMP Incorporated Harrisburg, PA 17105-3608
------------	---

TERMINAL, RING
 TONGUE, SOLISTRAND™

SIZE	CAGE CODE	DRAWING NO
SCALE 10:1	00779	34103
		SHEET 1 OF 1

单击下面可查看定价，库存，交付和生命周期等信息

[>>TE Connectivity\(泰科\)](#)