

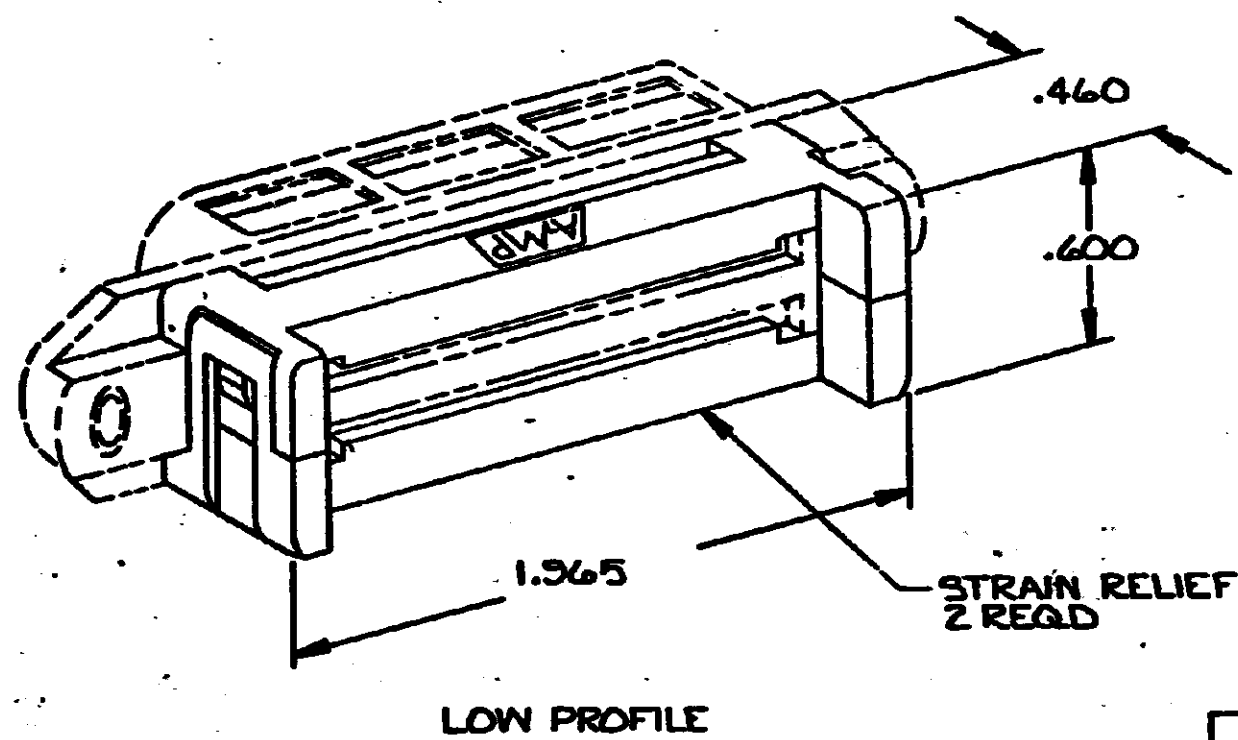
DRAWING MADE IN THIRD ANGLE PROJECTION

© COPYRIGHT 1974 BY AMP INCORPORATED, HARRISBURG, PA.  
 ALL INTERNATIONAL RIGHTS RESERVED. AMP INCORPORATED PRODUCTS  
 COVERED BY U. S. AND FOREIGN PATENTS AND/OR PATENTS PENDING.

AA 20

REVISIONS			
P	ZONE/LTR	DESCRIPTION	DATE APPROVED
F	✓	F SUPSD -1; EGN AA-3253	4/21/80

1. STRAIN RELIEF SHOWN ASSEMBLED, HOWEVER, THEY ARE SHIPPED NOT ASSEMBLED.
2. ALL DIMENSIONS SHOWN ARE FOR REFERENCE ONLY UNLESS OTHERWISE SPECIFIED.



LOW PROFILE	BLACK	J-552297-1
DESCRIPTION	COLOR	PART NO

UNLESS OTHERWISE SPECIFIED DIMENSIONS ARE IN INCHES. TOLERANCES ON: DECIMALS $\pm .01$ ANGLES $\pm 1$	CONTRACT NO 2-20-80	AMP AMP INCORPORATED Harrisburg, Pa.
	DR RW Sp... CHK V. E. Sl... 4/21/80	
MATERIAL THERMOPLASTIC	APPD B. E. Ward 4/21/80 APPD W. J. Kelly 4-21-80	SIZE CODE IDENT NO DRAWING NO C 00779 552297
FINISH #	DSGN APPD OTHER APPD	SCALE 2:1 SHEET 1 OF 1

AMP 1471-6 REV 12-78

CUSTOMER DRAWING

552297

单击下面可查看定价，库存，交付和生命周期等信息

[>>TE Connectivity\(泰科\)](#)