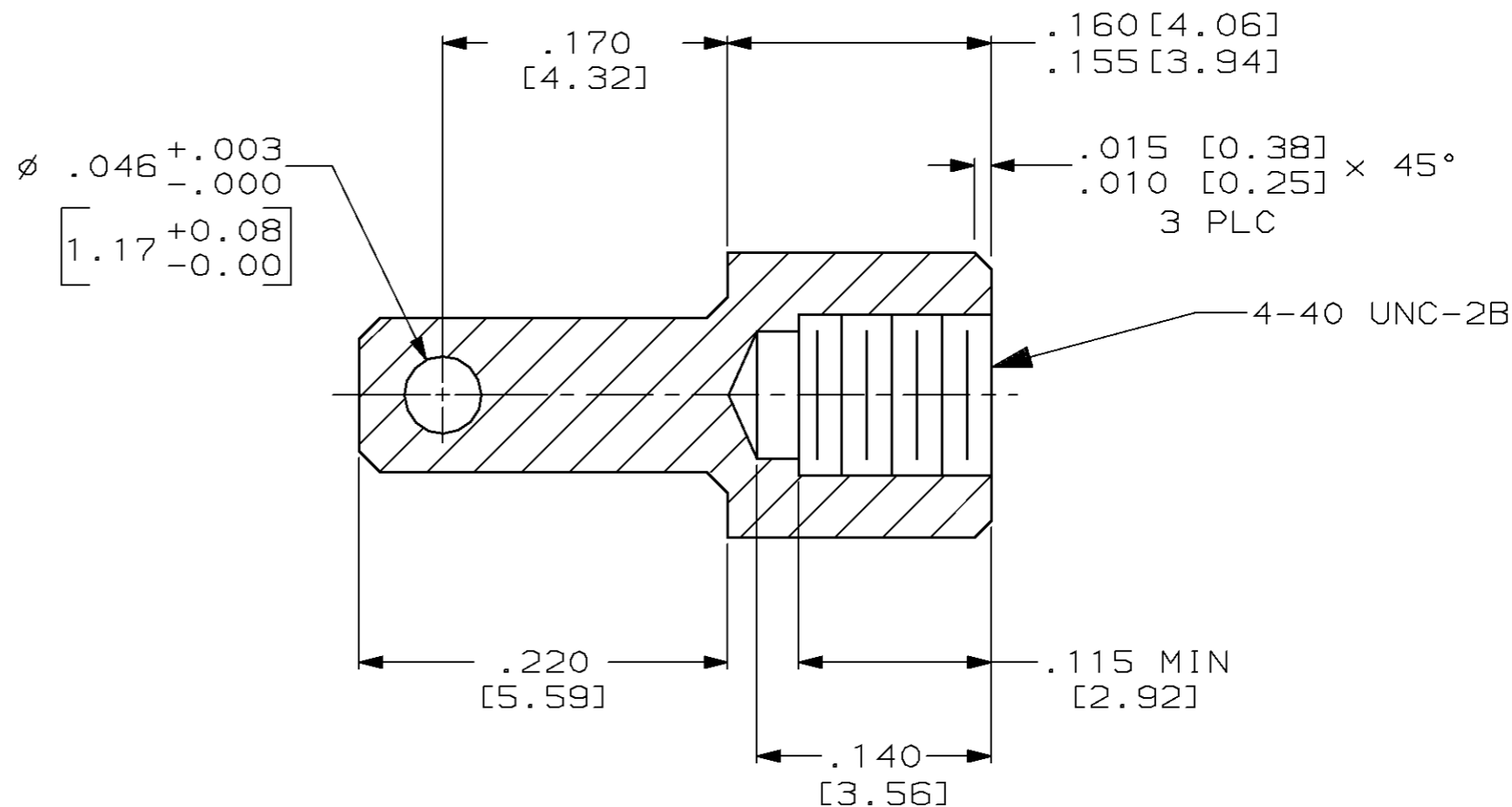
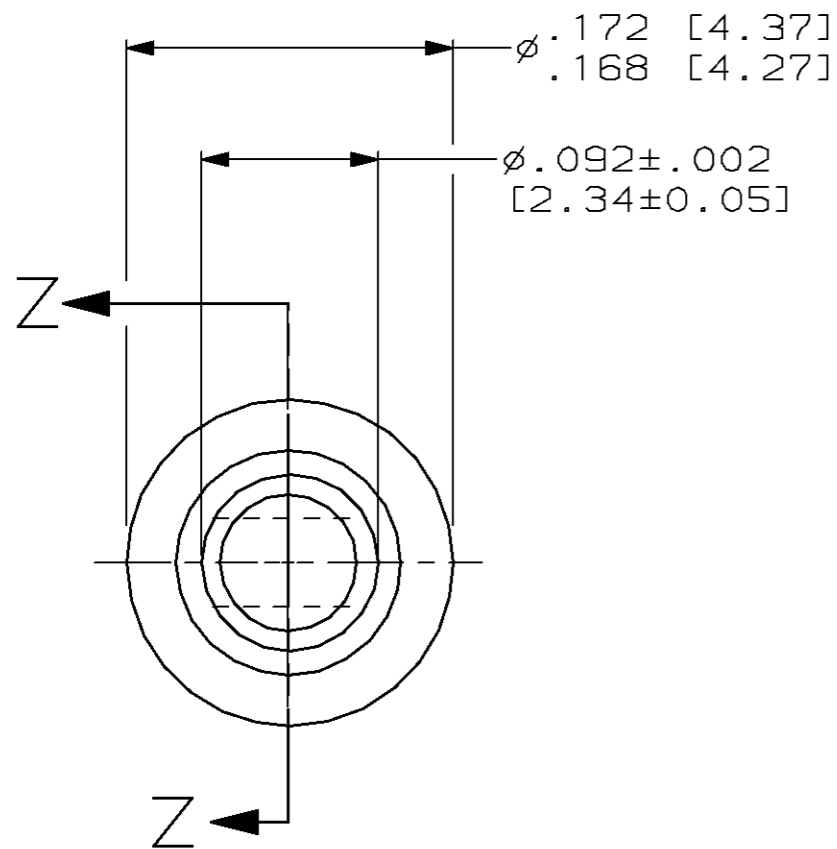


THIS DRAWING IS UNPUBLISHED. RELEASED FOR PUBLICATION, 19 .
 © COPYRIGHT 19 BY AMP INCORPORATED. ALL RIGHTS RESERVED.

LOC		DIST		REVISIONS		
P	LTR	DESCRIPTION	DATE	DWN	APVD	
	A	REV PER 0600-5687-96	6-96	CT	DG	



1 STAINLESS STEEL PER ASTM-A-582
 2 PASSIVATED PER QQ-P-35

443376-1
 PART NUMBER

<small>THIS DRAWING IS A CONTROLLED DOCUMENT FOR AMP INCORPORATED. IT IS SUBJECT TO CHANGE AND THE CONTROLLING ENGINEERING ORGANIZATION SHOULD BE CONTACTED FOR THE LATEST REVISION.</small>		DWN T. ALEXANDER 12-11-95 CHK D. GUTTER 12-12-95 APVD D. GUTTER 12-12-95 PRODUCT SPEC APPLICATION SPEC WEIGHT -	AMP AMP Incorporated Harrisburg, PA 17105-3608 NAME MINI-BOX, JACKSCREW, FEMALE, TURNABLE
DIMENSIONS: INCHES [mm]	TOLERANCES UNLESS OTHERWISE SPECIFIED: 0 PLC ±- 1 PLC ±- 2 PLC ±- 3 PLC ±.005 [0.13] 4 PLC ±- ANGLES ±- FINISH	SIZE A3 CAGE CODE 00779 DRAWING NO C-443376	SCALE 10:1 SHEET 1 OF 1 REV A
MATERIAL	1 2	CUSTOMER DRAWING	

单击下面可查看定价，库存，交付和生命周期等信息

[>>TE Connectivity\(泰科\)](#)