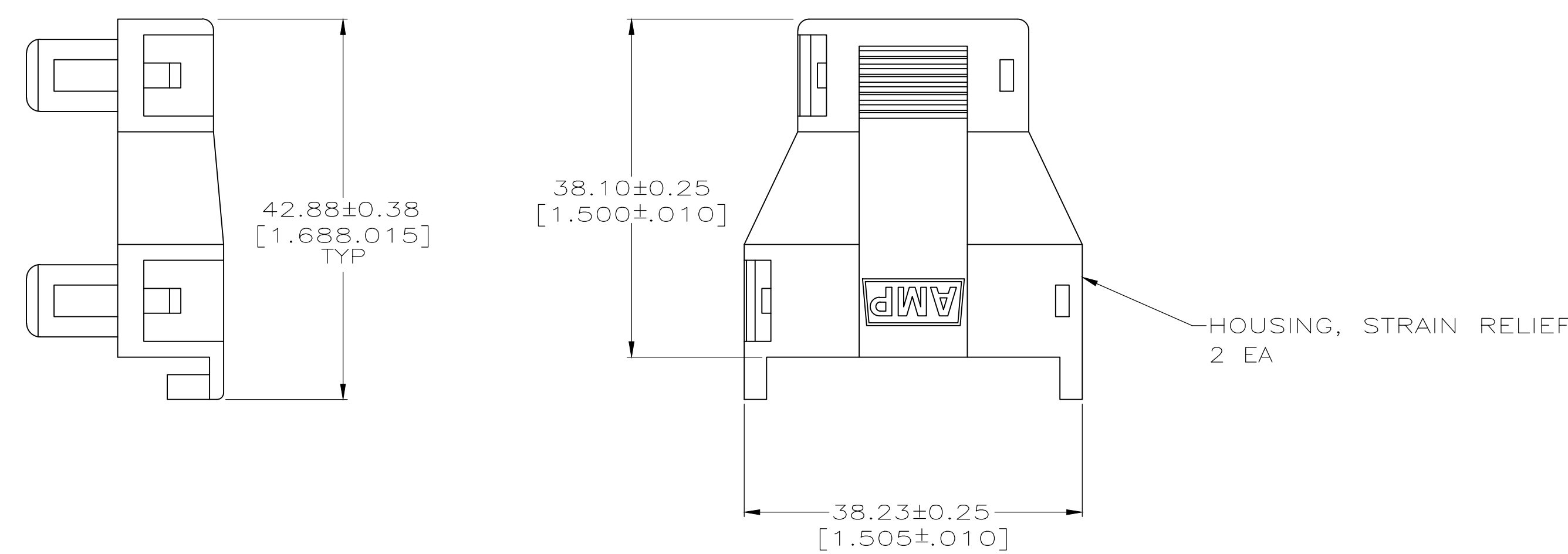
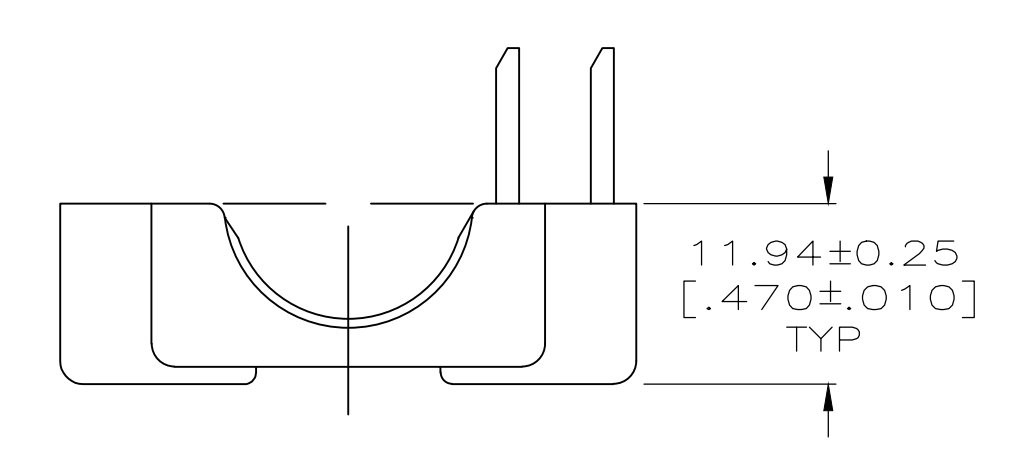
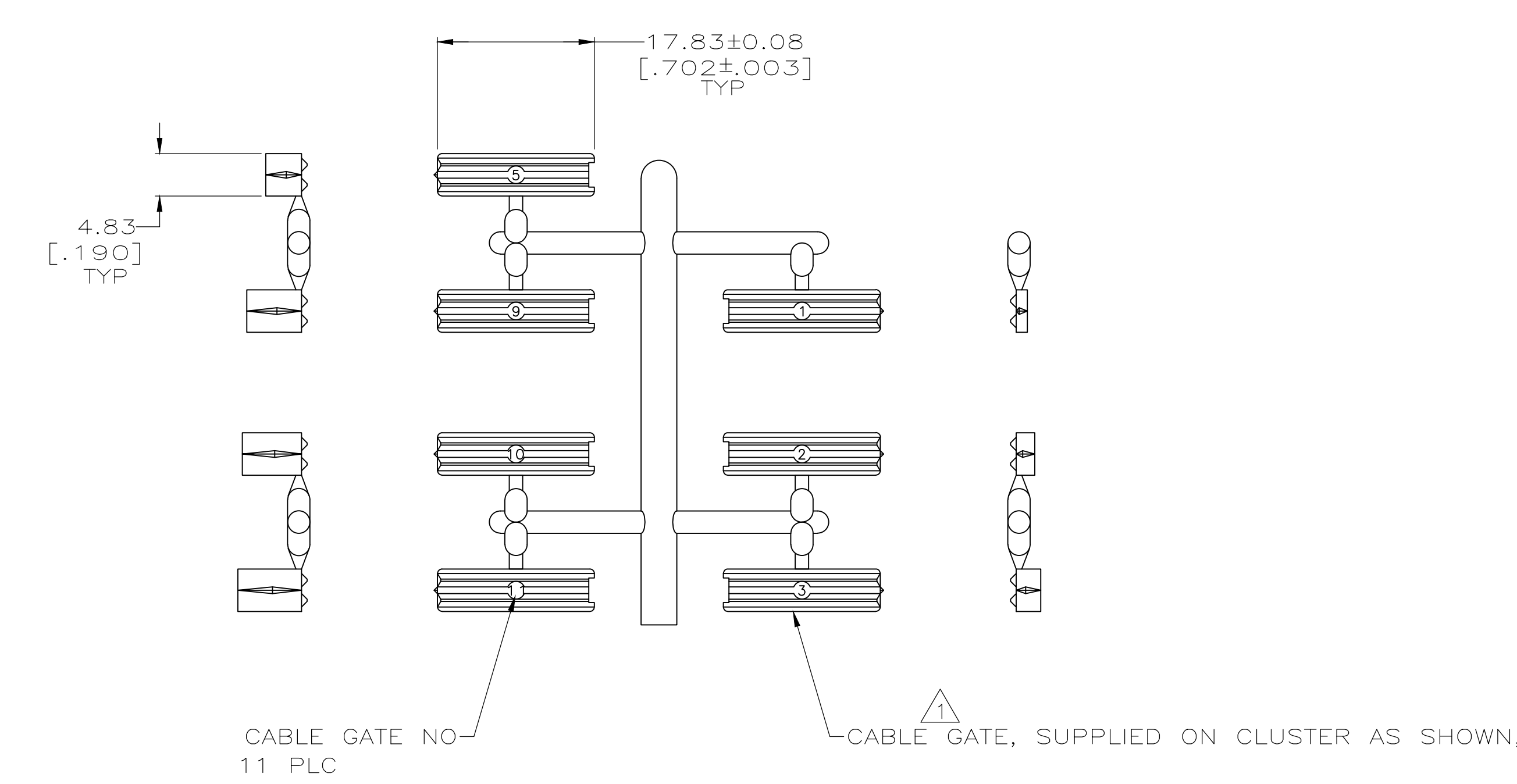
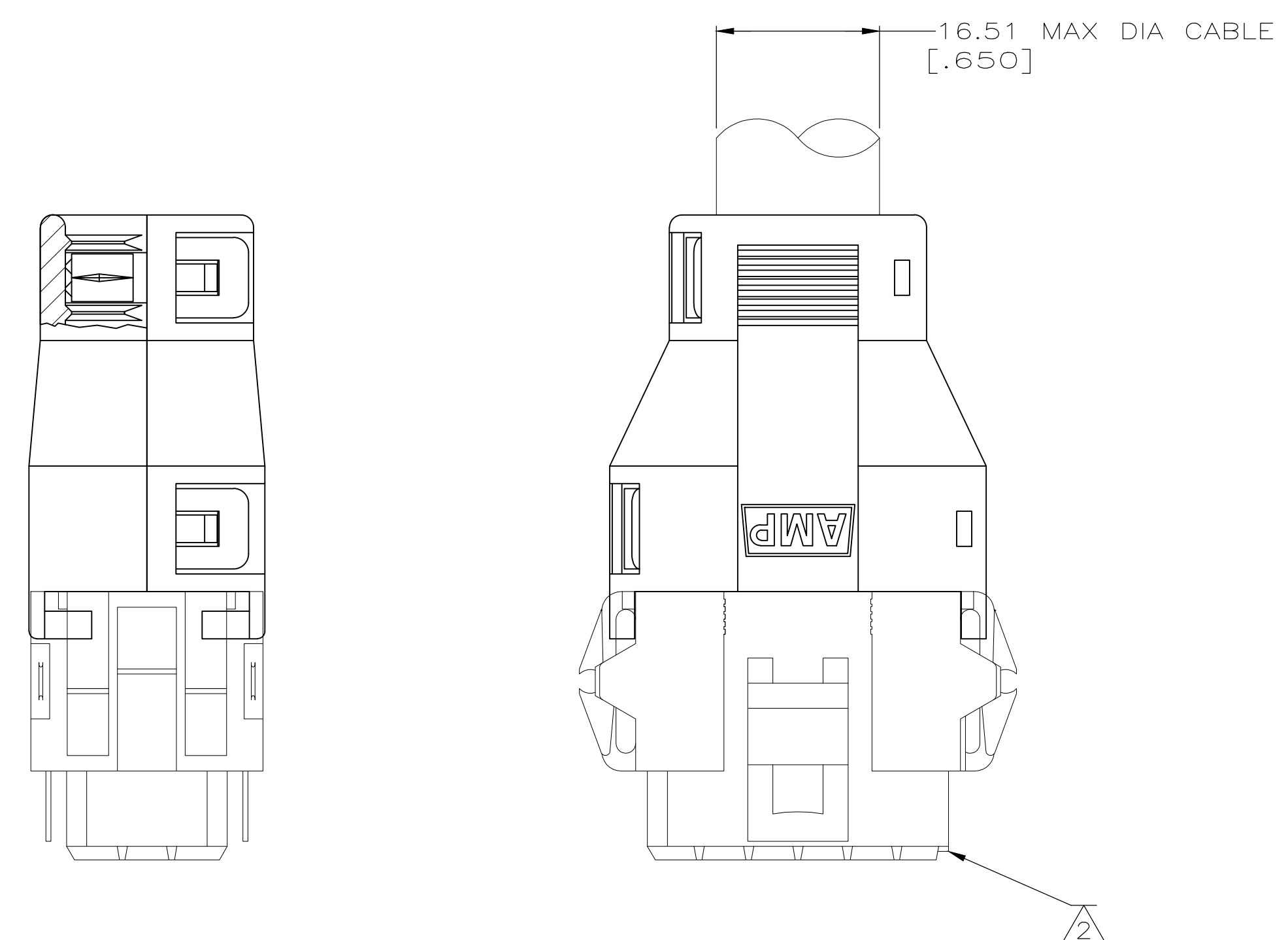
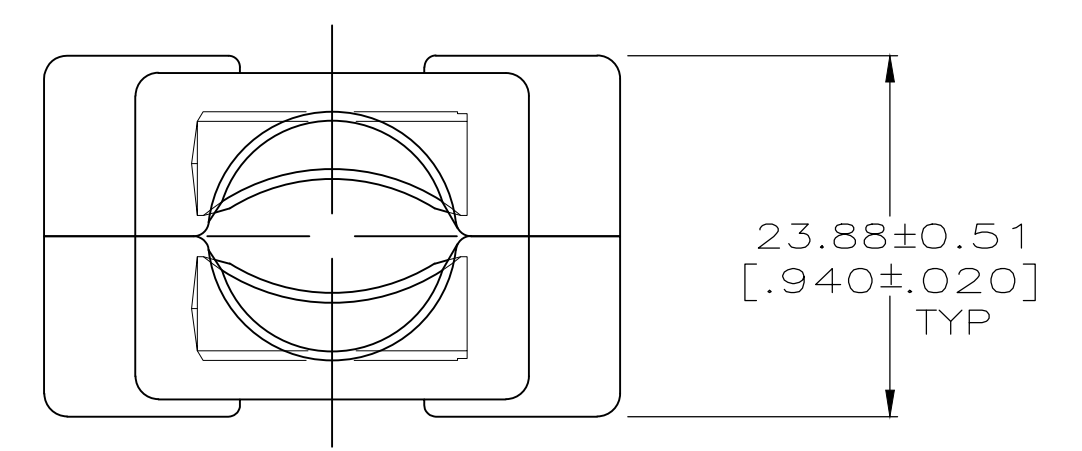


REVISIONS					
P	LTR	DESCRIPTION	DATE	DNW	APVD
E		REVISED PER ECO-20-002047	24FEB2020	RK	MZ



- ▲ A VARIETY OF CABLE GATES ARE PROVIDED TO ACCOMMODATE A VARIETY OF CUSTOMER CABLE SIZES.
- ▲ PLUG SHOWN FOR REFERENCE ONLY, STRAIN RELIEF CAN BE USED ON EITHER PLUG OR RECEPTACLE.
- ▲ HOUSING MATERIAL: PA66, BLACK, UL 94 V-0 RATED

207603-1
PART NUMBER

THIS DRAWING IS A CONTROLLED DOCUMENT.		DIN J McCLINTON 1-25-92		R STONE 1-29-92		APVD		NAME		TE Connectivity	
DIMENSIONS: INCHES		TOLERANCES UNLESS OTHERWISE SPECIFIED:		PRODUCT SPEC		APPLICATION SPEC		SIZE		RESTRICTED TO	
0 PLC ± -		1 PLC ± -		108-10033		-		A1		-	
2 PLC ± 0.13[005]		3 PLC ± -		-		-		00779		-	
4 PLC ± -		ANGLES ± -		-		-		207603		-	
MATERIAL		FINISH		WEIGHT		-		CUSTOMER DRAWING		SCALE 2:1 SHEET 1 OF 1 REV E	

单击下面可查看定价，库存，交付和生命周期等信息

[>>TE Connectivity\(泰科\)](#)