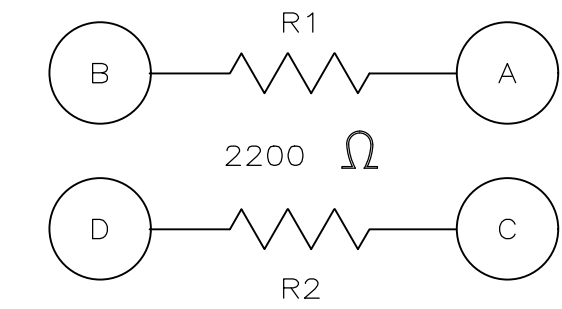
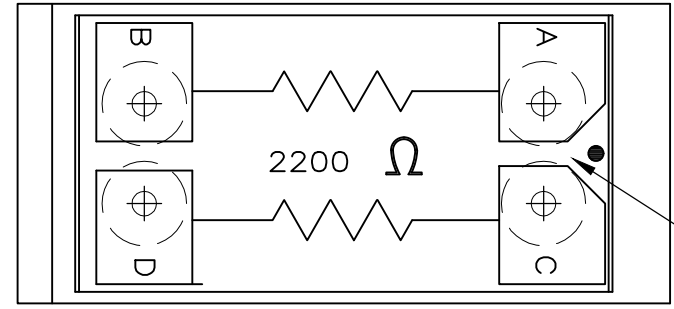
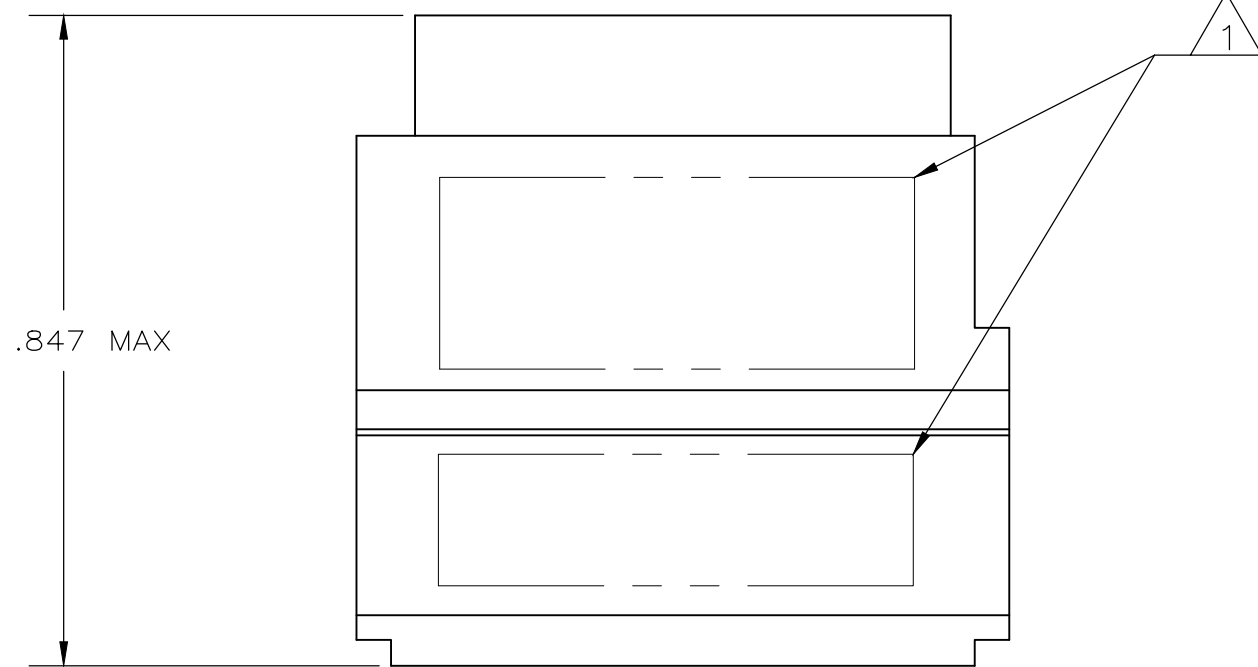


THIS DRAWING IS UNPUBLISHED.		RELEASED FOR PUBLICATION	
© COPYRIGHT - By -		ALL RIGHTS RESERVED.	
DESCRIPTION	MATERIAL	FINISH	
MODULE ASSEMBLY	D.A.P. PER MIL-M14 TYPE SDG-F	COLOR: GREEN	
GROMMET	FLOURSILICONE RUBBER 70/30 BLEND	COLOR: GREEN	
CONTACT SOCKET	BERYLLIUM COPPER ASTM-B194	GOLD PLATE PER MIL-G-45204	
RETAINING CLIP	BERYLLIUM COPPER ASTM-B194 OR STAINLESS STEEL PER QQ-S-766	NONE	
RESISTOR	RLR07C2201JS	NONE	
SEALING PLUGS QTY 2	F.E.P. PER MIL-P-19468	COLOR: RED	
PIN CONTACT QTY = 4 P/N M39029/1-101	COPPER ALLOY PER MIL-C-39029	GOLD PLATE PER MIL-G-45204	

REVISIONS				
P	LTR	DESCRIPTION	DATE	APVD
F		REVISED PER ECO 20-001680	2-7-20	CT VR



SCHEMATIC DIAGRAM
(2) 2200 OHM, 1/4 WATT, ±5%
RLR07C2201JS



1 MARK MODULE ASSEMBLY WITH "TE", TE PART NO., AND DATE CODE .060 MIN HIGH.

591871-1
PART NO.

THIS DRAWING IS A CONTROLLED DOCUMENT.		DWN	16AUG99	STE TE Connectivity	
DIMENSIONS: INCHES		CHK	8-20-99		
TOLERANCES UNLESS OTHERWISE SPECIFIED:		D.MILLER		NAME	
0 PLC ± -		APVD		D.MILLER	
1 PLC ± -		8-20-99		PRODUCT SPEC	
2 PLC ± -		APPLICATION SPEC		SIZE	
3 PLC ± .005		-		CAGE CODE	
4 PLC ± -		-		DRAWING NO	
ANGLES ± -		-		RESTRICTED TO	
MATERIAL	FINISH	WEIGHT	0.000000	A2 00779 C=591871	
SEE TABLE	SEE TABLE	CUSTOMER DRAWING		SCALE	4:1
				SHEET	1 of 1
				REV	F

单击下面可查看定价，库存，交付和生命周期等信息

[>>TE Connectivity\(泰科\)](#)