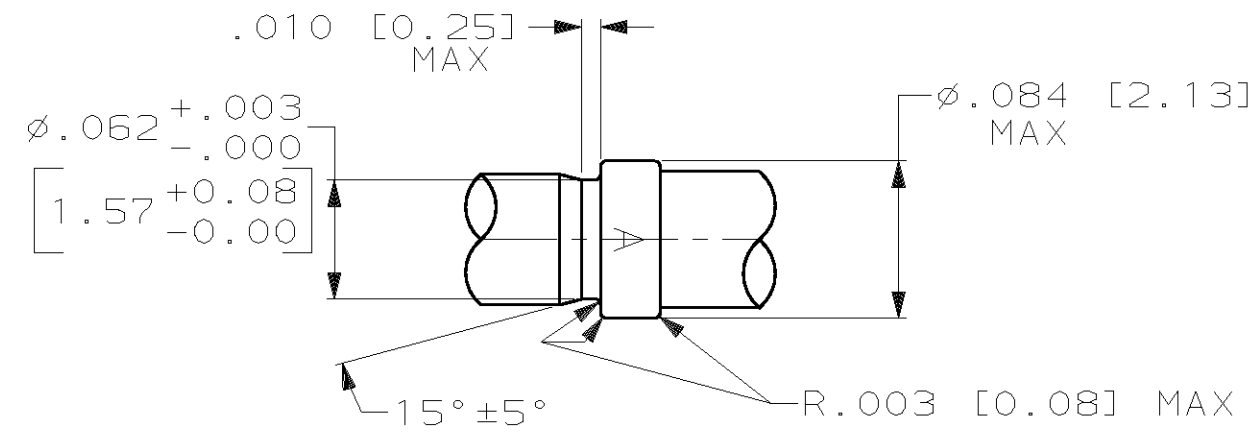
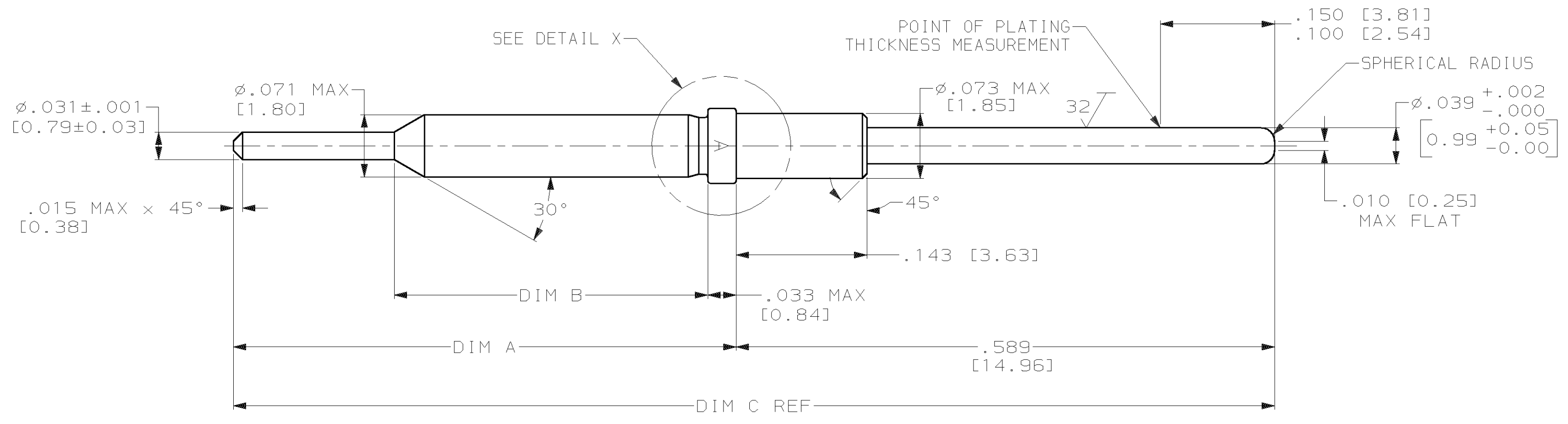


THIS DRAWING IS UNPUBLISHED. RELEASED FOR PUBLICATION
 (C) COPYRIGHT 19 BY AMP INCORPORATED. ALL RIGHTS RESERVED.

LOC		DIST		REVISIONS			
P	LTR	DESCRIPTION	DATE	DWN	APVD		
DF	AO						
E		REV & REDRAWN PER OG3D-0336-01	7-01	CT	JM		



DETAIL X
SCALE 10:1



1.164 [29.57]	368 [9.35]	.575 [14.61]	205547-3
1.139 [28.93]	.343 [8.71]	.550 [13.97]	205547-2
DIM C	DIM B	DIM A	PART NUMBER

THIS DRAWING IS A CONTROLLED DOCUMENT.		DWN	7-23-01	TYCO Electronics Corporation Harrisburg, PA 17105-3608	
DIMENSIONS: INCHES [mm]		CHK	7-23-01		
		APVD	7-23-01		
TOLERANCES UNLESS OTHERWISE SPECIFIED: 0 PLC ± 1 PLC ± 2 PLC ± 3 PLC ±.005 [0.13] 4 PLC ± ANGLES ±2°		NAME	J. MARKEY		
MATERIAL	LEADED COPPER	FINISH	GOLD PER MIL-G-45204 OVER NICKEL PER QQ-N-290	PRODUCT SPEC	-
CUSTOMER DRAWING		APPLIC. SPEC	-	SIZE	A2
SCALE		10:1	SHEET	1 OF 1	REV
SCALE		10:1	SHEET	1 OF 1	REV
SCALE		10:1	SHEET	1 OF 1	REV

单击下面可查看定价，库存，交付和生命周期等信息

[>>TE Connectivity\(泰科\)](#)