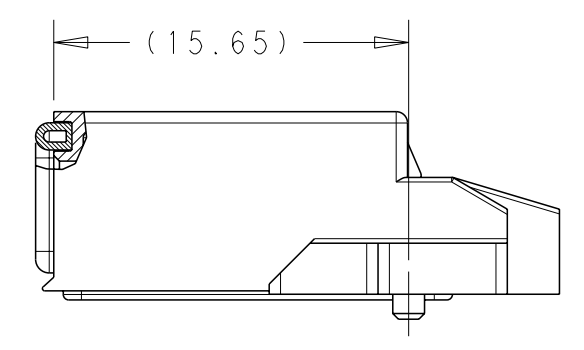
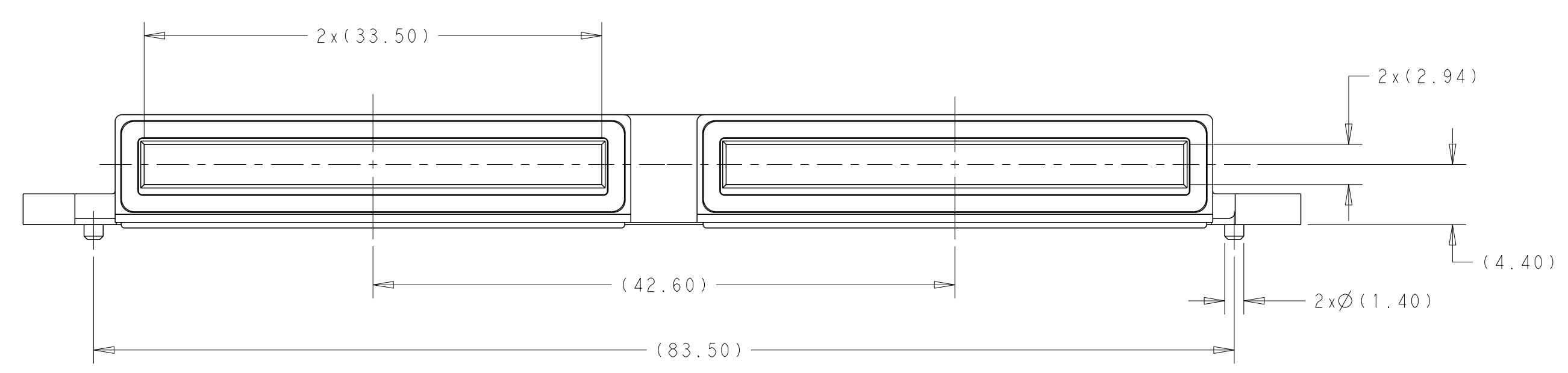
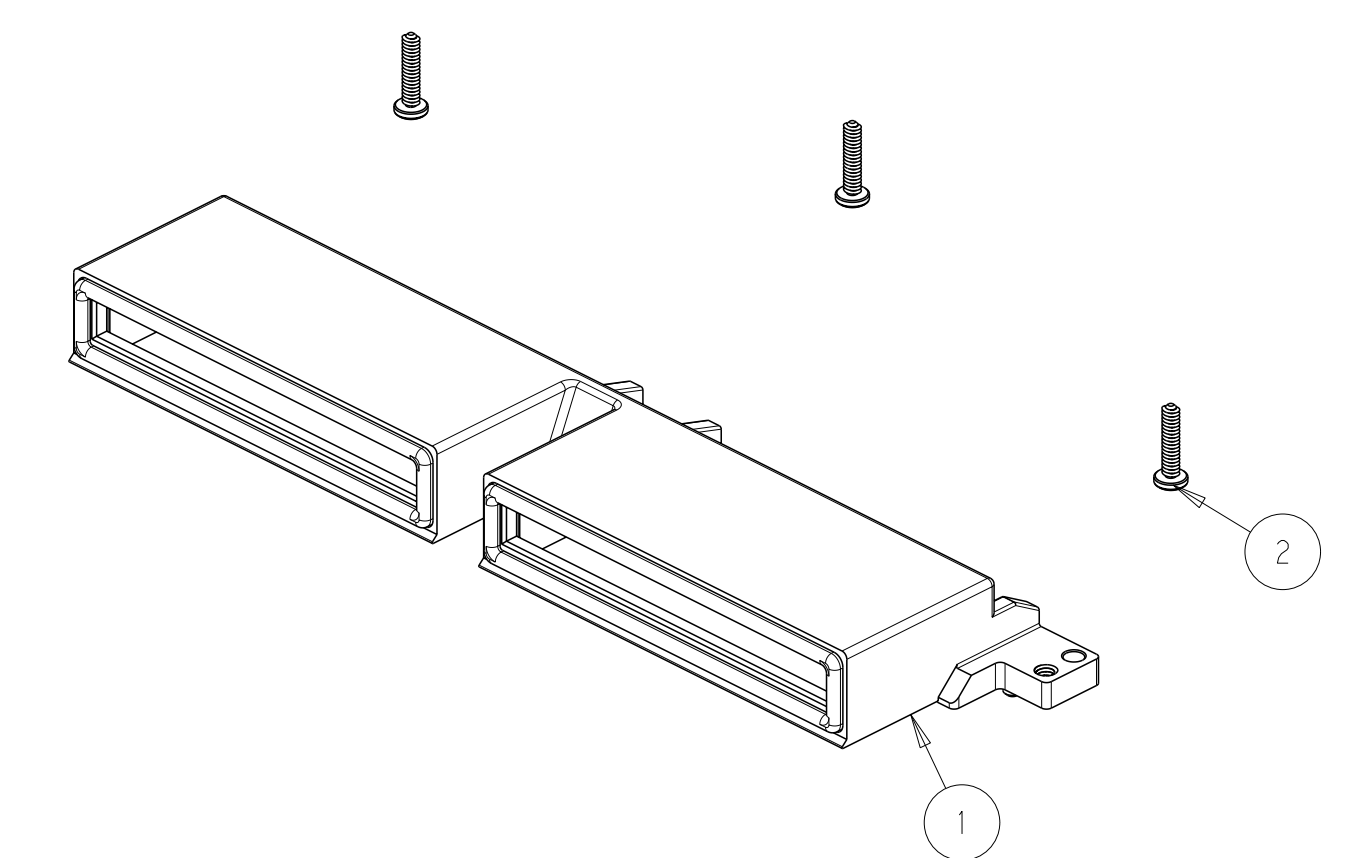
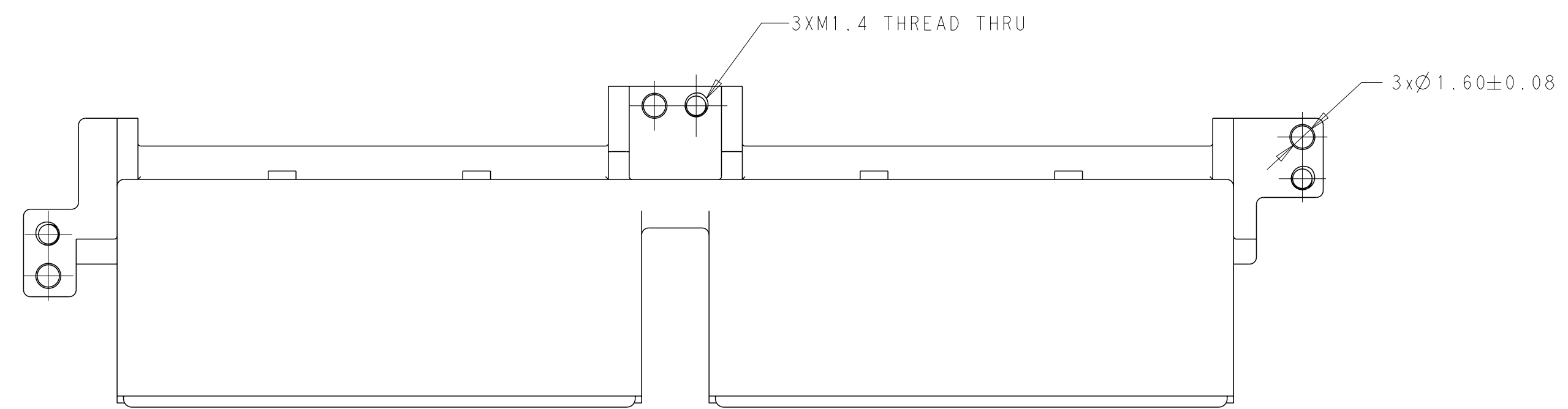
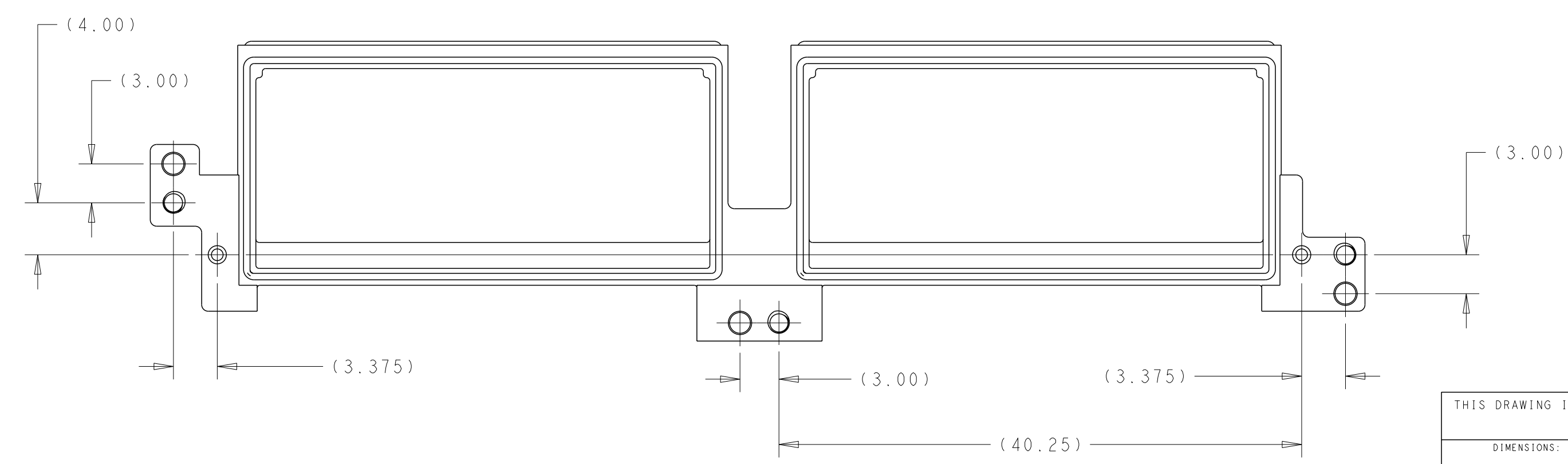


THIS DRAWING IS UNPUBLISHED. RELEASED FOR PUBLICATION 20
 © COPYRIGHT 20 BY - ALL RIGHTS RESERVED.

| REVISIONS | | | | | |
|-----------|-----|--|-----------|-----|------|
| P | LTR | DESCRIPTION | DATE | DWN | APVD |
| A | | INITIAL RELEASE | 10JUL2018 | AD | SH |
| B | | CHANGE GASKETS AND DIE-CAST STRUCTURES | 19MAY2020 | IT | SH |
| | | | | | |



- 1. MATERIAL: RECEPTACLE COVER- ZN/C ALLOY
GASKET: SILICON
SCREW: STAINLESS STEEL
- 2. PLATING: RECEPTACLE COVER- 1.27um NICKEL OVER COPPER PLATED
- 3. PACKAGED AS SEPARATED KITS IN ONE BOX
- 4. MATE WITH MSA COMPLIANT TRANSCEIVER



| | | | |
|----|-------------|------------------|------|
| 3 | 2292789-1 | M1.4X6 SCREW | 2 |
| 1 | 2287077-1 | RECEPTACLE COVER | 1 |
| -1 | PART NUMBER | DESCRIPTION | ITEM |

| | | | | |
|--|--|----------------------------|--|--|
| THIS DRAWING IS A CONTROLLED DOCUMENT. | | DWN ANDY.CIE 01JUN2016 | STE TE Connectivity | |
| DIMENSIONS: mm | | CHK SEAN.HAN 01JUN2016 | | |
| TOLERANCES UNLESS OTHERWISE SPECIFIED: | | APVD SEAN.HAN 01JUN2016 | NAME RECEPTACLE COVER WITH SCREW CFP2 1X2 | |
| 0 PLC ± | | PRODUCT SPEC | SIZE A2 | |
| 1 PLC ±0.25 | | APPLICATION SPEC | CAGE CODE - | |
| 2 PLC ±0.15 | | WEIGHT | DRAWING NO G-2304454 | |
| 3 PLC ±0.10 | | CUSTOMER DRAWING | RESTRICTED TO - | |
| 4 PLC ± | | SCALE 1:1 | SHEET 1 OF 1 | |
| ANGLES ± | | REV B | | |
| FINISH | | | | |
| MATERIAL SEE NOTE | | | | |
| FINISH SEE NOTE | | | | |

单击下面可查看定价，库存，交付和生命周期等信息

[>>TE Connectivity\(泰科\)](#)