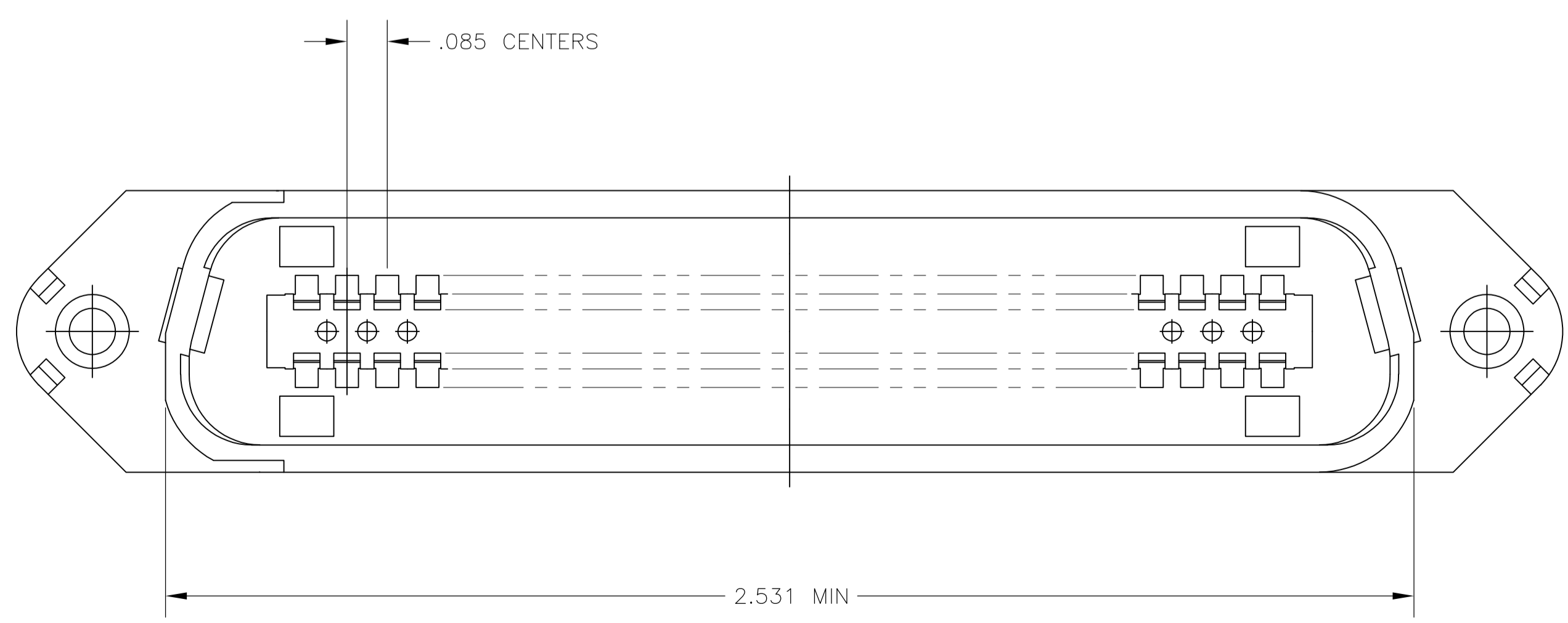
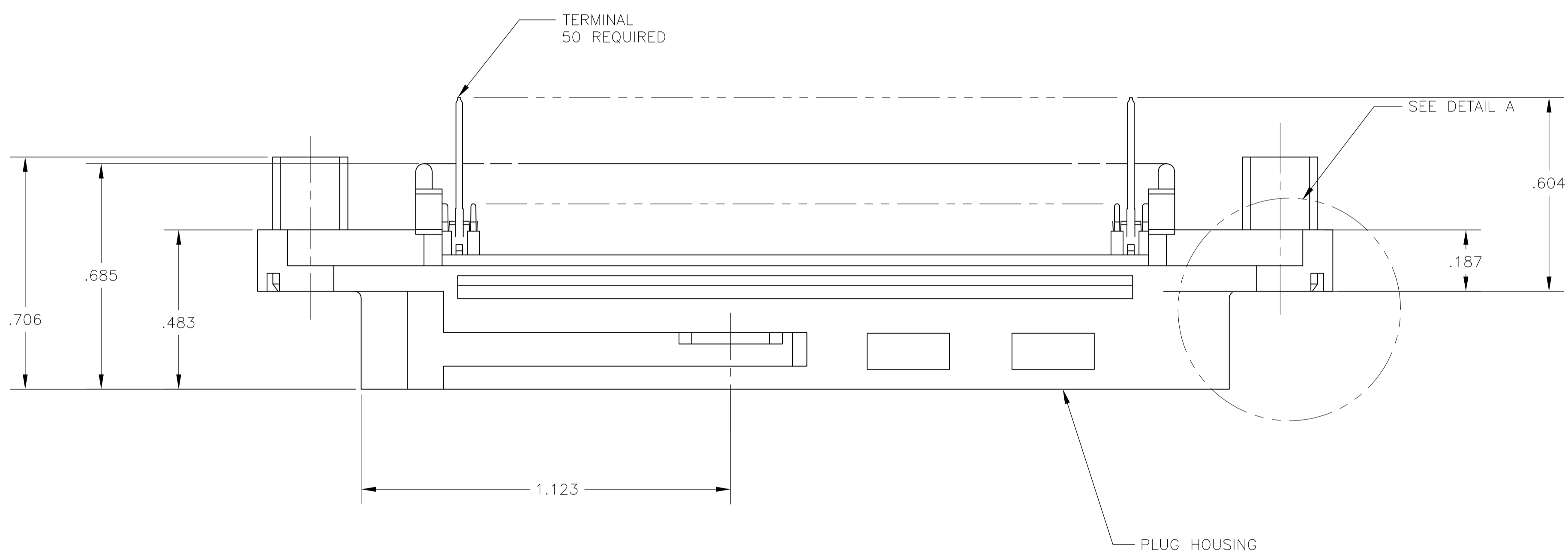
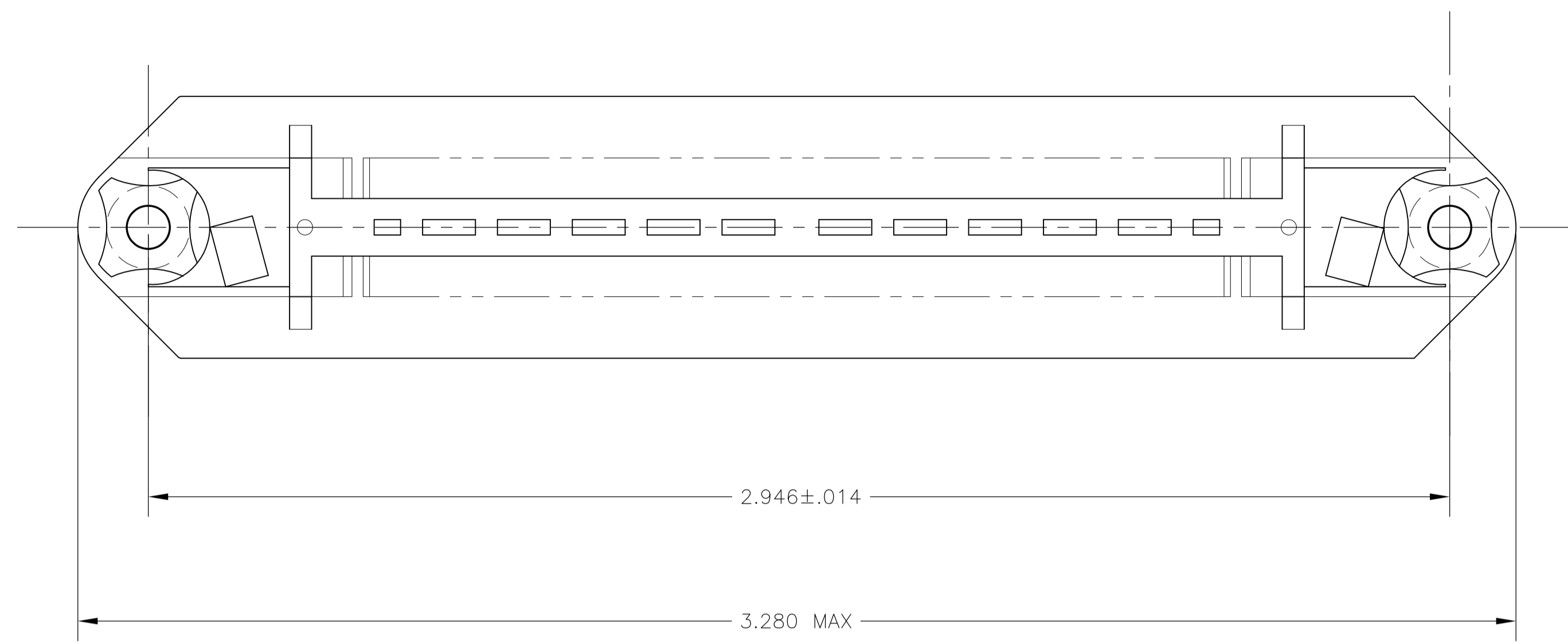
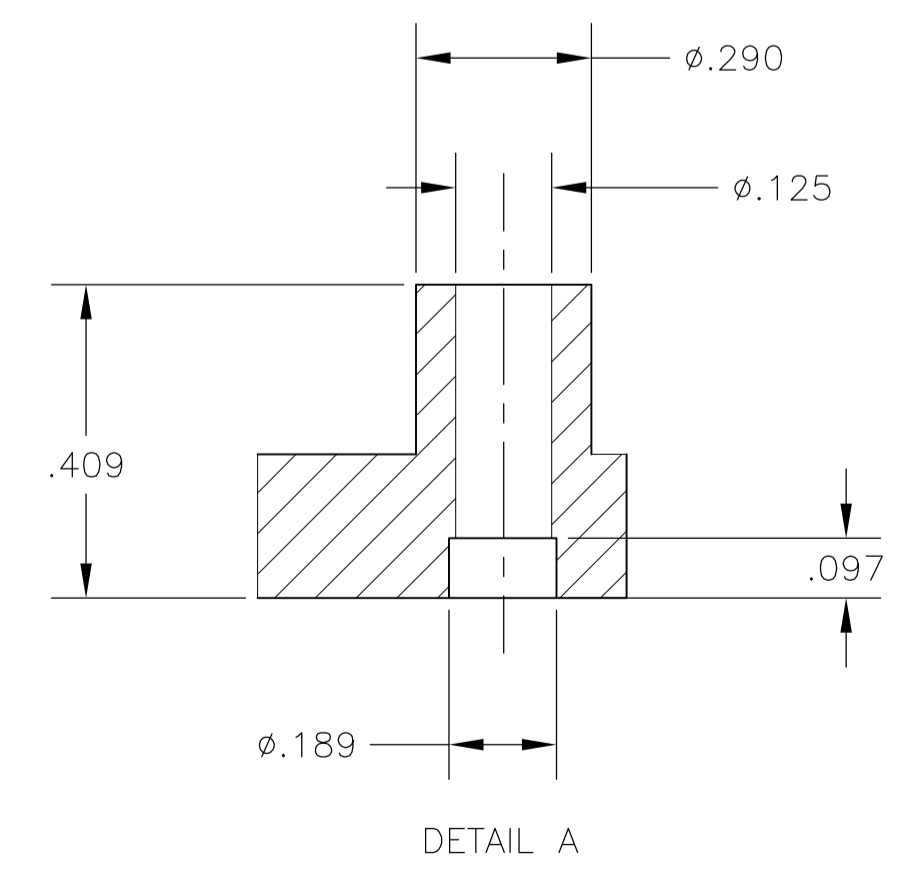
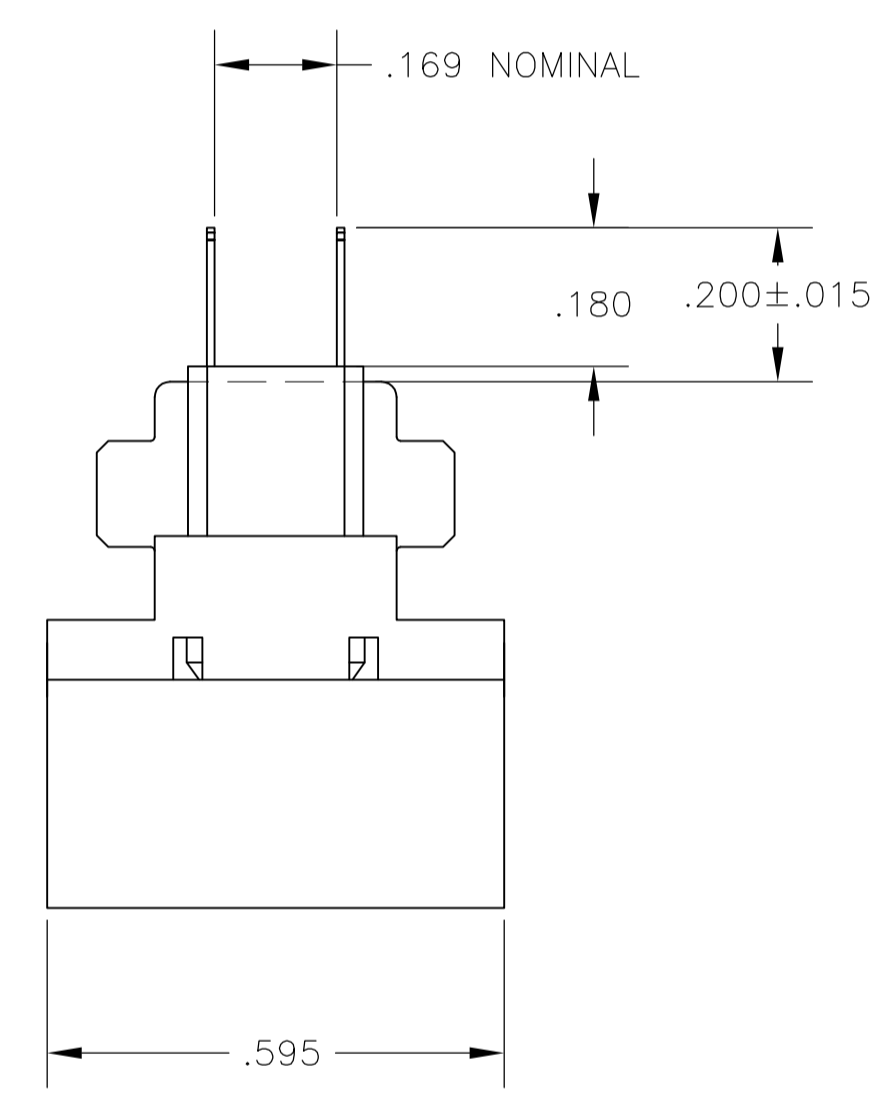


LOC		DIST		REVISIONS			
P	LTR	DESCRIPTION	DATE	DMN	APVD		
B		REVISED PER ECO-08-007327	22JUL08	BM	WM		



1. THE CONTACT SURFACES OF THE TERMINALS ARE COATED WITH LUBRICANT.
2. MATERIAL: HOUSING - POLYESTER, BLACK. TERMINAL - PHOS BRONZE PLATED WITH EITHER .000030 MINIMUM GOLD PLATE OR GOLD FLASH OVER PALLADIUM NICKEL PLATE, .000030 MINIMUM TOTAL ON MATING SURFACE. .000120 MINIMUM MATTE TIN ON TAILS OVER .000050 MINIMUM NICKEL UNDERPLATE OVER ENTIRE TERMINAL.
3. DIMENSIONS ARE MAXIMUM UNLESS OTHERWISE SPECIFIED.
4. HOUSING MATERIAL WILL WITHSTAND 415' FOR 20 SECONDS. MATERIAL PASSES UL94-VO FLAMMABILITY.



5552116-1 PART NUMBER

THIS DRAWING IS A CONTROLLED DOCUMENT.		DIN B. LATTUCA 17AUG05	Tyco Electronics Corporation Harrisburg, PA 17105-3608	
DIMENSIONS: INCHES		CHK W. MILLHIMES 17AUG05	NAME M. WALMSLEY 17AUG05	
TOLERANCES UNLESS OTHERWISE SPECIFIED:		PRODUCT SPEC		
0. PLC	±	APPLICATION SPEC		
1. PLC	±	SIZE		
2. PLC	±	CAGE CODE		
3. PLC	±	DRAWING NO		
4. PLC	±	RESTRICTED TO		
ANGLES	±	WEIGHT		
	±	A1 00779 C=5552116		
MATERIAL		CUSTOMER DRAWING		
FINISH		SCALE 4:1 SHEET 1 OF 1 REV B		

单击下面可查看定价，库存，交付和生命周期等信息

[>>TE Connectivity\(泰科\)](#)