

4

3

2

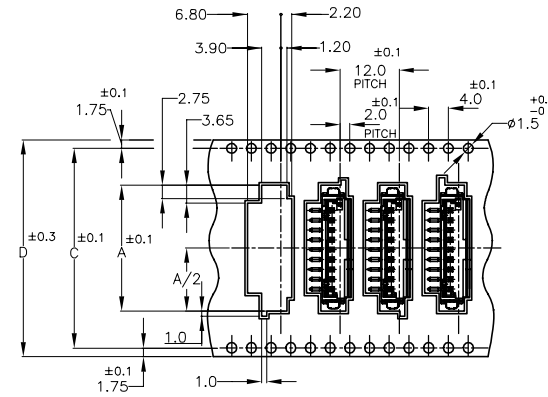
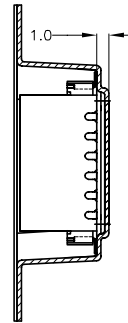
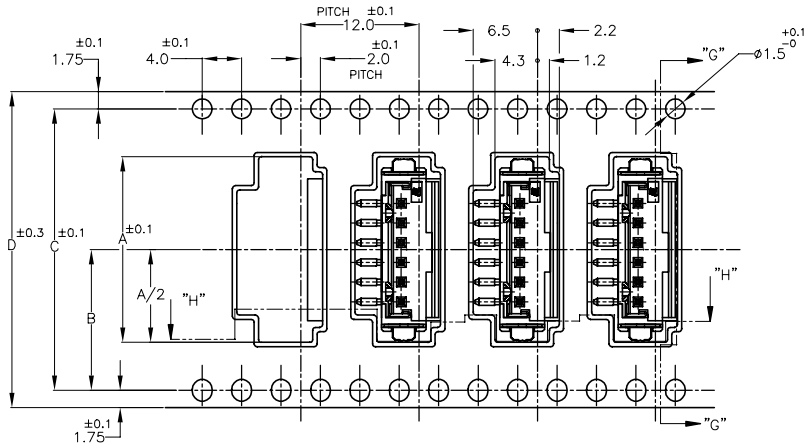
1

© TE Connectivity. All Rights Reserved.

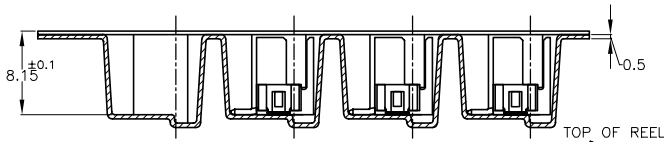
REVISIONS

P	LTR	DESCRIPTION	DATE	DWN	APVD
	B3	ECR-21-101067	06APR2021	T.Q	N.S

(AS SHOWN : -6)



9P ONLY



SECT "H"- "H"

TOP OF REEL

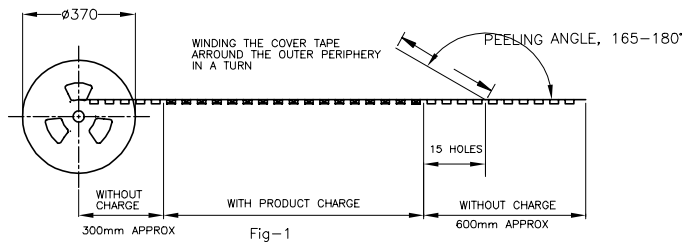


Fig-1

COLOR	PLATE	D	C	B	A	QTY/REEL	POS	TAPING P/N	OBSOLETE	
									9	2-292175-9
BLACK		44.0	40.50	20.25	25.60	9			2-292175-9	
		44.0	40.4	20.2	22.9	8	2-		-8	
		32.0	28.4	14.2	20.9	7	2-		-7	
		32.0	28.4	14.2	18.9	6	2-		-6	
		32.0	28.4	14.2	16.9	5	2-		-5	
		32.0	28.4	14.2	14.9	4	2-		-4	
NATURAL		32.0	28.4	14.2	12.9	3	2-		-3	
	WITH	32.0	28.4	14.2	10.9	700	2		2-292175-2	
		44.0	40.50	20.25	25.60	9			292175-9	
		44.0	40.4	20.2	22.9	8			-8	
		32.0	28.4	14.2	20.9	7			-7	
		32.0	28.4	14.2	18.9	6			-6	
	32.0	28.4	14.2	16.9	5			-5		
	32.0	28.4	14.2	14.9	4			-4		
	32.0	28.4	14.2	12.9	3			-3		
WITH		32.0	28.4	14.2	10.9	700	2		292175-2	

- NOTES:
1. PEELING RESISTANCE: 0.196N(20gf)-0.686N(70gf)  
SPEED: 300mm/min

TOLERANCE UNLESS OTHERWISE SPECIFIED

10>\* ±0.2  
30>\*10 ±0.25  
100>\*30 ±0.3  
ANGLE ±3°

THIS DRAWING IS A CONTROLLED DOCUMENT.

DIMENSIONS: mm

TOLERANCES UNLESS OTHERWISE SPECIFIED:



- 0 PLC ±
- 1 PLC ±
- 2 PLC ±
- 3 PLC ±
- 4 PLC ±
- ANGLES ±
- FINISH ±

MATERIAL

DWN JACH HOU 19SEP10  
CHK MARTIN LI 19SEP10  
APVD STEVEN YAO 19SEP10

NAME

PRODUCT SPEC

APPLICATION SPEC

WEIGHT

CUSTOMER DRAWING



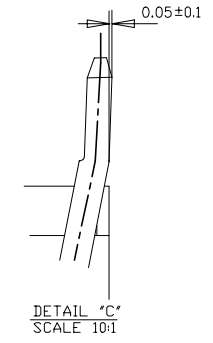
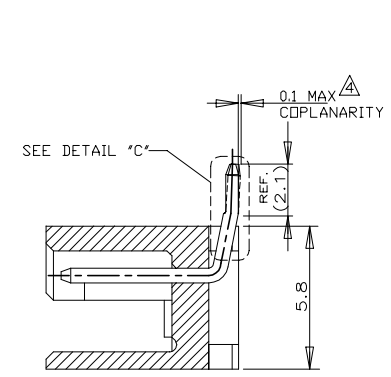
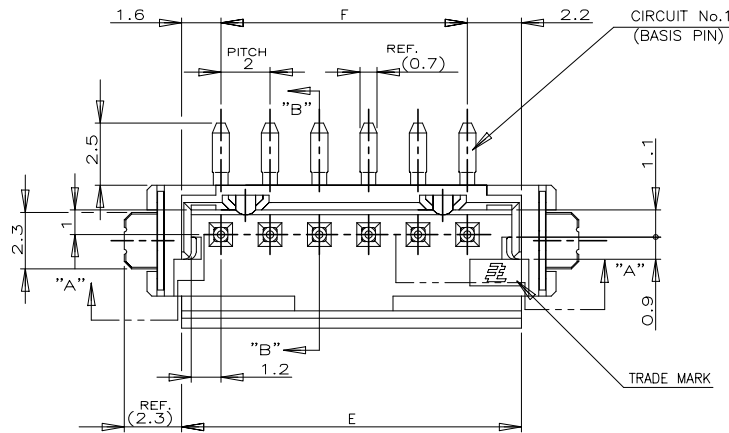
ON TAPING  
TE CT CONNECTOR POST HEADER ASSY  
BOX V SMT

SIZE	CAGE CODE	DRAWING NO	RESTRICTED TO
A3	00779	C-292175	-

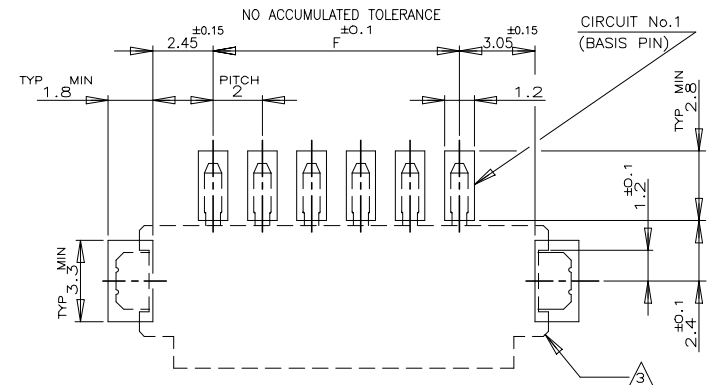
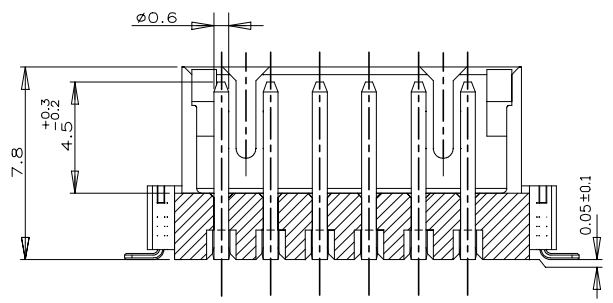
SCALE	SHEET	REV
1/1	1 of 3	B3

REVISIONS

P	LTR	DESCRIPTION	DATE	DWN	APVD
-	-	SEE SHEET 1	-	-	-

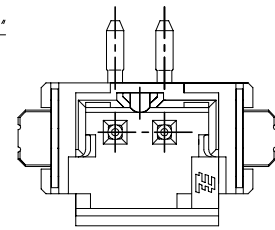
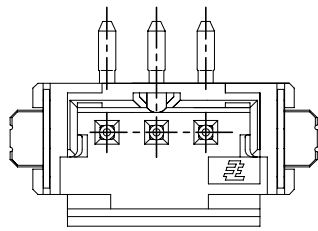


- NOTES:
- MATERIAL:HSG-NYLON (UL94V-0)  
COLOR:NATURAL,BLACK  
POST:TIN BRASS  
TAIL: TIN BRASS
  - △ OCCUPANT AREA ON PC BOARD  
△ TO BE MEASURED WITH CONNECTOR PLACED ON HORIZONTAL DATUM SURFACE, FLOAT OF SOLDER TINE AND TAIL FROM DATUM SURFACE IS 0.1mm MAX



RECOMENOD P.C.BOARD LAYOUT  
(P.C.B THK:0.8mm MIN)

16.0	19.8	9	2-292175-9	292175-9
14.0	17.8	8	2- -8	-8
12.0	15.8	7	2- -7	-7
10.0	13.8	6	2- -6	-6
8.0	11.8	5	2- -5	-5
6.0	9.8	4	2- -4	-4
4.0	7.8	3	2- -3	-3
2.0	5.8	2	2-292175-2	292175-2
F	E	POS.	BLACK	NATURAL
P/N				



TOLERANCES UNLESS OTHERWISE SPECIFIED:  
10\*\* : ±0.2  
30\*\*>10 : ±0.25  
100\*\*>30 : ±0.3  
ANGEL : ±3°

THIS DRAWING IS A CONTROLLED DOCUMENT.

DIMENSIONS:	TOLERANCES UNLESS OTHERWISE SPECIFIED:
mm	
0 PLC	±
1 PLC	±
2 PLC	±
3 PLC	±
4 PLC	±
ANGLES	±
MATERIAL	FINISH

DWN	JACH HOU	19SEP10
CHK	MARTIN LI	19SEP10
APVD	STEVEN YAO	19SEP10
PRODUCT SPEC	108-60016	
APPLICATION SPEC		
WEIGHT		
CUSTOMER DRAWING		



ON TAPING (EMBOSS)  
TE CT CONNECTOR POST HEADER ASS'Y  
(BOX-V SMT W/O BOSS & W/TAI)

SIZE	CAGE CODE	DRAWING NO	RESTRICTED TO
A3	00779	C-292175	-
SCALE		SHEET	REV
		2 of 3	B3

4

3

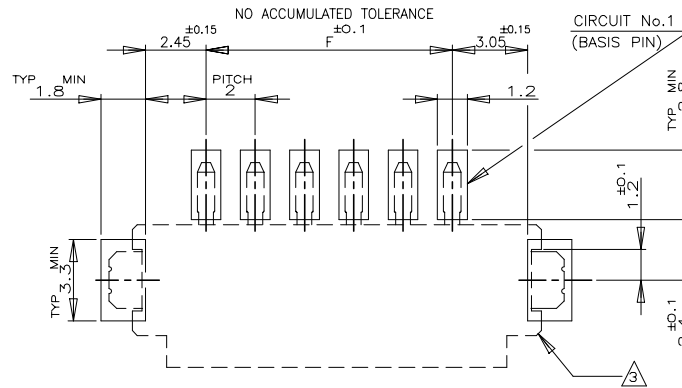
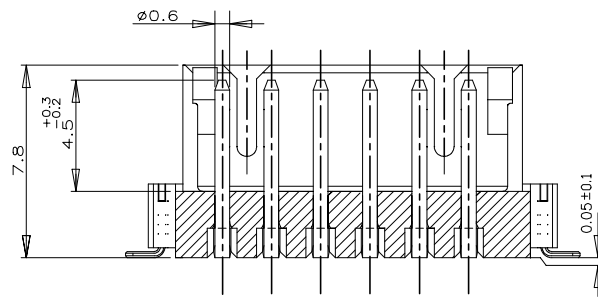
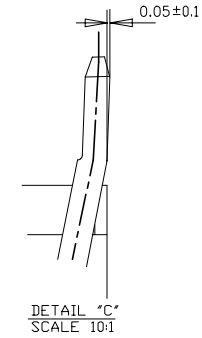
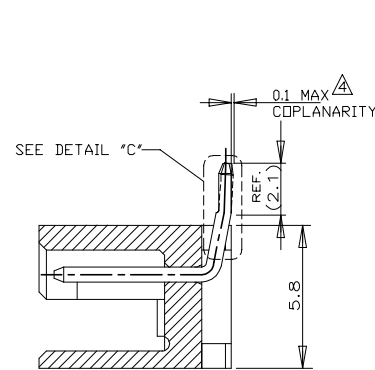
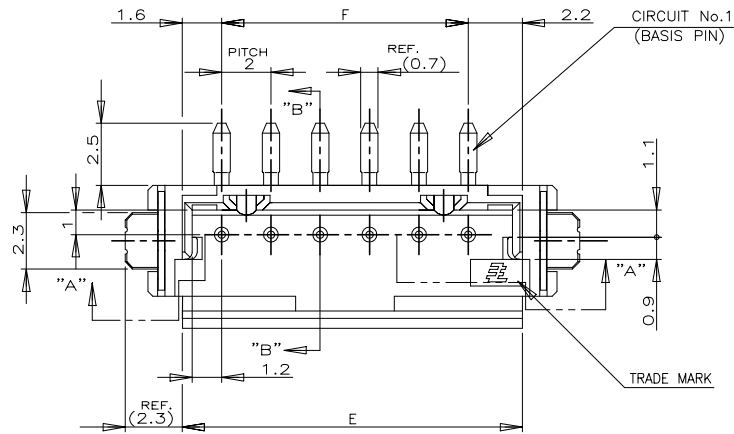
2

1

© TE Connectivity. All Rights Reserved.

REVISIONS

P	LTR	DESCRIPTION	DATE	DWN	APVD
-	-	SEE SHEET 1	-	-	-

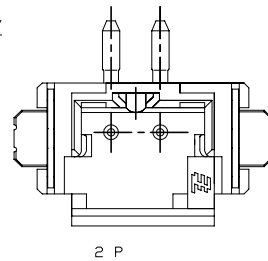
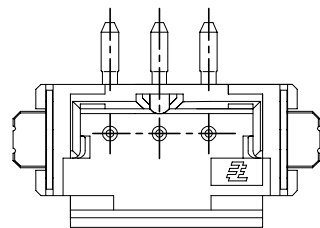


NOTES:

- 2. MATERIAL:HSG-NYLON (UL94V-0)  
COLOR:NATURAL,BLACK  
POST:TIN BRASS  
TAIL: TIN BRASS
- 3. OCCUPANT AREA ON PC BOARD
- 4. TO BE MEASURED WITH CONNECTOR PLACED ON HORIZONTAL DATUM SURFACE, FLOAT OF SOLDER TINE AND TAIL FROM DATUM SURFACE IS 0.1mm MAX

RECOMENGD P.C.BOARD LAYOUT (P.C.B THK:0.8mm MIN)

10.0	13.8	6	2-292175-6	292175-6
F	E	POS.	BLACK	NATURAL
P/N				



TOLERANCES UNLESS OTHERWISE SPECIFIED:

10\*\* : ±0.2

30\*\*>10 : ±0.25

100\*\*>30 : ±0.3

ANGEL : ±3°

THIS DRAWING IS A CONTROLLED DOCUMENT.

DIMENSIONS: mm

TOLERANCES UNLESS OTHERWISE SPECIFIED:

0 PLC	±
1 PLC	±
2 PLC	±
3 PLC	±
4 PLC	±
ANGLES	±
FINISH	±

MATERIAL

DWN	JACH HOU	19SEP10
CHK	MARTIN LI	19SEP10
APVD	STEVEN YAO	19SEP10
PRODUCT SPEC	108-60016	
APPLICATION SPEC		
WEIGHT		
CUSTOMER DRAWING		



ON TAPING (EMBOSS)  
TE CT CONNECTOR POST HEADER ASS'Y  
(BOX-V SMT W/O BOSS & W/TAI)

SIZE	CAGE CODE	DRAWING NO	RESTRICTED TO
A3	00779	C-292175	-
SCALE		SHEET	REV
		3 of 3	B3

单击下面可查看定价，库存，交付和生命周期等信息

[>>TE Connectivity\(泰科\)](#)