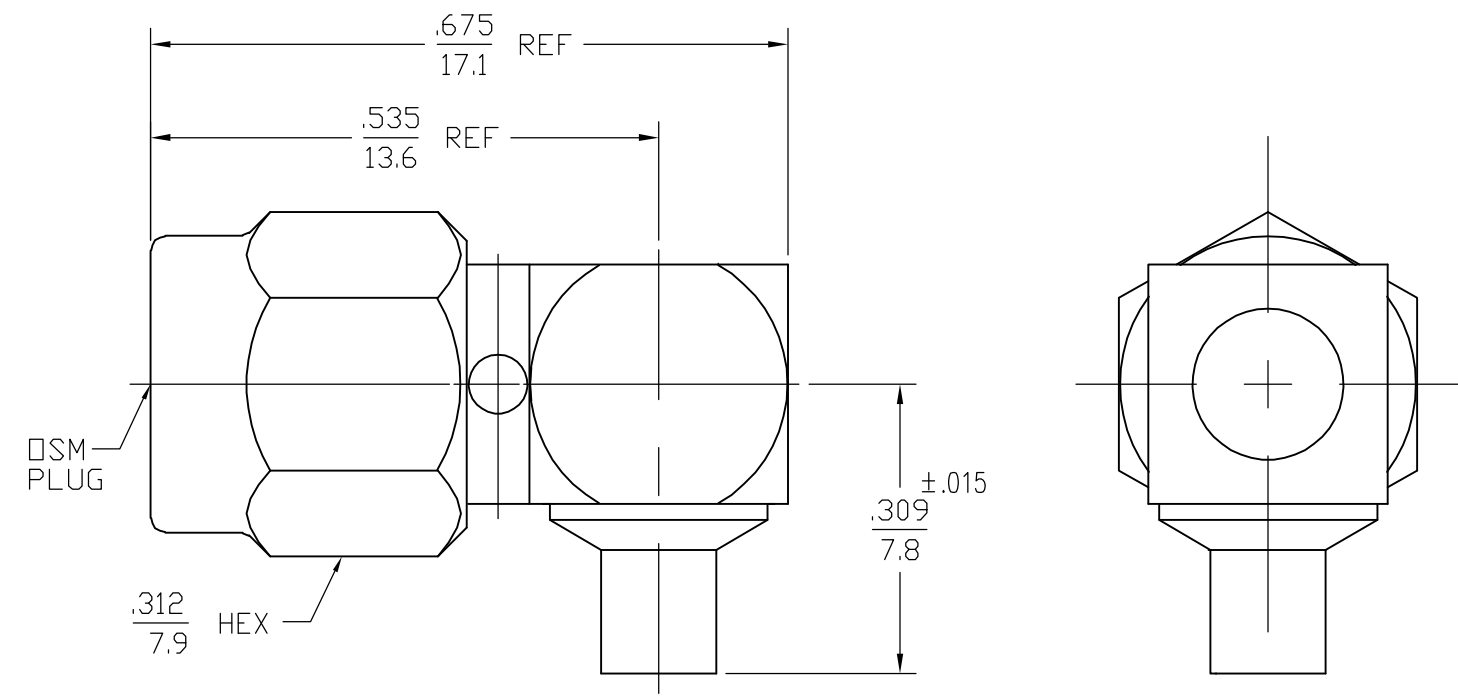


THIS DRAWING IS UNPUBLISHED. RELEASED FOR PUBLICATION
 © COPYRIGHT - BY TYCO ELECTRONICS CORPORATION. ALL RIGHTS RESERVED.

LOC	DIST	REVISIONS					
AJ	16	P	LTR	DESCRIPTION	DATE	DWN	APVD
		B		REVISED PER ECO-05-007687	02SEP05	BM	KW



- DESIGNED FOR USE WITH .085 SEMI-RIGID CABLE. CABLE ENTRY DIAMETER: HOUSING .088 MIN CONTACT .037 MIN
- USE INSTRUCTION SHEET 408-4944.

COUPLING NUT	STAINLESS STEEL PER ASTM-A484 AND ASTM-A582, TYPE 303	PASSIVATE PER ASTM-A380
HOUSING CAP	STAINLESS STEEL PER ASTM-A484 AND ASTM-A582, TYPE 303	GOLD PLATE PER MIL-G-45204
DIELECTRIC	TFE FLUOROCARBON PER ASTM-D-1457	N/A
CENTER CONTACT	BERYLLIUM COPPER PER ASTM B 196, ALLOY C17300, CONDITION H	GOLD PLATE PER MIL-G-45204
RETAINING RING	BERYLLIUM COPPER PER ASTM B 194, ALLOY C17200, CONDITION H	N/A
GASKET	SILICONE RUBBER PER ZZ-R-765	N/A

ELECTRICAL	MECHANICAL	ENVIRONMENTAL
Nominal Impedance (Ohms) 50	Interface Dimensions MIL-STD-348A, Fig. 310.1	TEMPERATURE RATING -65°C TO +165°C
Frequency Range (GHz) DC to 18	Recommended Mating Torque 7-10 in-lbs	Vibration MIL-STD-202, Method 204, Condition D.
Volt Rating (VRMS MAX) @ Sea Level 335	Mating Characteristics:	Shock MIL-STD-202, Method 213, Condition I.
VSWR 1.18 ±.015F (GHz)	Insertion (MAX Lbs) N/A	Thermal Shock MIL-STD-202, Method 107, Condition B, EXCEPT HIGH TEMP +115°C
Insertion Loss (dB MAX) .05 √F(GHz)	Withdrawal (MIN Oz) N/A	Moisture Resistance MIL-STD-202, Method 106
RF Leakage (dB MIN) -90 @ 2-3 GHz	Force to Engage and Disengage (In-Lbs MAX) 2.0	Corrosion - MIL-STD-202, Method 101, Condition B, 5% salt spray
Corona, 70,000 Ft (VRMS MIN) 250	Center Contact Captivation Axial (Lbs) 6.0	
Dielectric Withstanding Voltage (VRMS MIN) @ Sea Level 1,000	Radial (In-Oz) N/A	
Contact Resistance (Milliohms MAX) Center Contact 4.0	Cable Retention Axial Force (Lbs MIN) 30	
Outer Contact 2.0	Torque (In-Oz) 16	
Cable to Housing 0.5	Weight (Grams) TBD	
RF High Potential @ Sea Level (VRMS MIN @ 5 MHz) 670		
I.R.(Megohms MIN) 5,000		

.XXX = in
 XX.X = mm

COMPONENT	MATERIAL	FINISH	PART NUMBER	
THIS DRAWING IS A CONTROLLED DOCUMENT.			1051114-1	
DWN R.B.G. 11-19-76			PART NUMBER	
CHK E.C.A. 11-23-76			1051114-1	
APVD R.M.F. 12-2-76			PART NUMBER	
PRODUCT SPEC			1051114-1	
APPLICATION SPEC			PART NUMBER	
WEIGHT			PART NUMBER	
CUSTOMER DRAWING			PART NUMBER	

tyco Electronics Tyco Electronics Corporation
 Harrisburg, PA 17105-3608

NAME: OSM HIGH FREQUENCY, RIGHT ANGLE CABLE PLUG DIRECT SOLDER

SIZE: A3 CAGE CODE: 00779 DRAWING NO: 1051114-1 RESTRICTED TO: -

SCALE: 5:1 SHEET: 1 of 1 REV: B

单击下面可查看定价，库存，交付和生命周期等信息

[>>TE Connectivity\(泰科\)](#)